

[54] BAKERY TRAY OR THE LIKE
[75] Inventors: James C. Carroll, Hopkinsville, Ky.;
Lewis T. Johnson, Bartlesville, Okla.

D. 240,714 7/1976 White D7/37
3,494,502 2/1970 Roush et al. D9/219
3,581,970 6/1971 Colato D7/37
3,648,883 3/1972 Bridenstine 220/66

[73] Assignee: Phillips Petroleum Company,
Bartlesville, Okla.

Primary Examiner—Joel Stearman
Assistant Examiner—George P. Word
Attorney, Agent, or Firm—Donald J. Quigg

[**] Term: 14 Years

[21] Appl. No.: 715,370

[57] CLAIM

[22] Filed: Aug. 18, 1976

The ornamental design for a bakery tray or the like, as shown and described.

[51] Int. Cl. D9-03

[52] U.S. Cl. D87/1 R

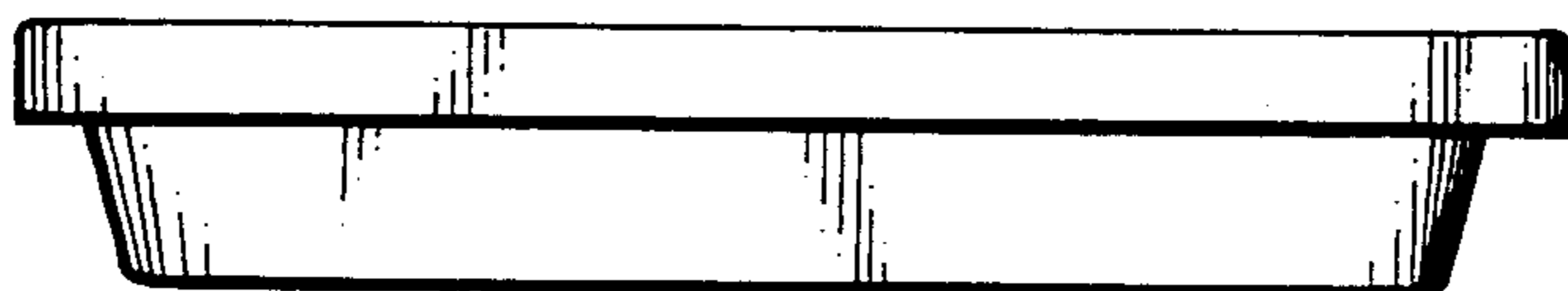
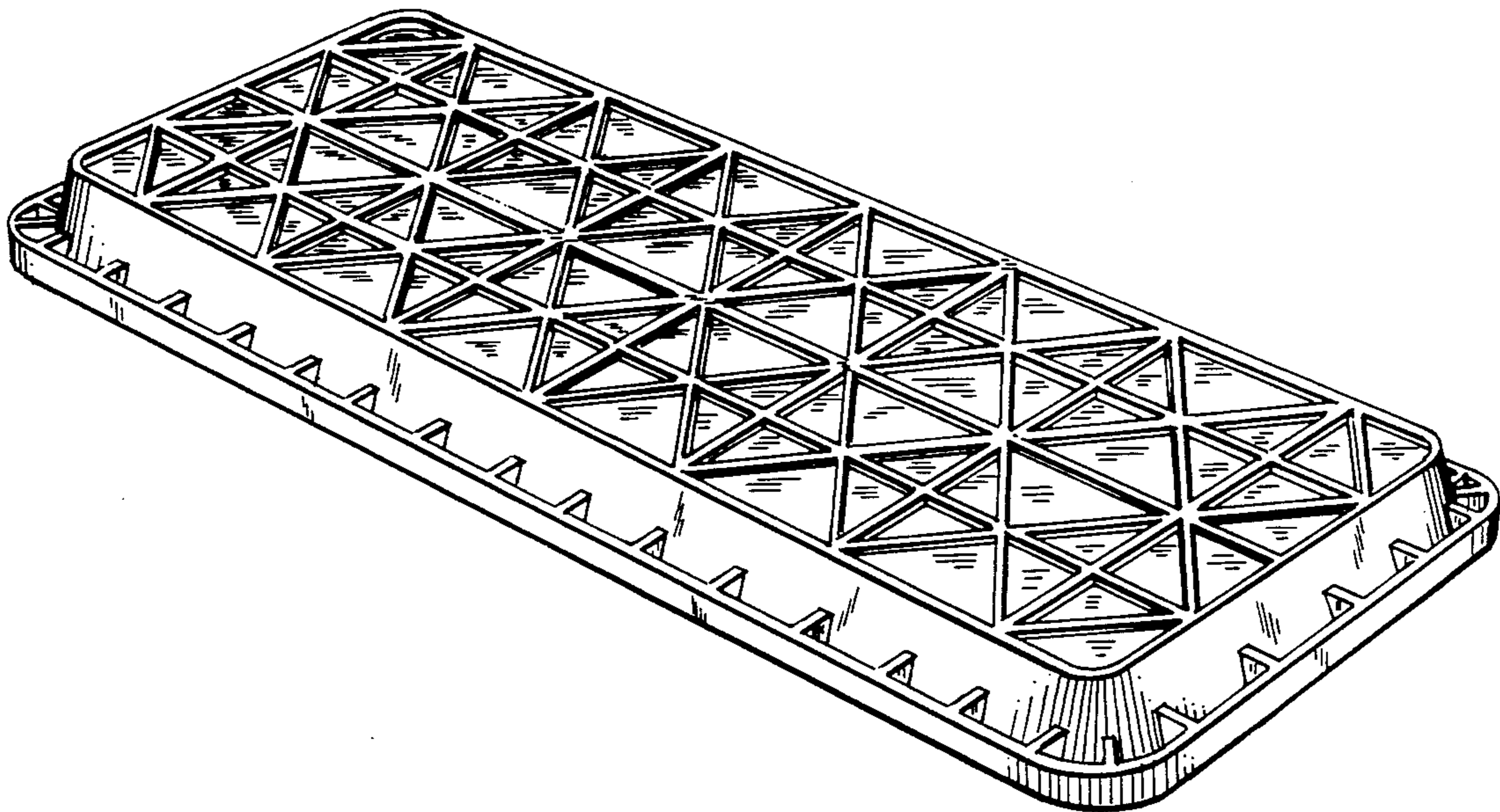
[58] Field of Search D87/1 R; D9/177, 219,
D9/237, 242; 206/503-507, 557; D7/37

DESCRIPTION

FIG. 1 is a top perspective view of a bakery tray or the like showing our new design;
FIG. 2 is a bottom perspective view;
FIG. 3 is a side elevational view, the opposite side being identical thereto;
FIG. 4 is an end elevational view, the opposite end being identical thereto;
FIG. 5 is a top plan view; and
FIG. 6 is a bottom plan view.

[56] References Cited
U.S. PATENT DOCUMENTS

D. 226,457 3/1973 Wilson D87/1 R
D. 227,191 6/1973 Cape D87/1 R
D. 233,373 10/1974 Rehrig D87/1 R



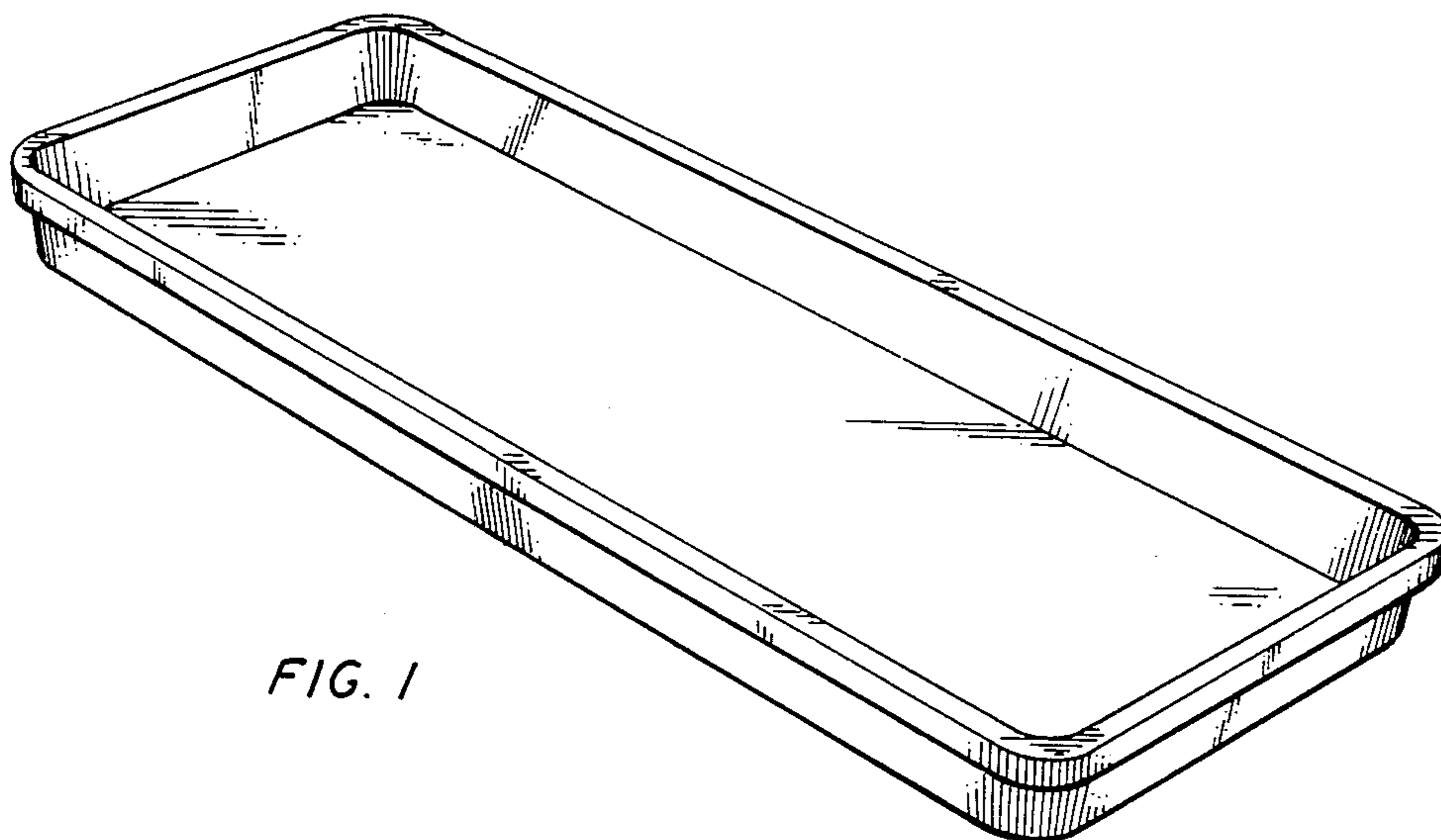


FIG. 1

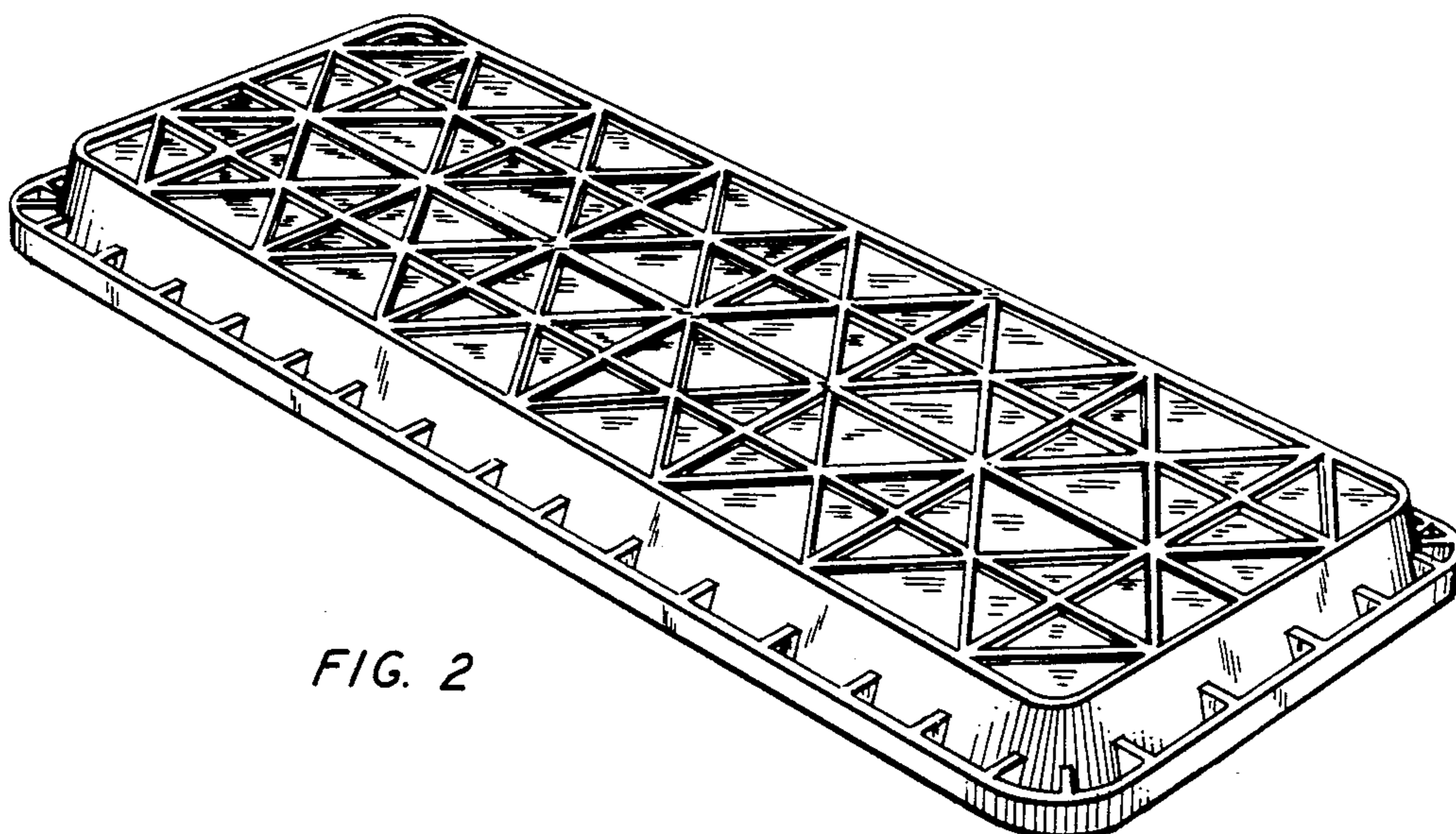


FIG. 2



FIG. 3



FIG. 4

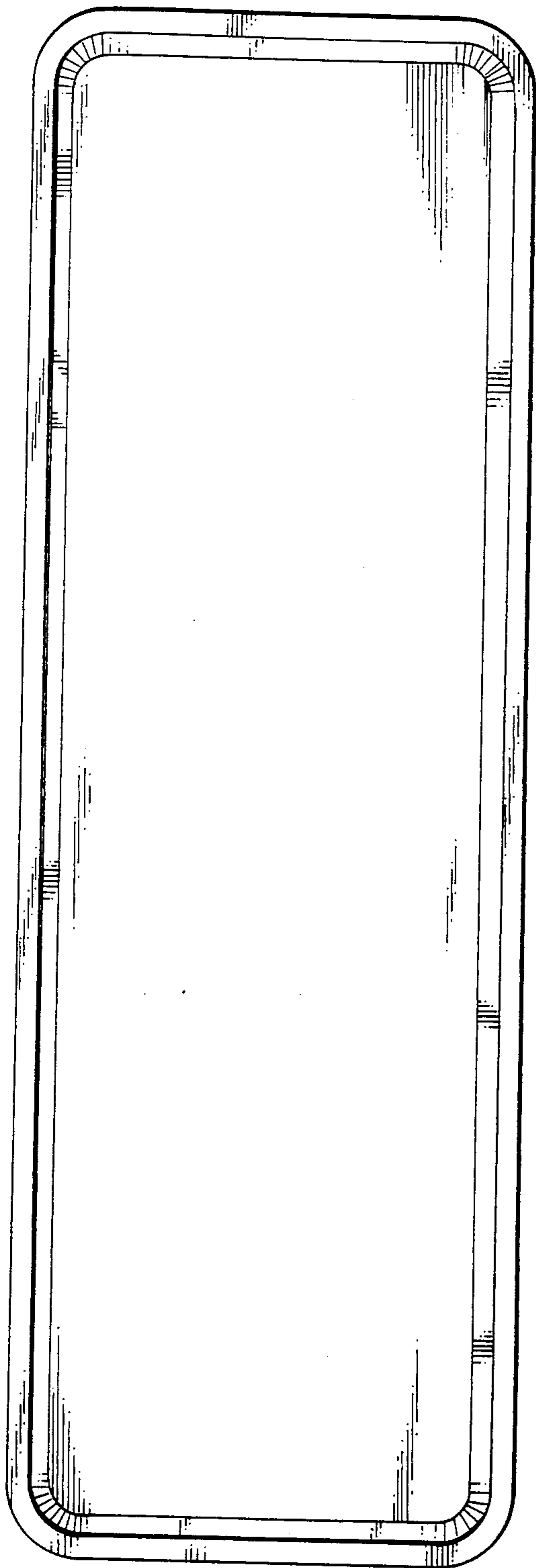


FIG. 5

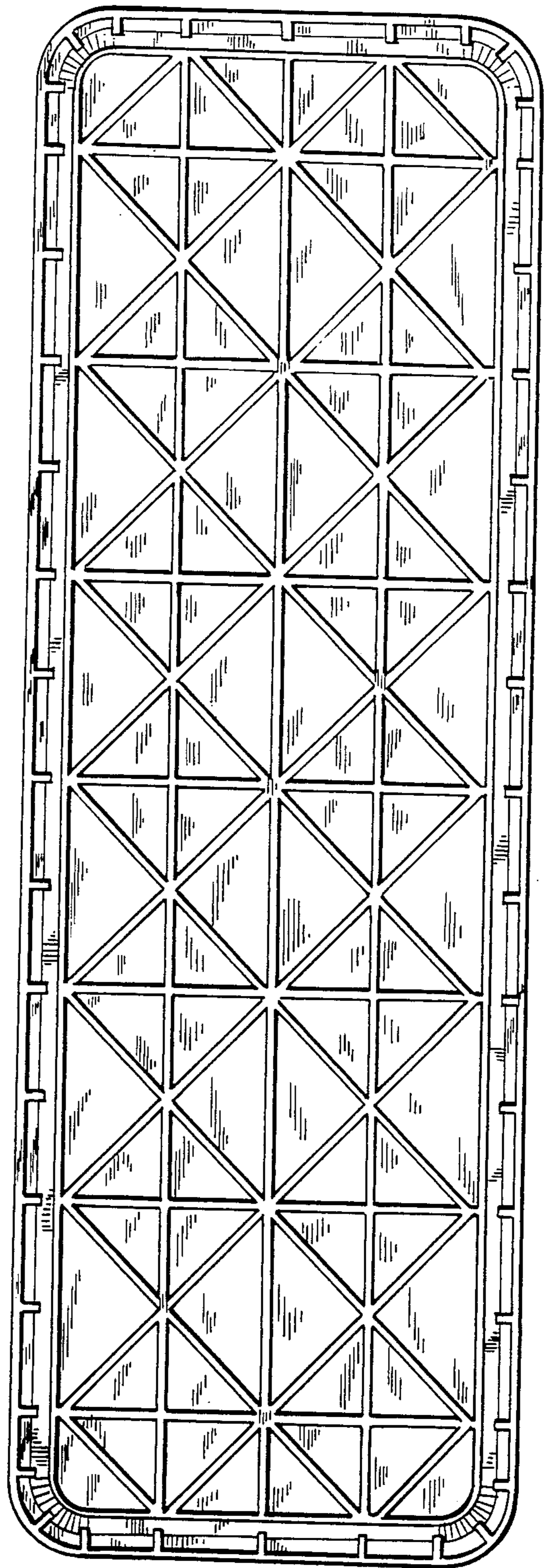


FIG. 6