

[54] STORAGE RACK FOR MAGNETIC TAPE CASSETTES

[75] Inventor: Michael Baden Woodhall, Maidenhead, England

[73] Assignee: Cambra Cases Limited, London, England

[**] Term: 7 Years

[21] Appl. No.: 639,181

[22] Filed: Dec. 9, 1975

[51] Int. Cl. D3-02

[52] U.S. Cl. D87/1 D

[58] Field of Search D6/167-175, D6/181-190, 130; D87/1 D

[56] References Cited

U.S. PATENT DOCUMENTS

D. 130,853 12/1941 Russell D6/189

D. 211,706	7/1968	Blomeyer	D87/1 D
D. 228,715	10/1973	McRae	D6/188
D. 228,995	11/1973	Legresley	D6/188 X
D. 231,063	4/1974	Rafaat	D87/1 D X
3,677,396	7/1972	Staar	D6/189 X

OTHER PUBLICATIONS

"Stako Tape", Pamphlet by Cambra Cases Ltd., rec'd 4-7-1977, cassette case.

Primary Examiner—Bruce W. Dunkins
Attorney, Agent, or Firm—Alvin Browdy

[57] CLAIM

The ornamental design for a storage rack for magnetic tape cassettes, as shown.

DESCRIPTION

FIG. 1 is a right perspective view of the storage rack for magnetic tape cassettes;
FIG. 2 is a top plan view thereof;
FIG. 3 is a left perspective view thereof; and
FIG. 4 is a bottom plan view thereof.

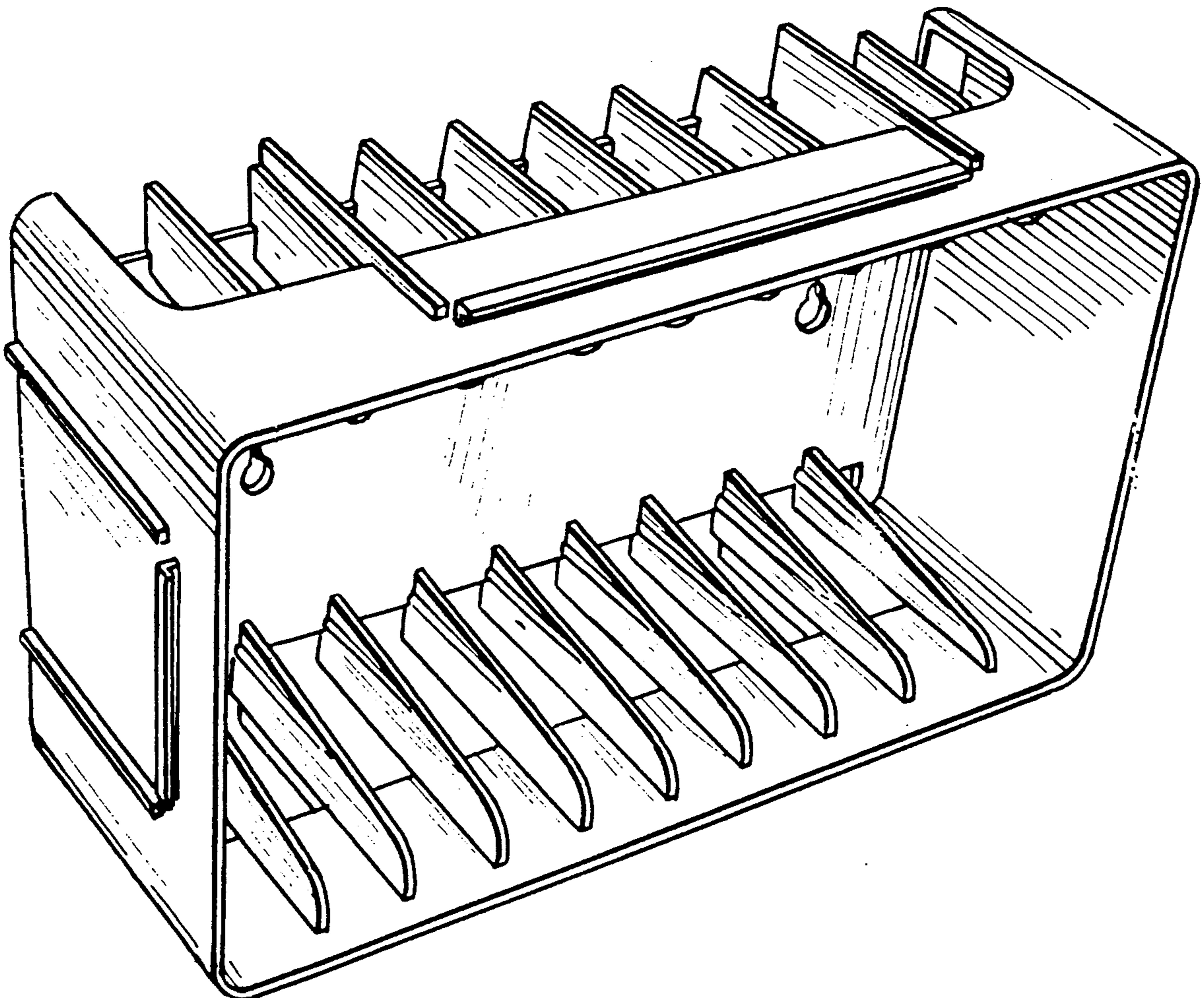


FIG. 1

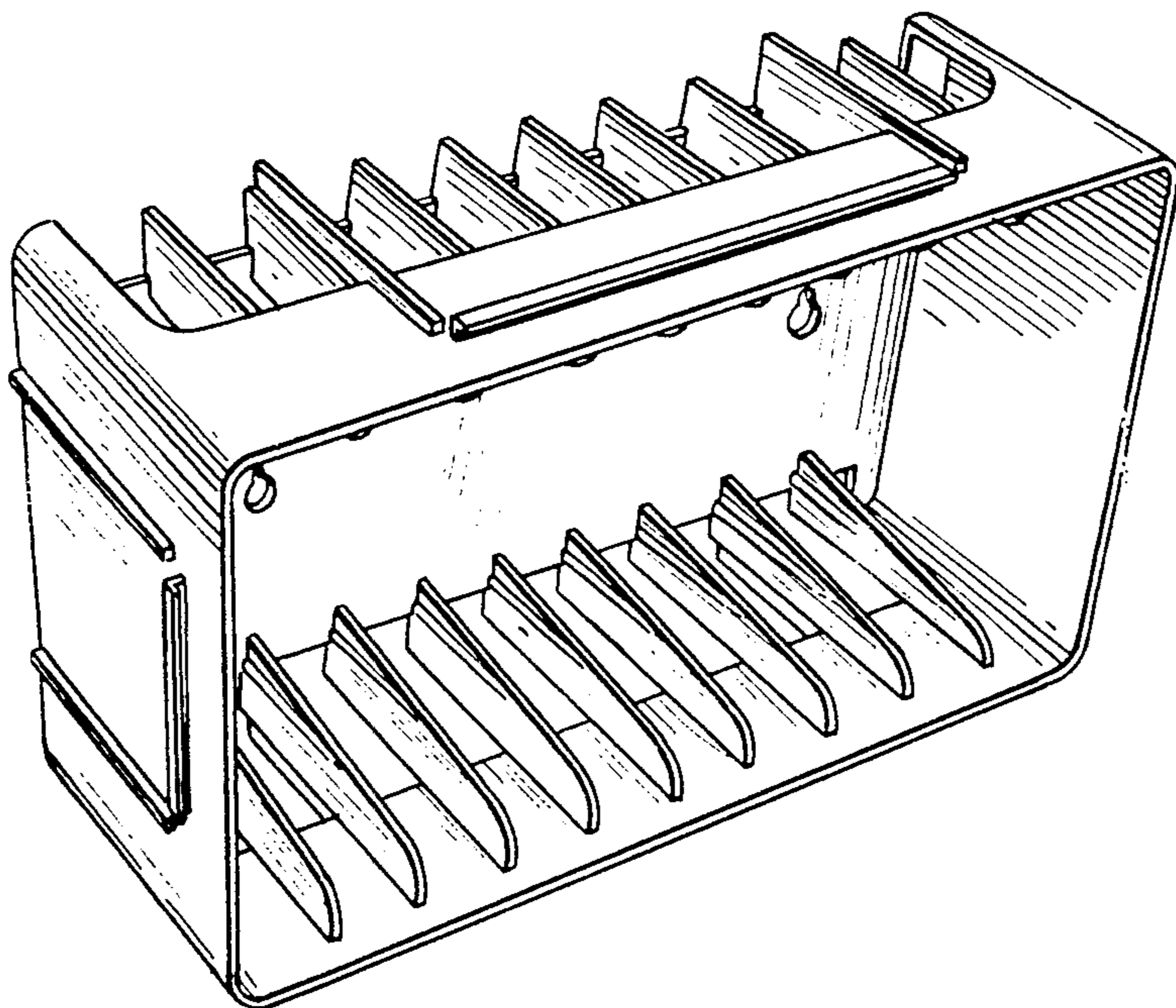


FIG. 2

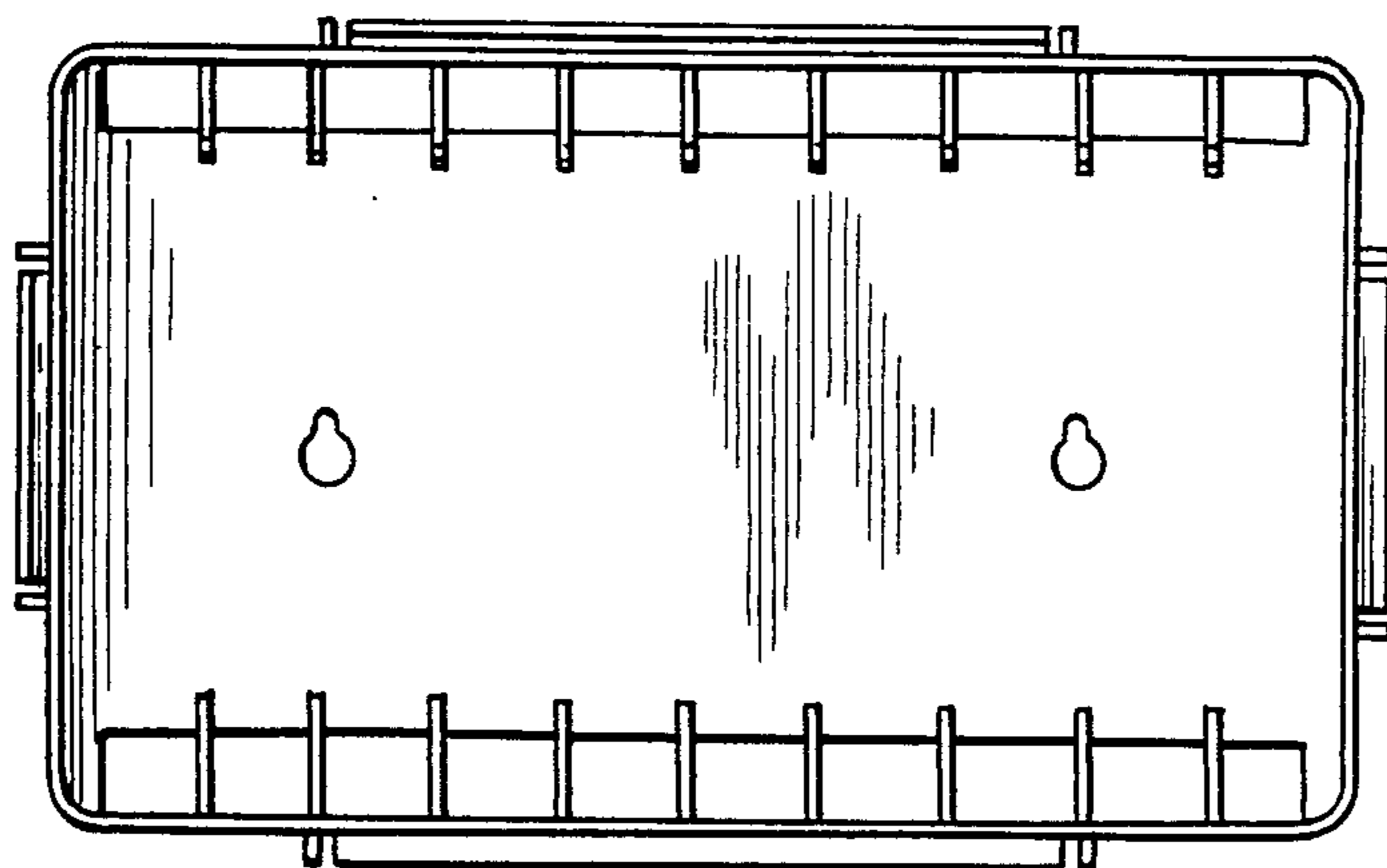


FIG. 3

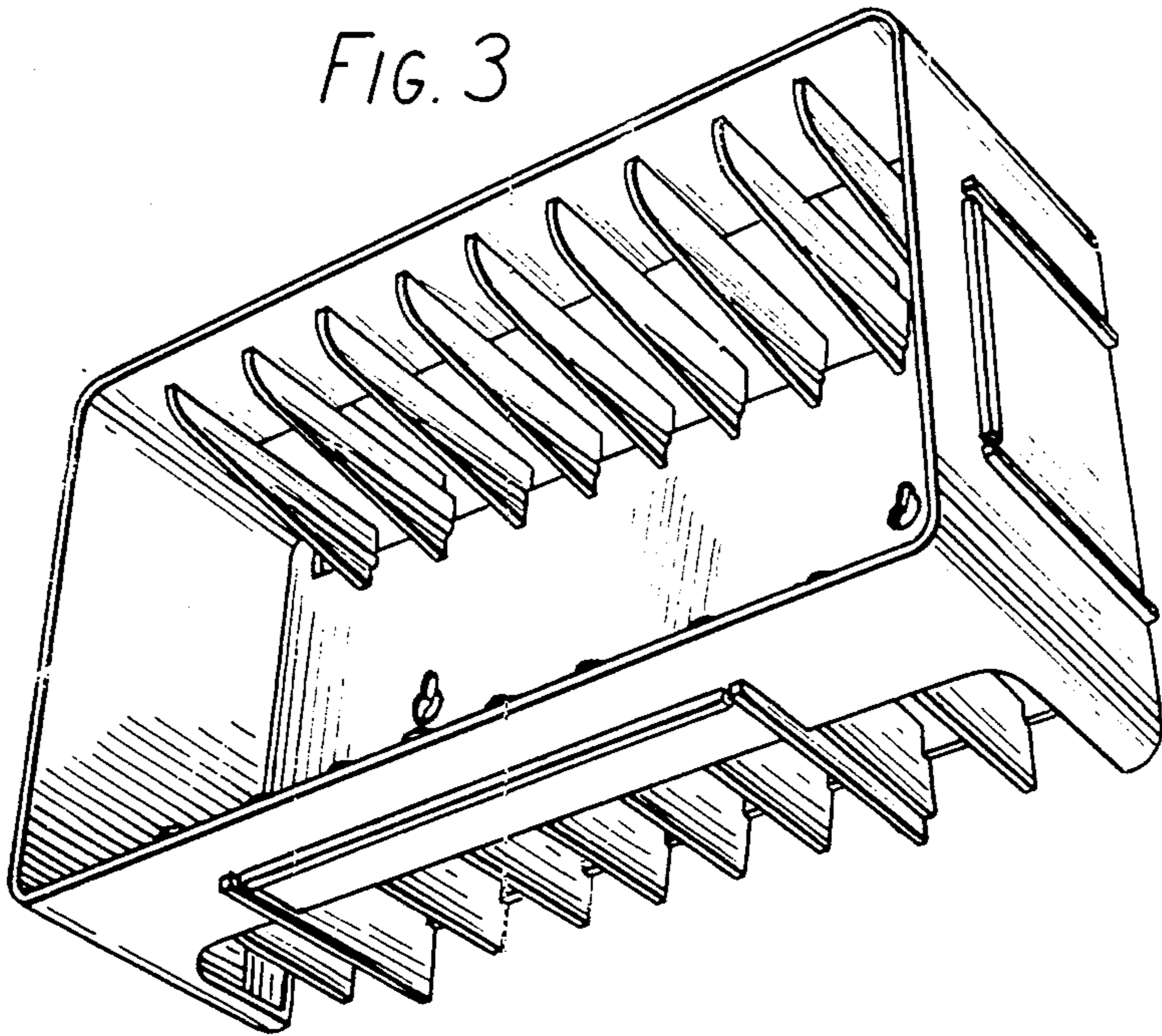


FIG. 4

