

[54] BAR OF SOAP

[76] Inventor: Bernard H. Berman, 685 N. Wade Ave. Extension, Washington, Pa. 15301

[\*\*] Term: 14 Years

[21] Appl. No.: 683,430

[22] Filed: May 5, 1976

[51] Int. Cl. .... D28-02

[52] U.S. Cl. .... D73/1 A

[58] Field of Search ..... D73/1 A; 252/90, 134, 252/174, DIG. 16; D28/56, 61; D34/5 K; D9/38, 44, 45; 272/67, 68

[56] References Cited

U.S. PATENT DOCUMENTS

D. 199,275 9/1964 Du Pree ..... D9/44

1,617,466	2/1927	Tronstad .....	252/92 X
1,936,395	11/1933	Ingram .....	D73/1 A
2,765,484	10/1956	Zagel .....	252/134 X

FOREIGN PATENT DOCUMENTS

710,222	8/1931	France .....	252/134
---------	--------	--------------	---------

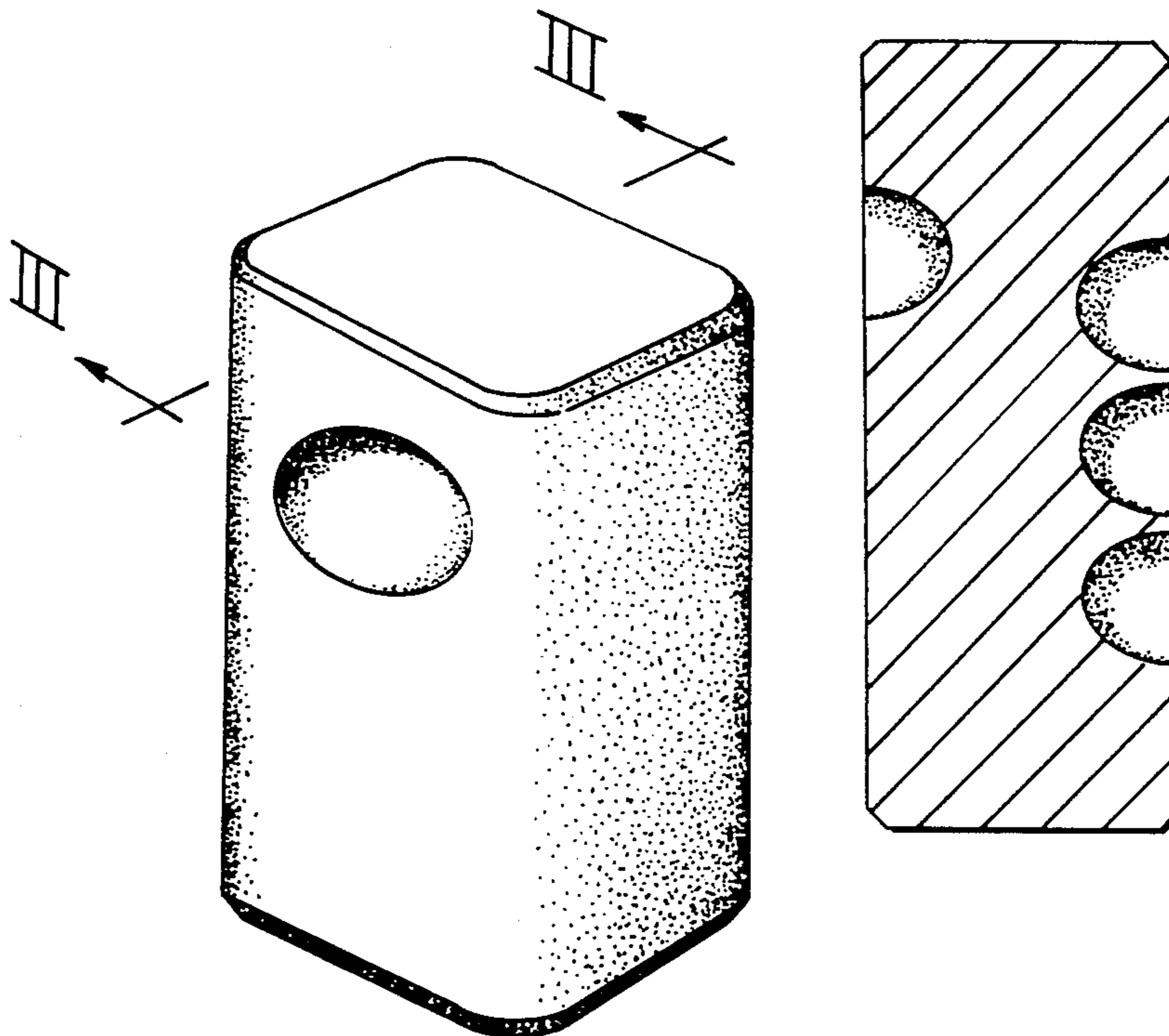
Primary Examiner—Joel Stearman  
Assistant Examiner—Louis S. Zarfes  
Attorney, Agent, or Firm—T. H. Murray

[57] CLAIM

The ornamental design for a bar of soap, as shown.

DESCRIPTION

FIG. 1 is a front perspective view of a bar of soap showing my new design,  
FIG. 2 is a back perspective view of a bar of soap shown in FIG. 1, and  
FIG. 3 is a sectional view taken along lines III—III of FIG. 1.



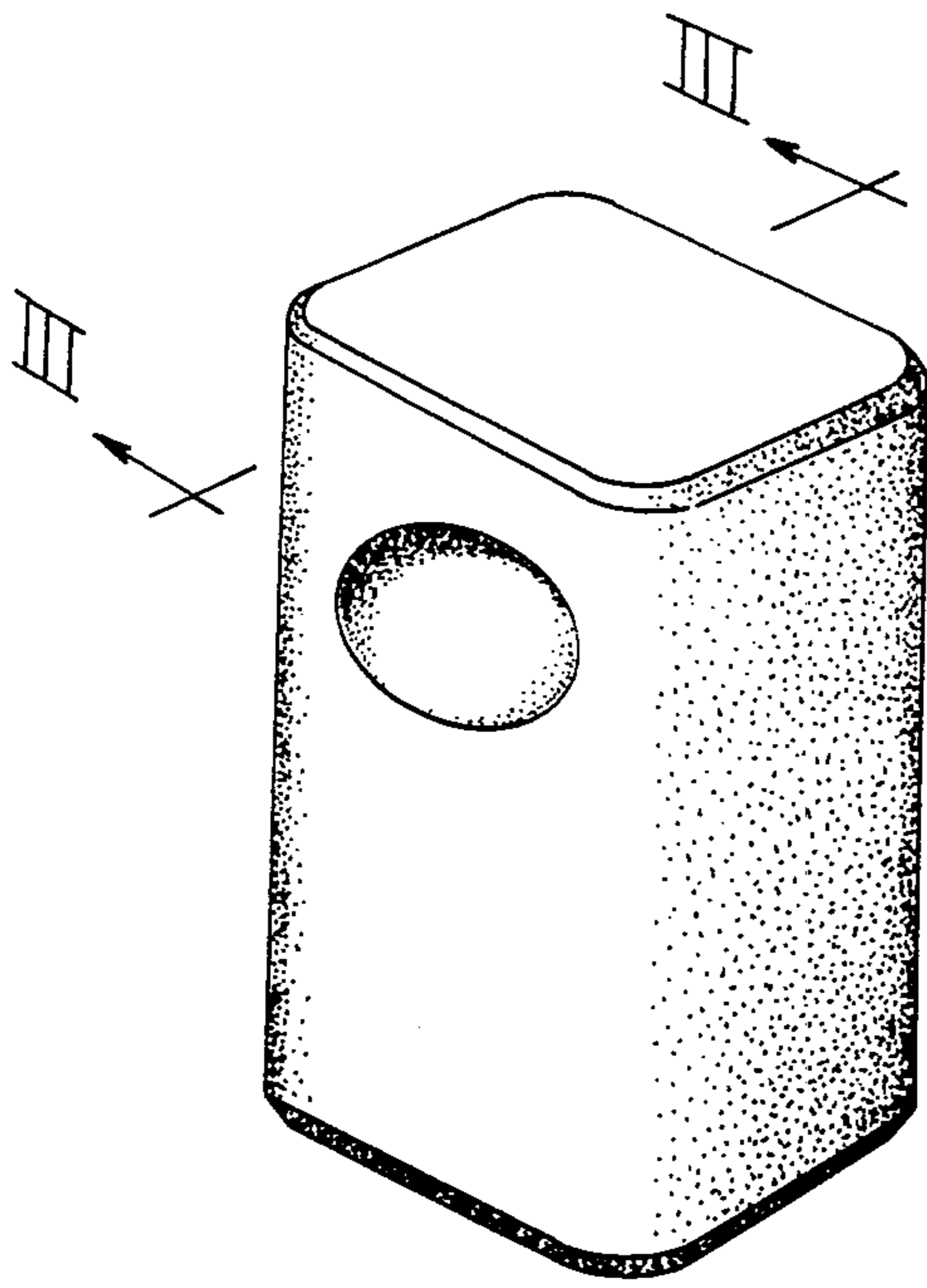


FIG. 1

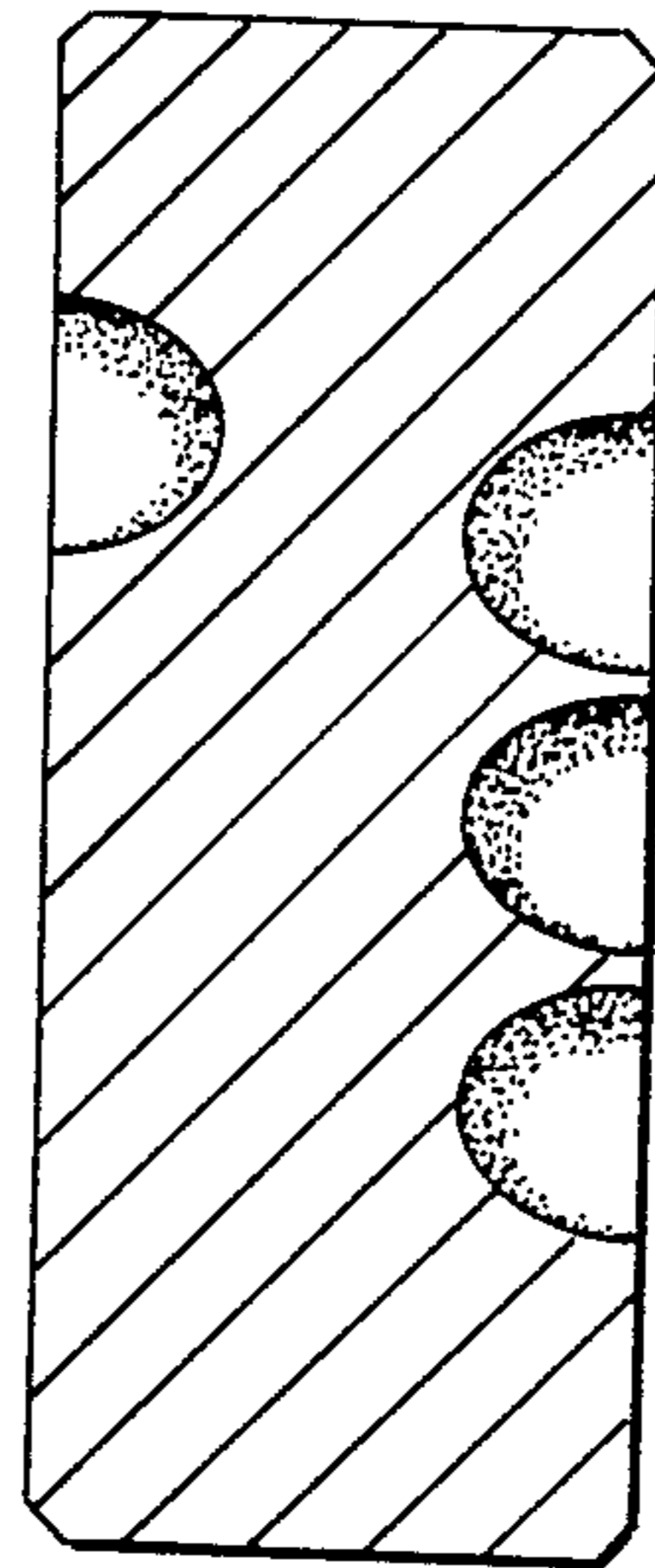


FIG. 3

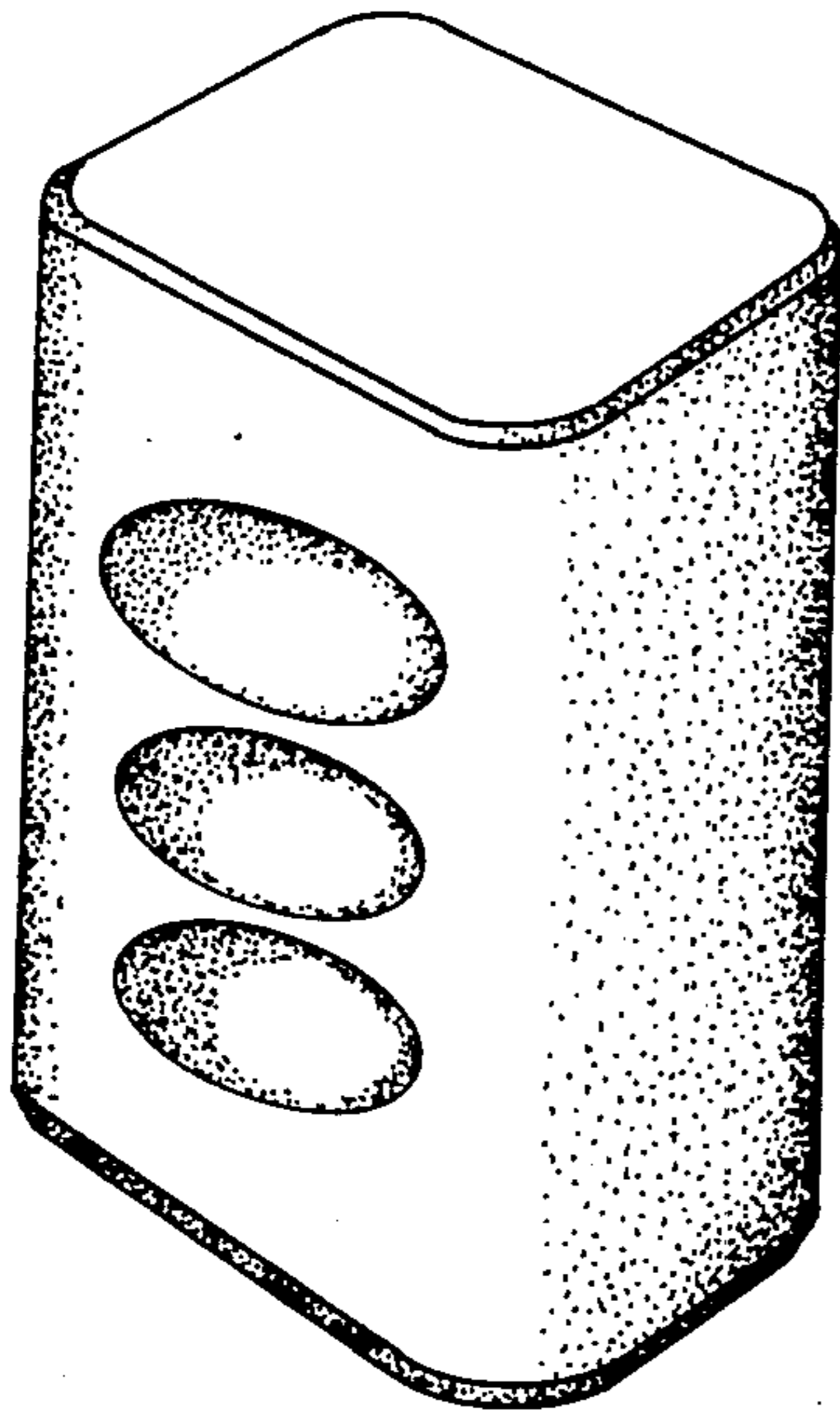


FIG. 2