

[54] DRYER

[75] Inventor: John Wistrand, New Canaan, Conn.

[73] Assignee: Clairol Incorporated, New York, N.Y.

[**] Term: 14 Years

[21] Appl. No.: 680,001

[22] Filed: Apr. 23, 1976

[51] Int. Cl. D28-03

[52] U.S. Cl. D28/13

[58] Field of Search D28/9, 10, 12-16, D28/18, 24; D4/13, 14, 17; 34/96-101; 219/222; 132/7, 9, 11 R, 11 A, 118

[56] References Cited

U.S. PATENT DOCUMENTS

D. 227,816	7/1973	Madl et al.	D28/13
D. 236,288	8/1975	McNair et al.	D28/13
3,986,272	10/1976	Feierabent	34/97

OTHER PUBLICATIONS

Sears Supplement to the Washington Post, 6/12/1974, Back page-dryer "a" bottom left.

Primary Examiner—Joel Stearman
Assistant Examiner—Louis S. Zarfes
Attorney, Agent, or Firm—David J. Mugford

[57] CLAIM

The ornamental design for a dryer, as shown and described.

DESCRIPTION

FIG. 1 is a left side elevational view of a dryer showing my new design;
 FIG. 2 is a rear elevational view thereof;
 FIG. 3 is a front elevational view thereof;
 FIG. 4 is a right side elevational view thereof;
 FIG. 5 is a top plan view thereof;
 FIG. 6 is a bottom plan view thereof;
 FIG. 7 is a fragmentary top plan view with concentrator attached;
 FIG. 8 is a fragmentary left side elevational view thereof;
 FIG. 9 is a fragmentary front elevational view taken on line 9-9 of FIG. 8; and
 FIG. 10 is a rear elevational view of the concentrator taken on line 10-10 of FIG. 8.

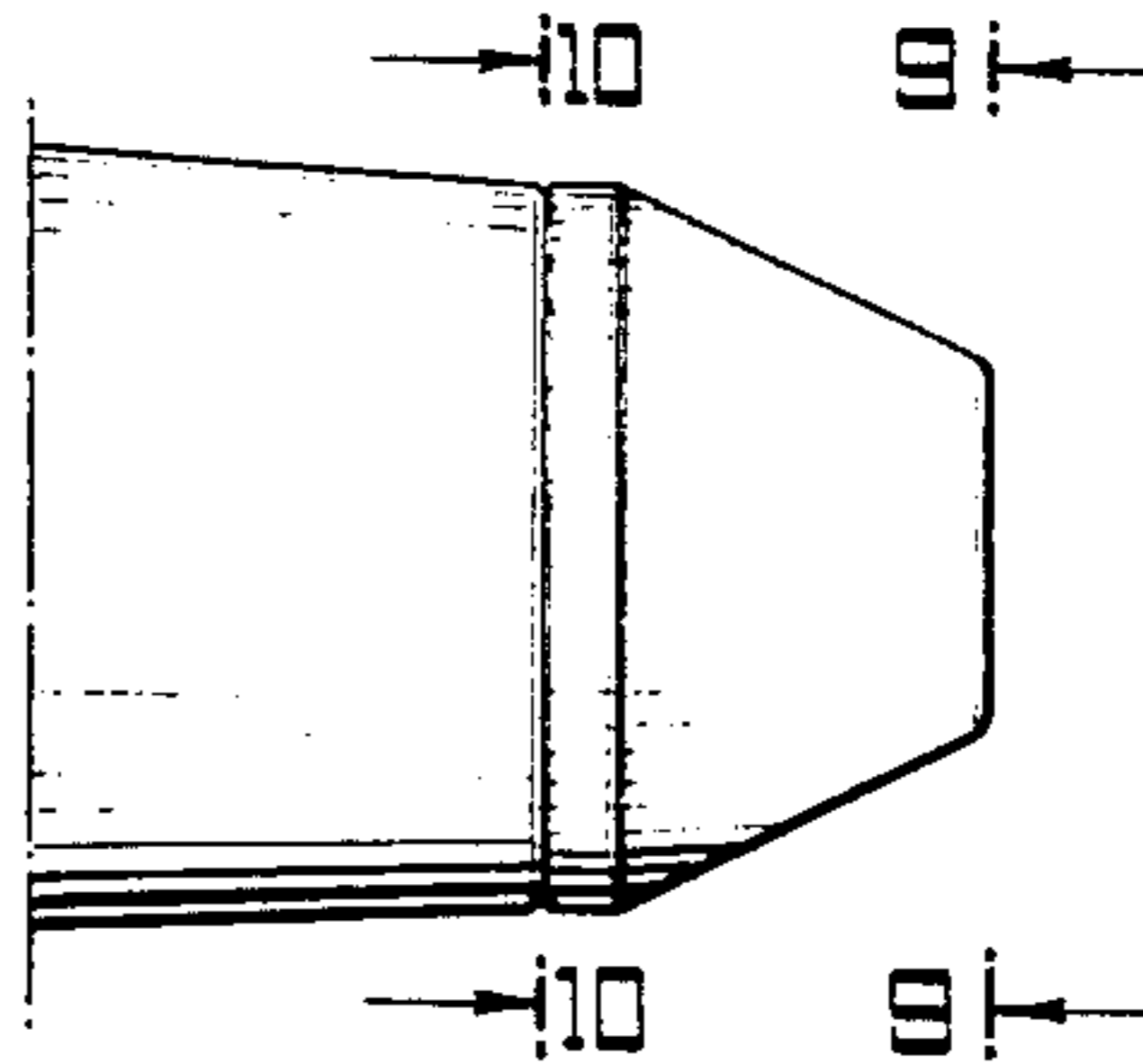
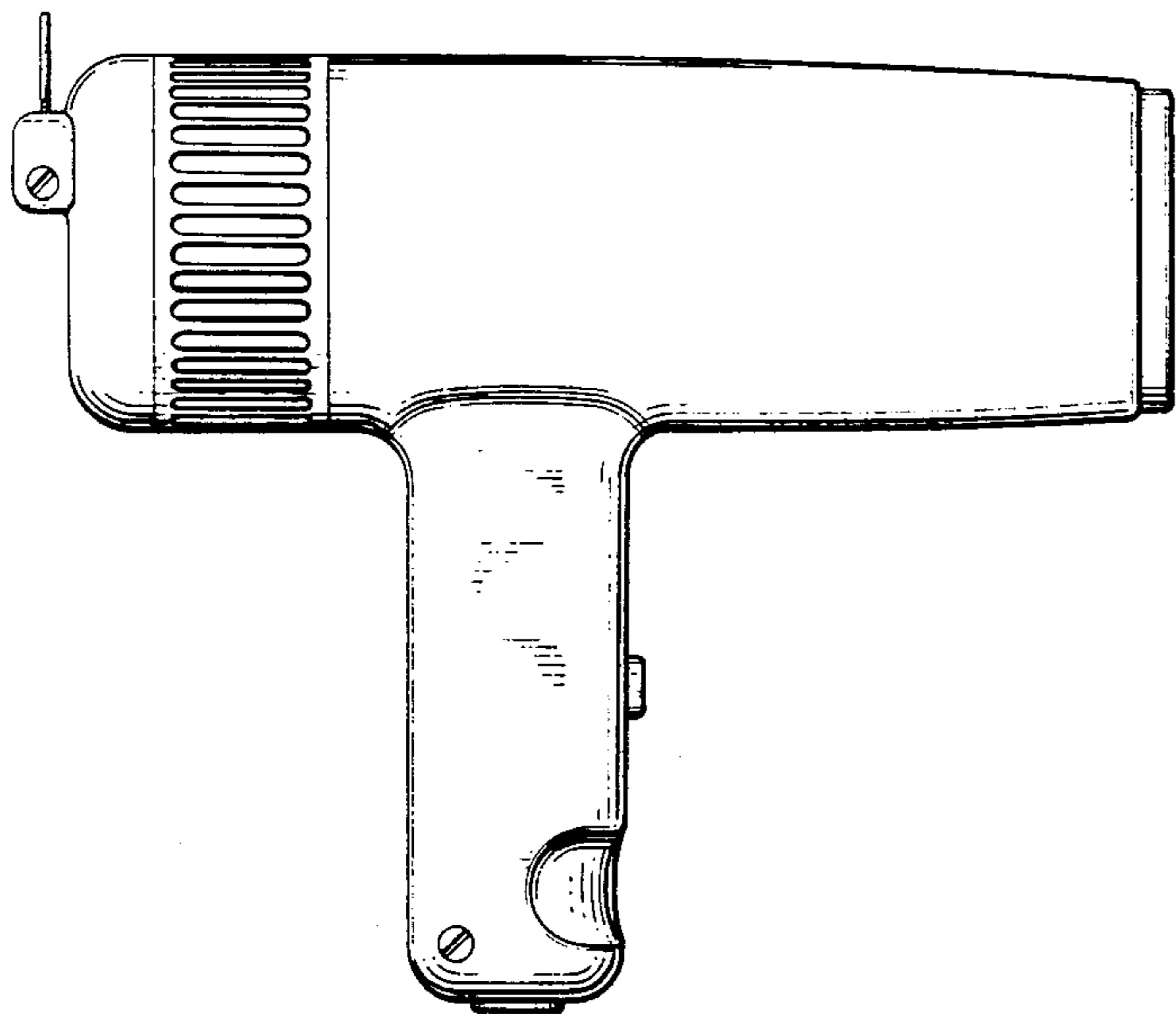


Fig. 3.

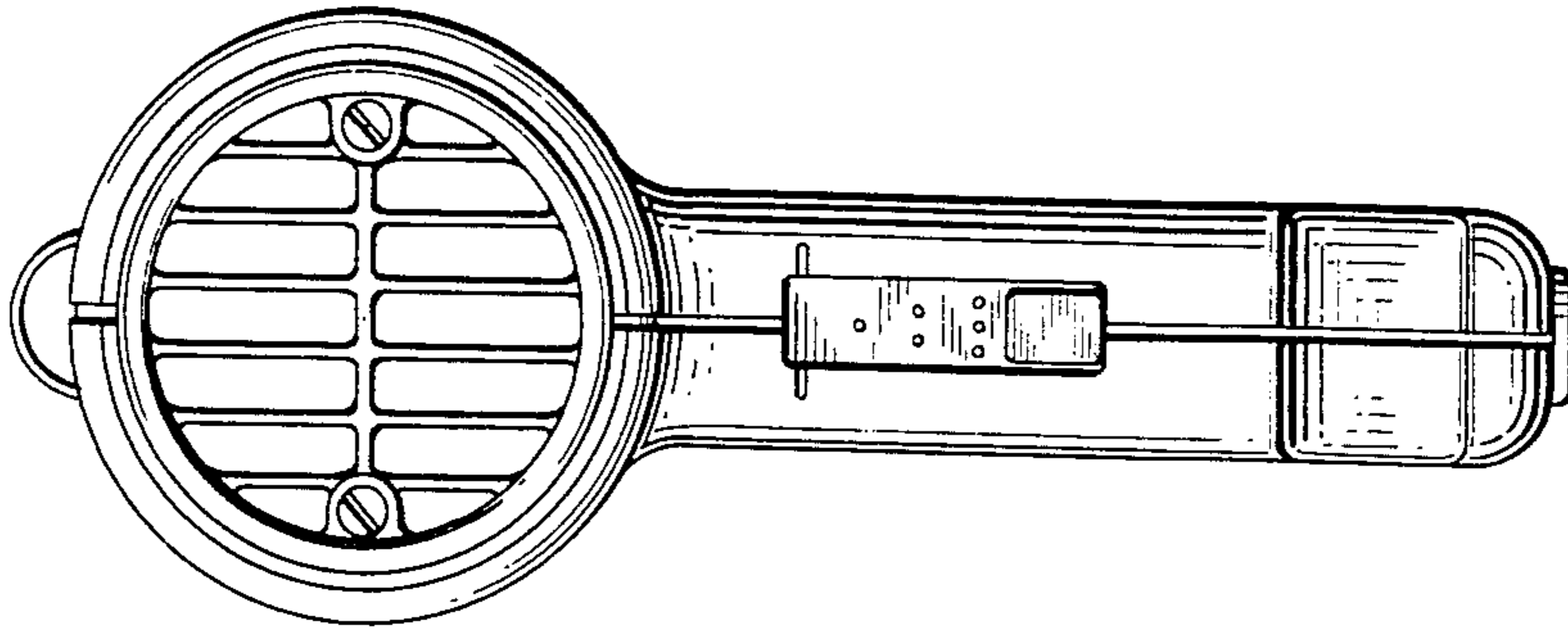


Fig. 1.

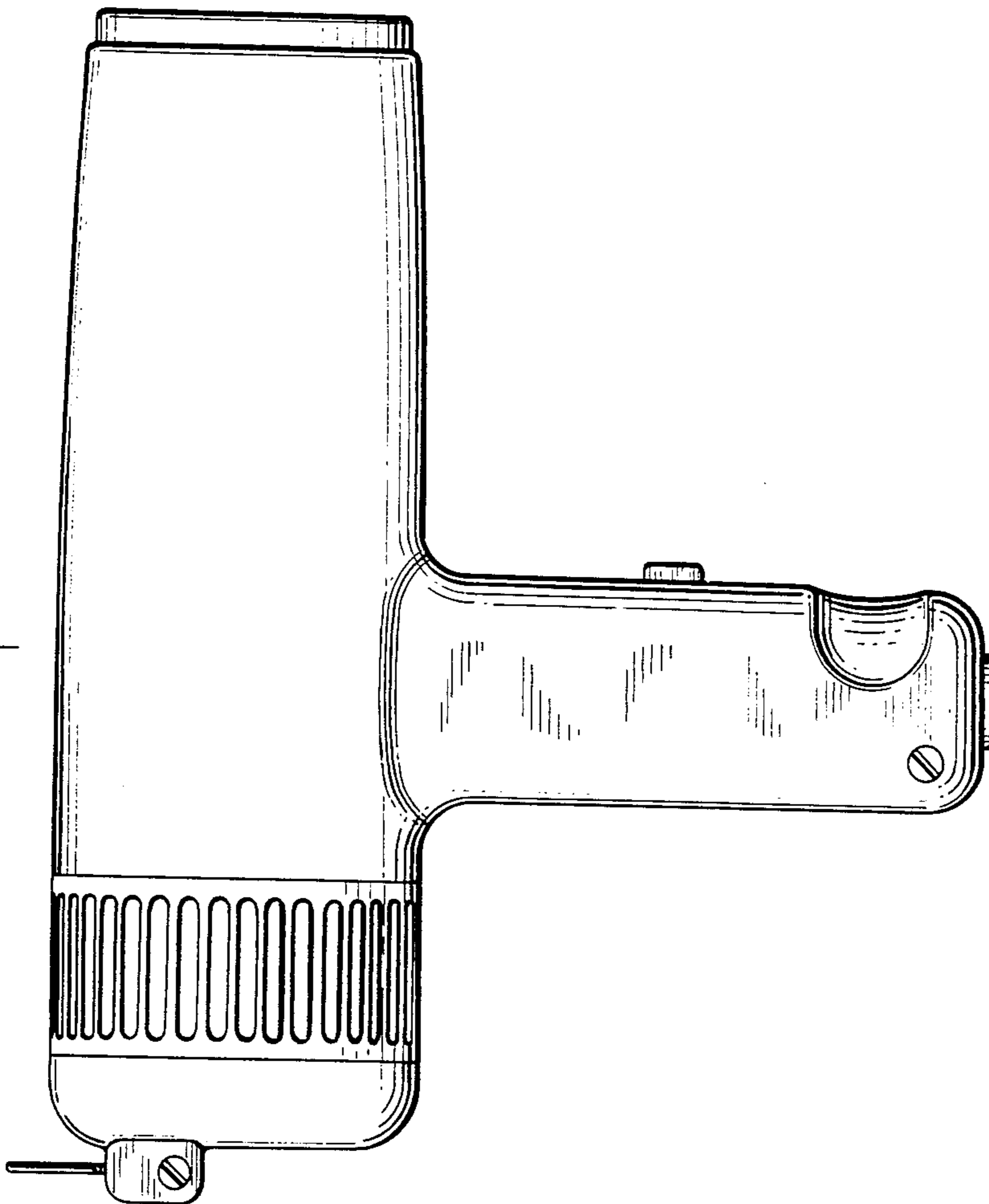


Fig. 2.

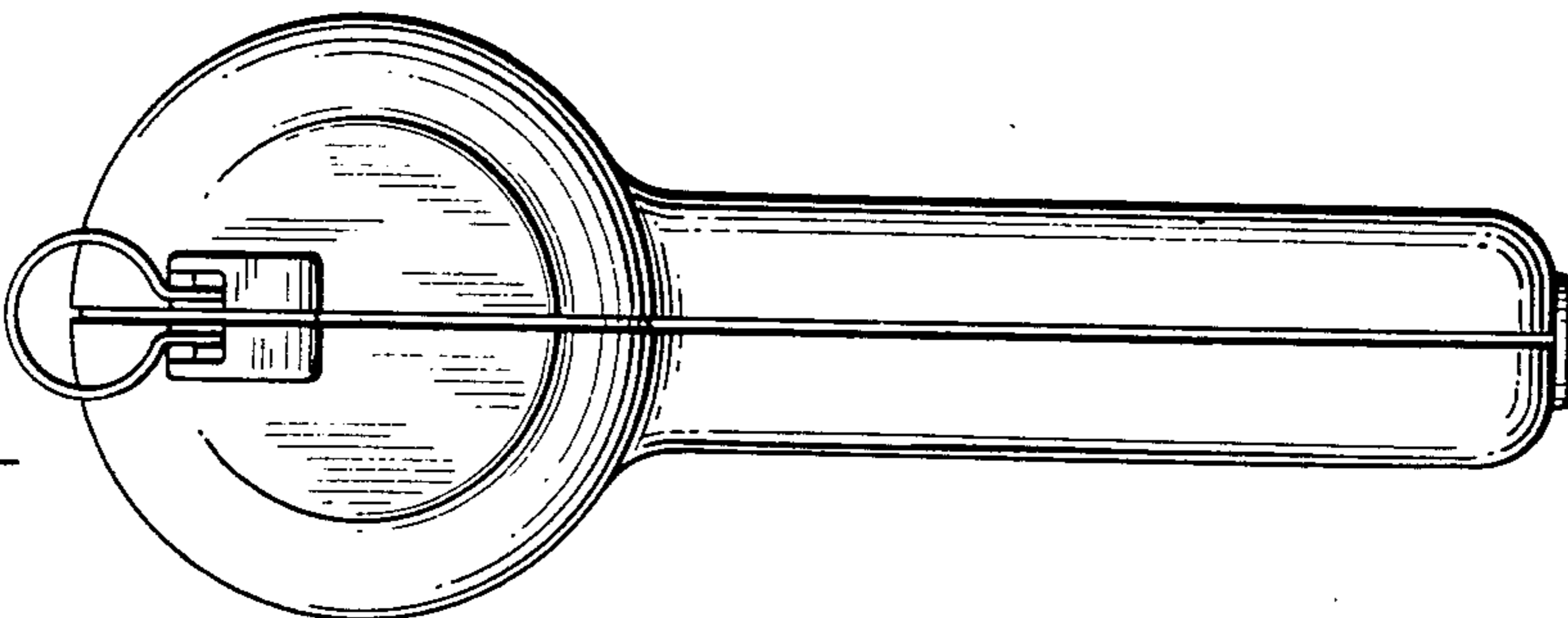


Fig. 5.

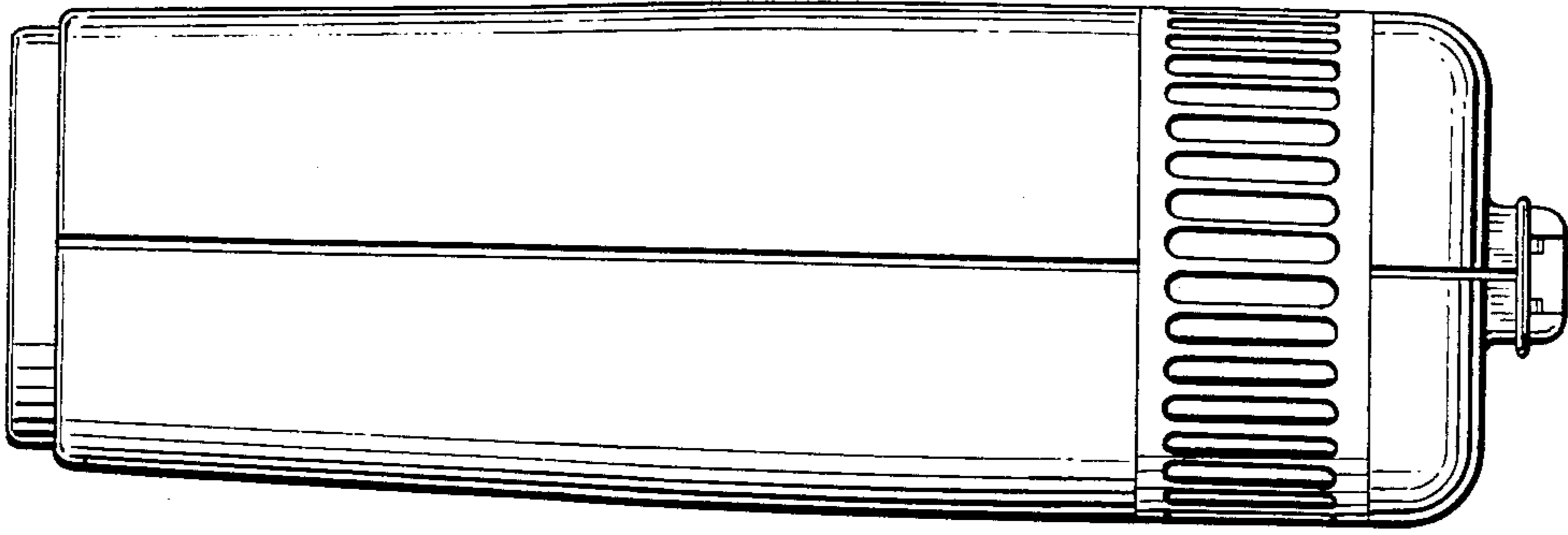


Fig. 4.

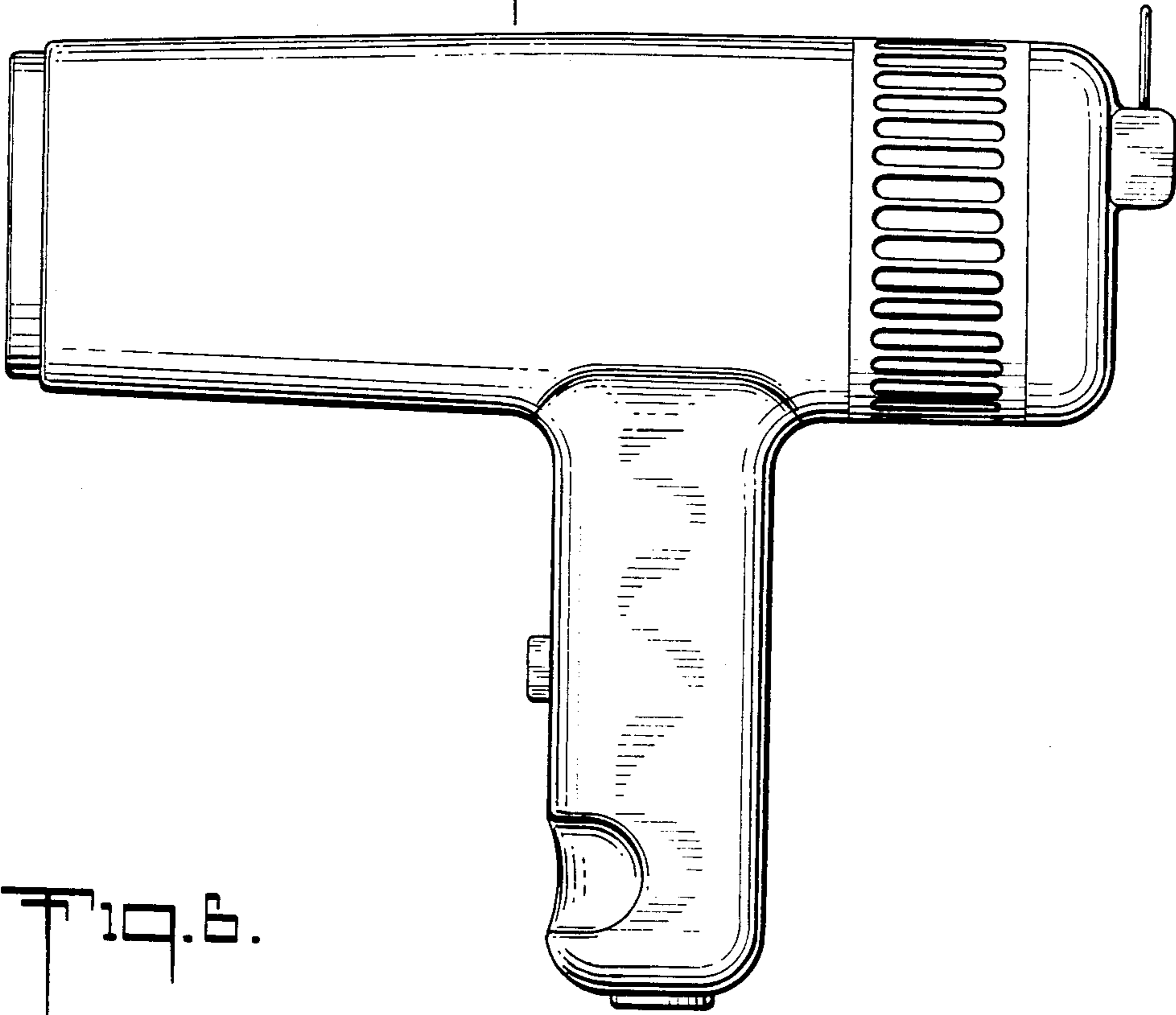


Fig. 6.

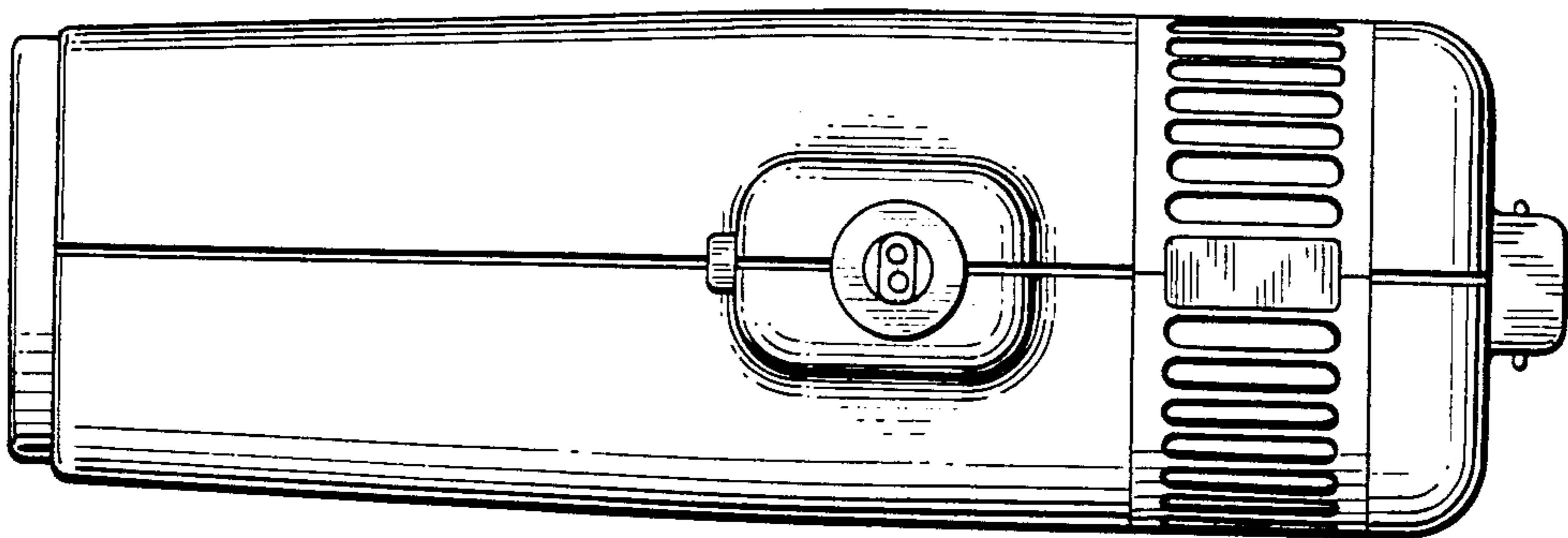


Fig. 7.

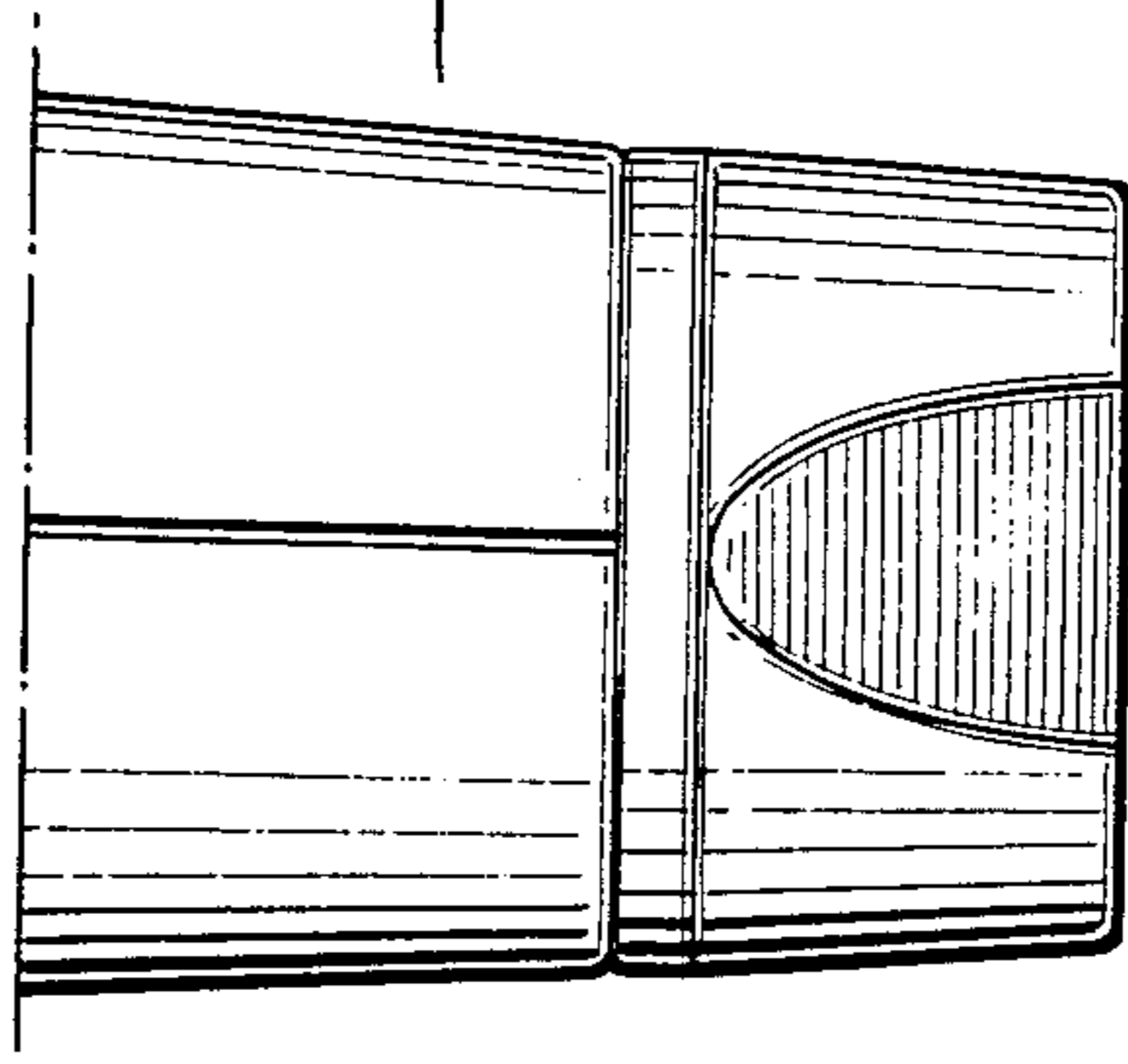


Fig. 8.

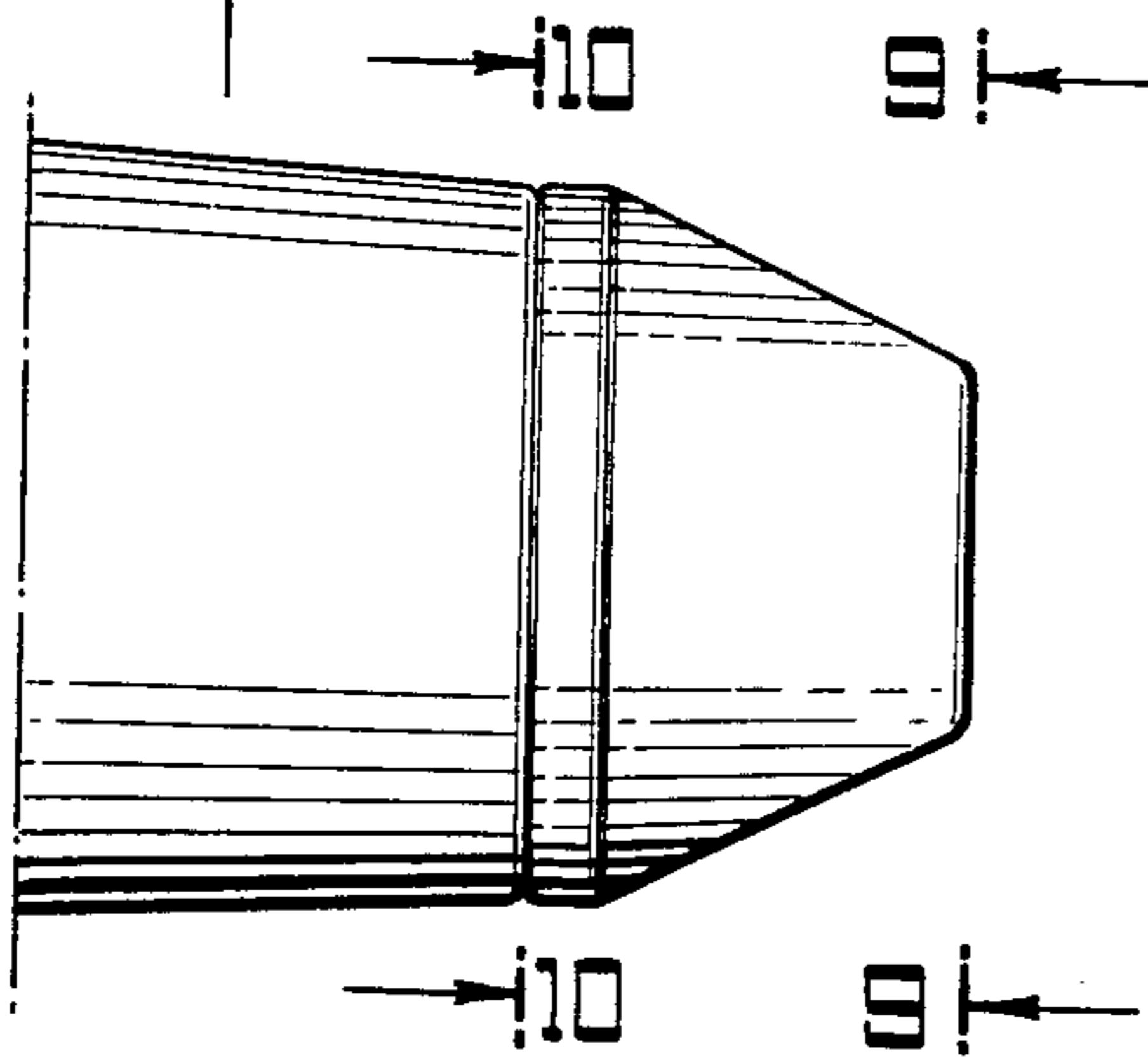


Fig. 9.

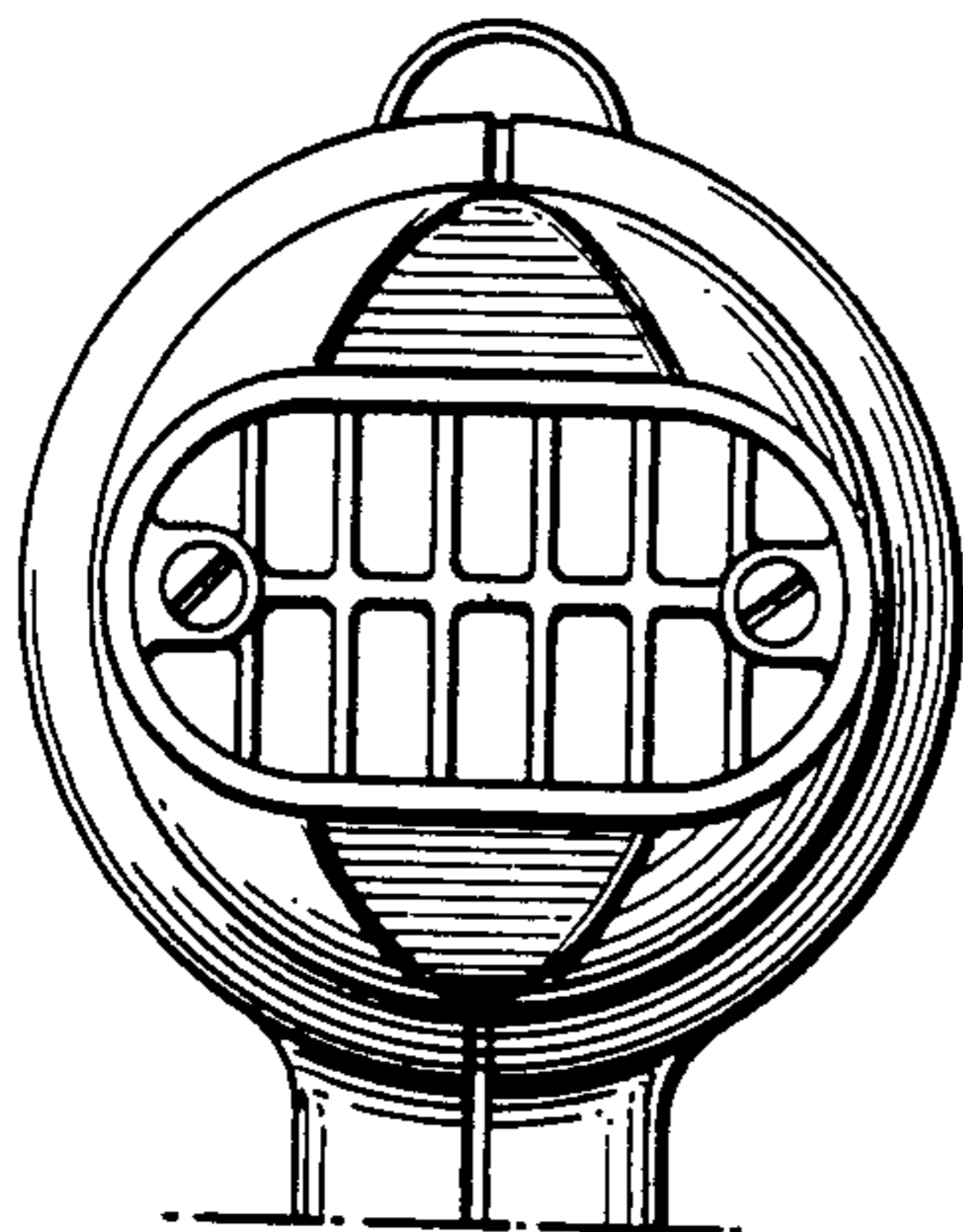


Fig. 10.

