

[54] FISHING REEL

[75] Inventor: Kinjiro Takeuchi, Tokyo, Japan

[73] Assignee: Takeuchi Seisakusho, Ltd., Tokyo, Japan

[\*\*] Term: 14 Years

[21] Appl. No.: 778,060

[22] Filed: Mar. 16, 1977

[51] Int. Cl. .... D22-05

[52] U.S. Cl. .... D22/25

[58] Field of Search ..... D22/25, 23; 43/20; 242/84.1 L

[56]

References Cited

U.S. PATENT DOCUMENTS

D. 82,279 10/1930 Pflueger ..... D22/25  
D. 235,258 6/1975 Sugimoto ..... D22/25

Primary Examiner—A. Hugo Word  
Attorney, Agent, or Firm—Lawrence B. Biebel

[57]

CLAIM

The ornamental design for a fishing reel, substantially as shown.

DESCRIPTION

FIG. 1 is a perspective view of a fishing reel of my design.  
FIG. 2 is a side elevation thereof;  
FIG. 3 is a rear elevation thereof;  
FIG. 4 is a top plan view thereof;  
FIG. 5 is a bottom plan view thereof; and  
FIG. 6 is a fragmentary sectional view through the spool and case taken generally along the line 6-6 of FIG. 4.

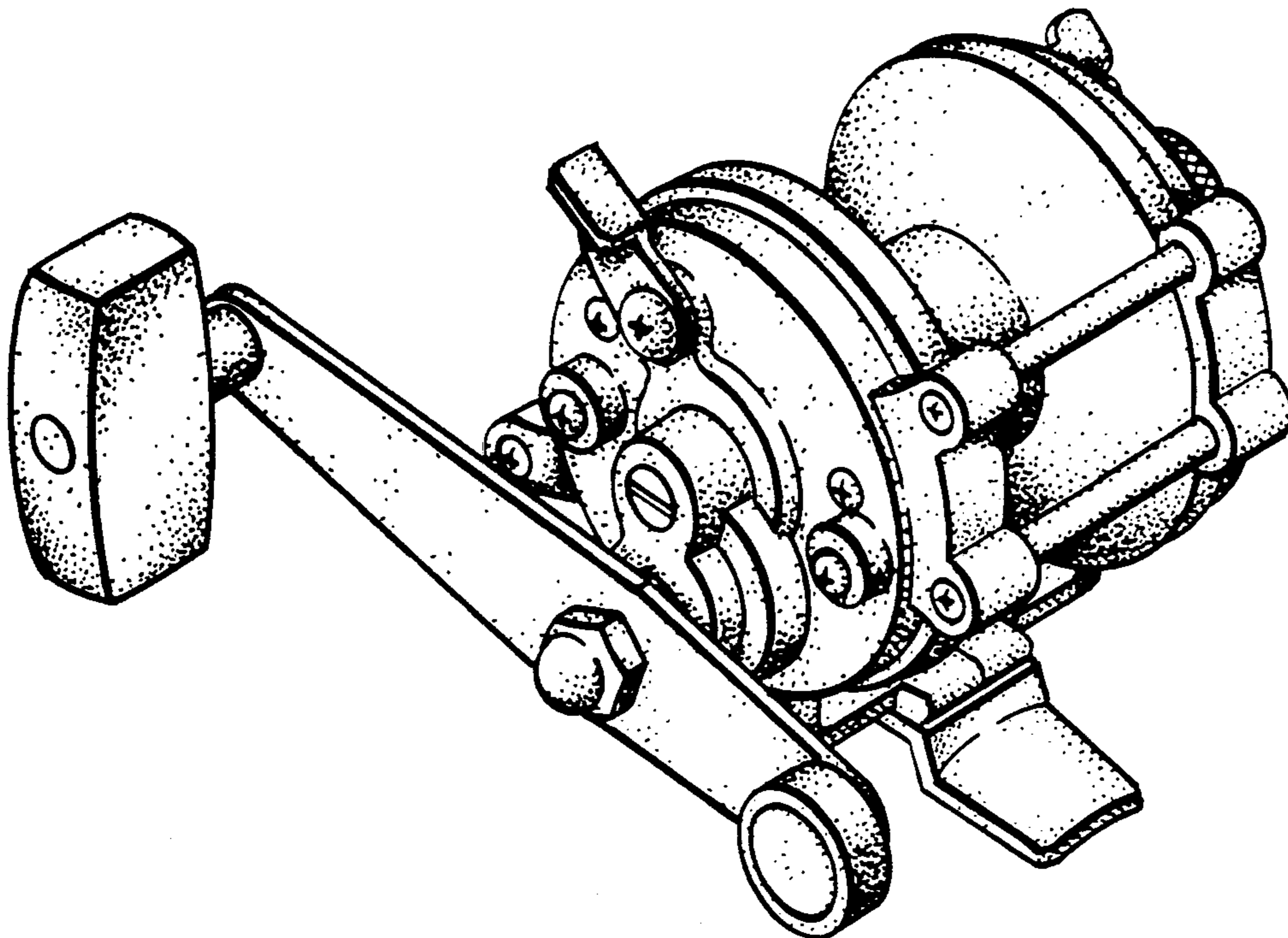


FIG-1

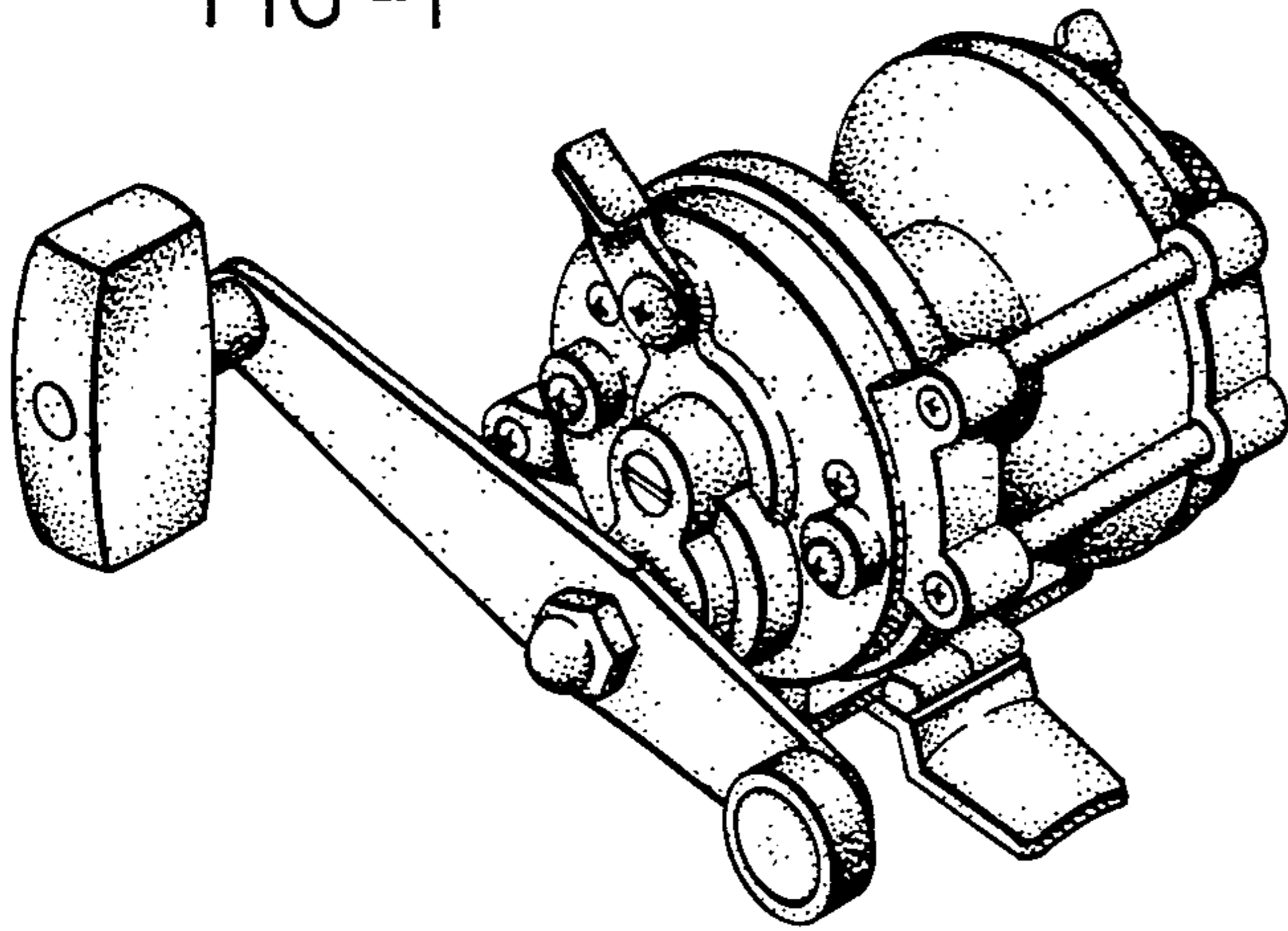


FIG-6

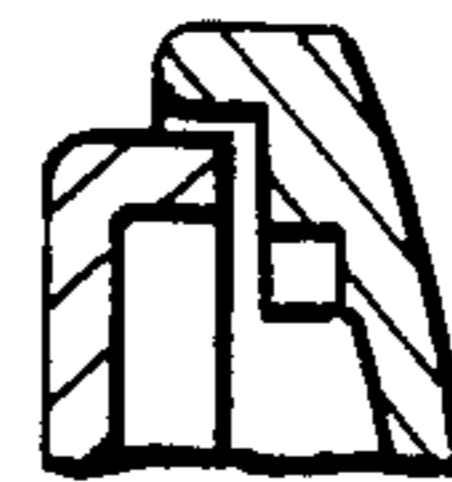


FIG-2

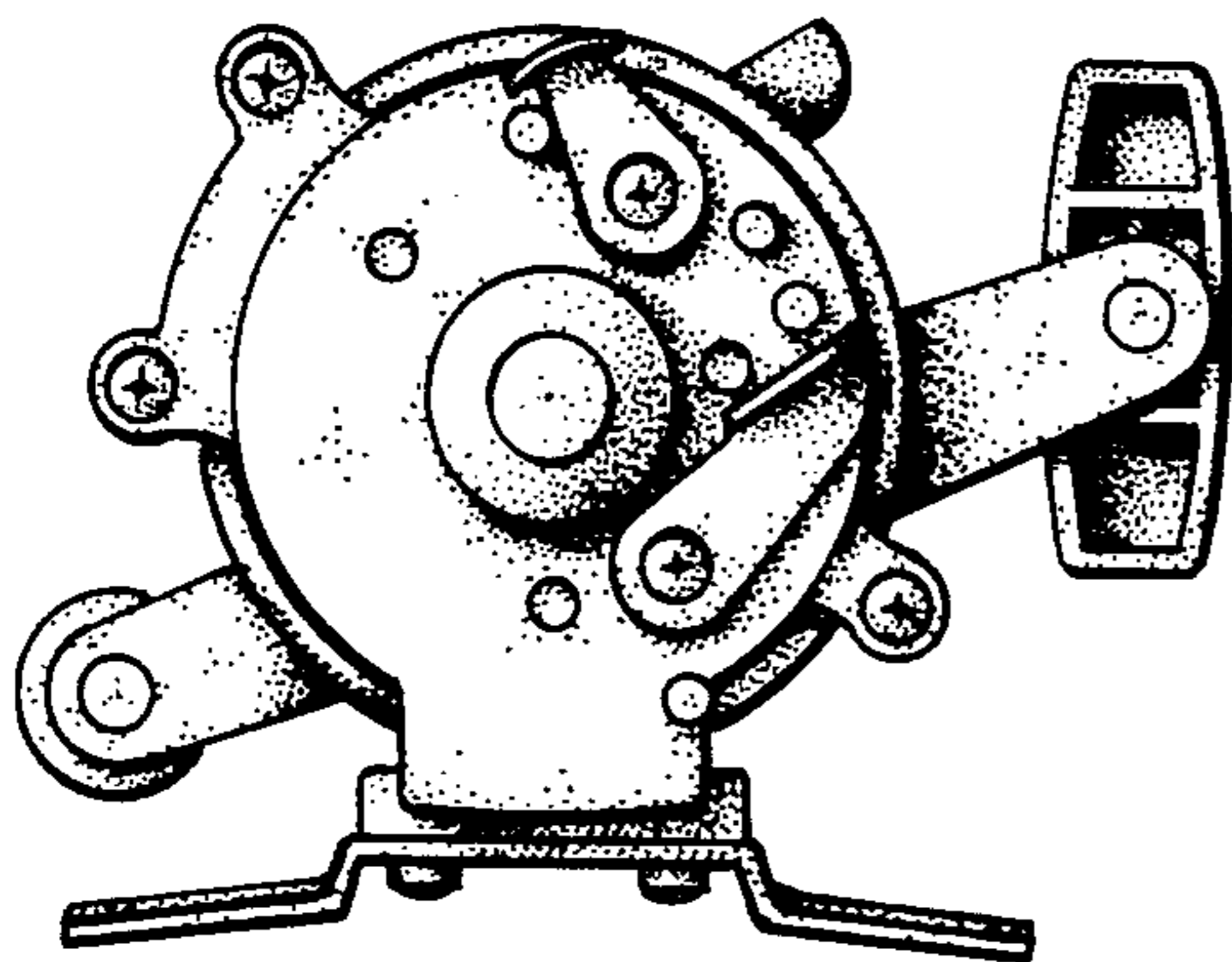


FIG-3

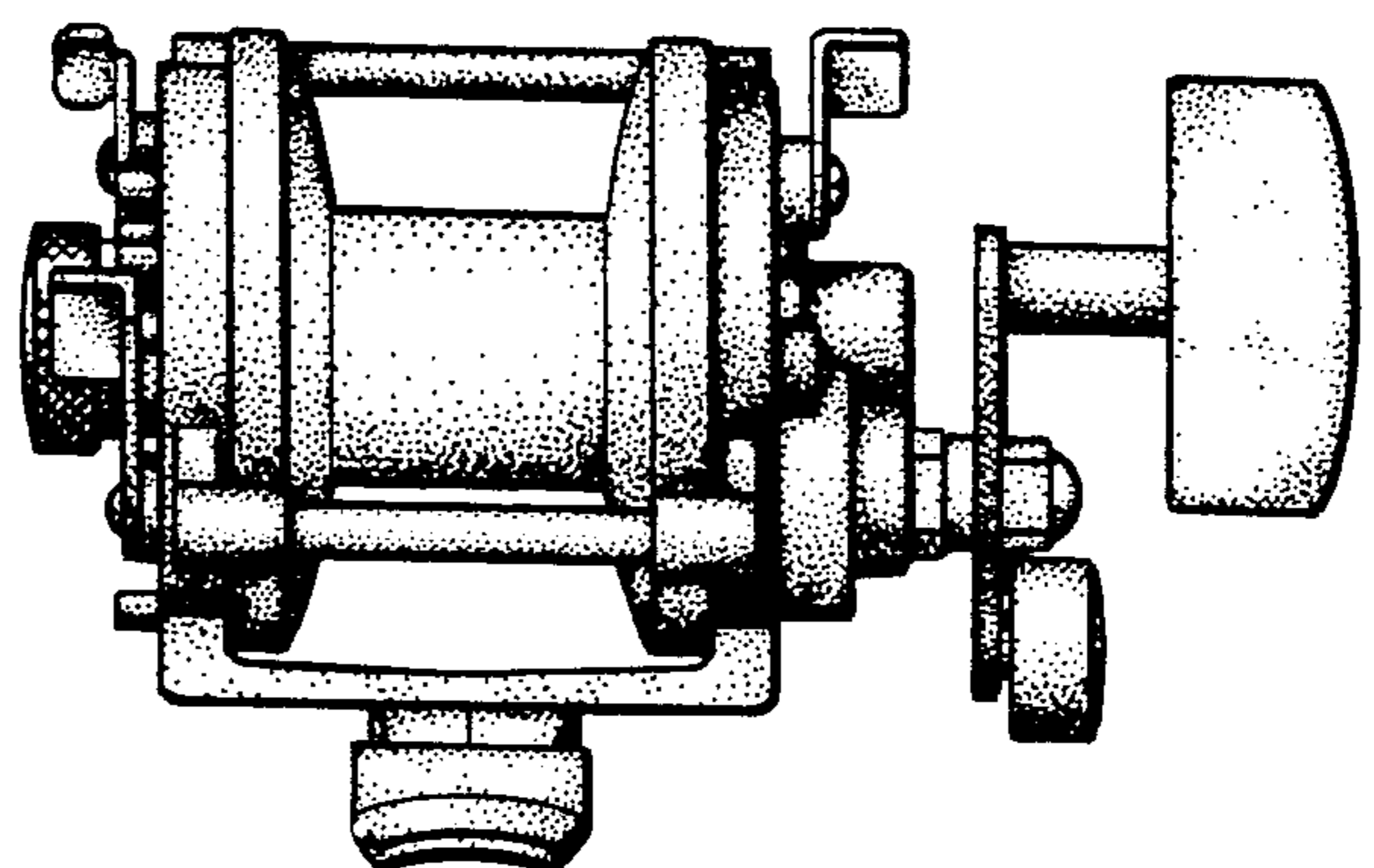


FIG-4

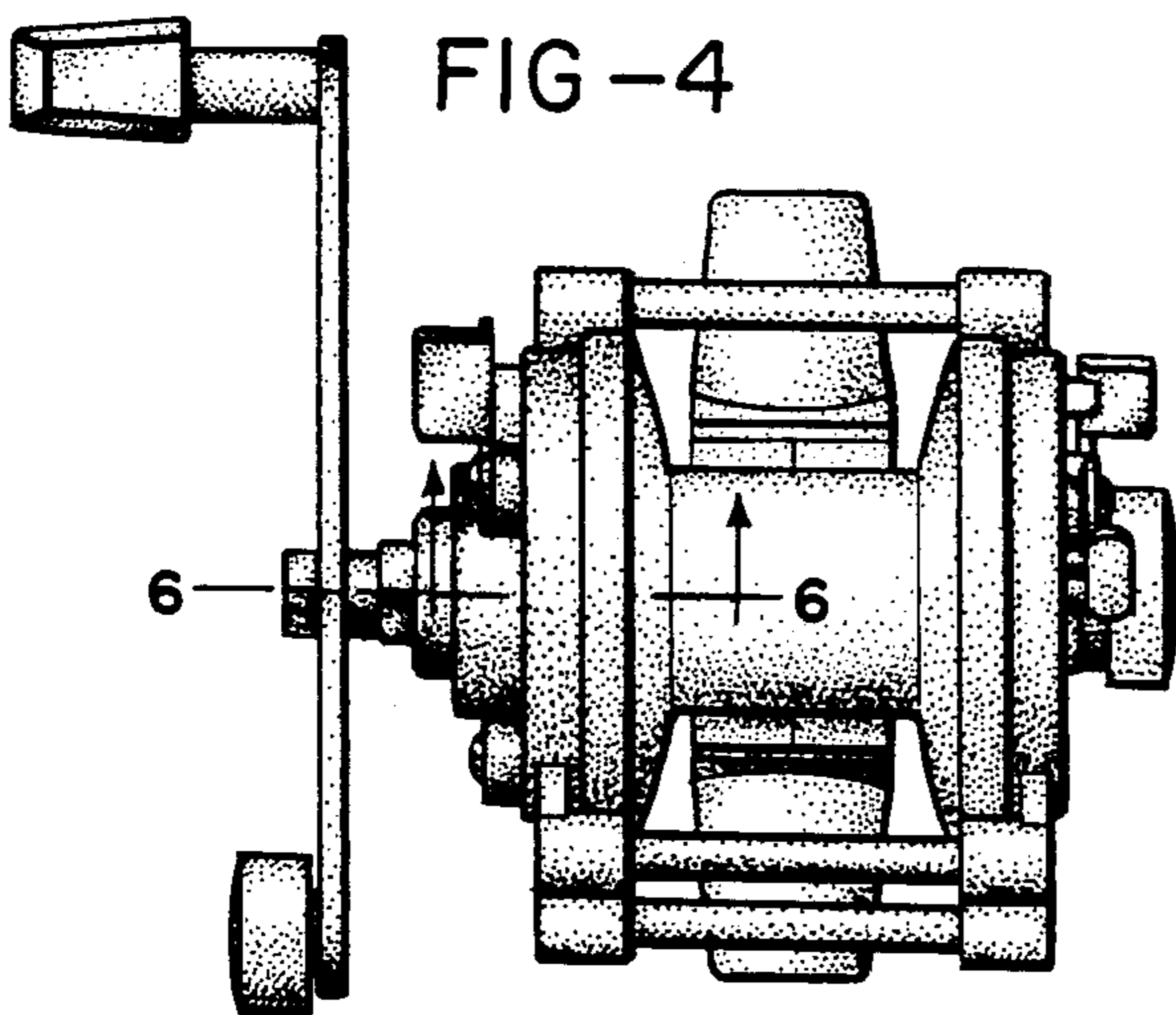


FIG-5

