

[54] **COMBINED FILE HOLDER AND WRITING INSTRUMENT POCKET**

[75] Inventor: **George Henry Wiseman Riches**,
 Toronto, Canada

[73] Assignees: **George Henry Wiseman Riches**;
Hester Edna Riches, Toronto,
 Canada; part interest to each

[**] Term: **14 Years**

[21] Appl. No.: **647,164**

[22] Filed: **Jan. 7, 1976**

[51] Int. Cl. **D19-02**
 [52] U.S. Cl. **D19/90**
 [58] Field of Search **D19/75, 86, 90, 91;**
D6/184, 142; D7/72; 211/181, 201, 10-12, 32,
38, 40-42, 195; 312/183-184; 248/448-449,
460-462

[56] **References Cited**

U.S. PATENT DOCUMENTS

D. 189,244	12/1960	Mark	D6/184
D. 218,369	8/1970	Schwartz	D19/91
1,241,486	10/1917	Armstrong	211/195

3,144,942	8/1964	Peebles	211/11
3,318,453	5/1967	Cavanagh	211/11
3,730,354	5/1973	Bronstein	211/195

FOREIGN PATENT DOCUMENTS

116,552	4/1946	Sweden	312/184
---------	--------	--------------	---------

OTHER PUBLICATIONS

Bainbridge Kimpton & Haupt, Inc. Cat. © 1962, p. 132,
 "Cata-Rack".

Primary Examiner—Joel Stearman
Assistant Examiner—George P. Word
Attorney, Agent, or Firm—C. Ronald Riches

[57] **CLAIM**

The ornamental design for a combined file holder and writing instrument pocket, substantially as shown and described.

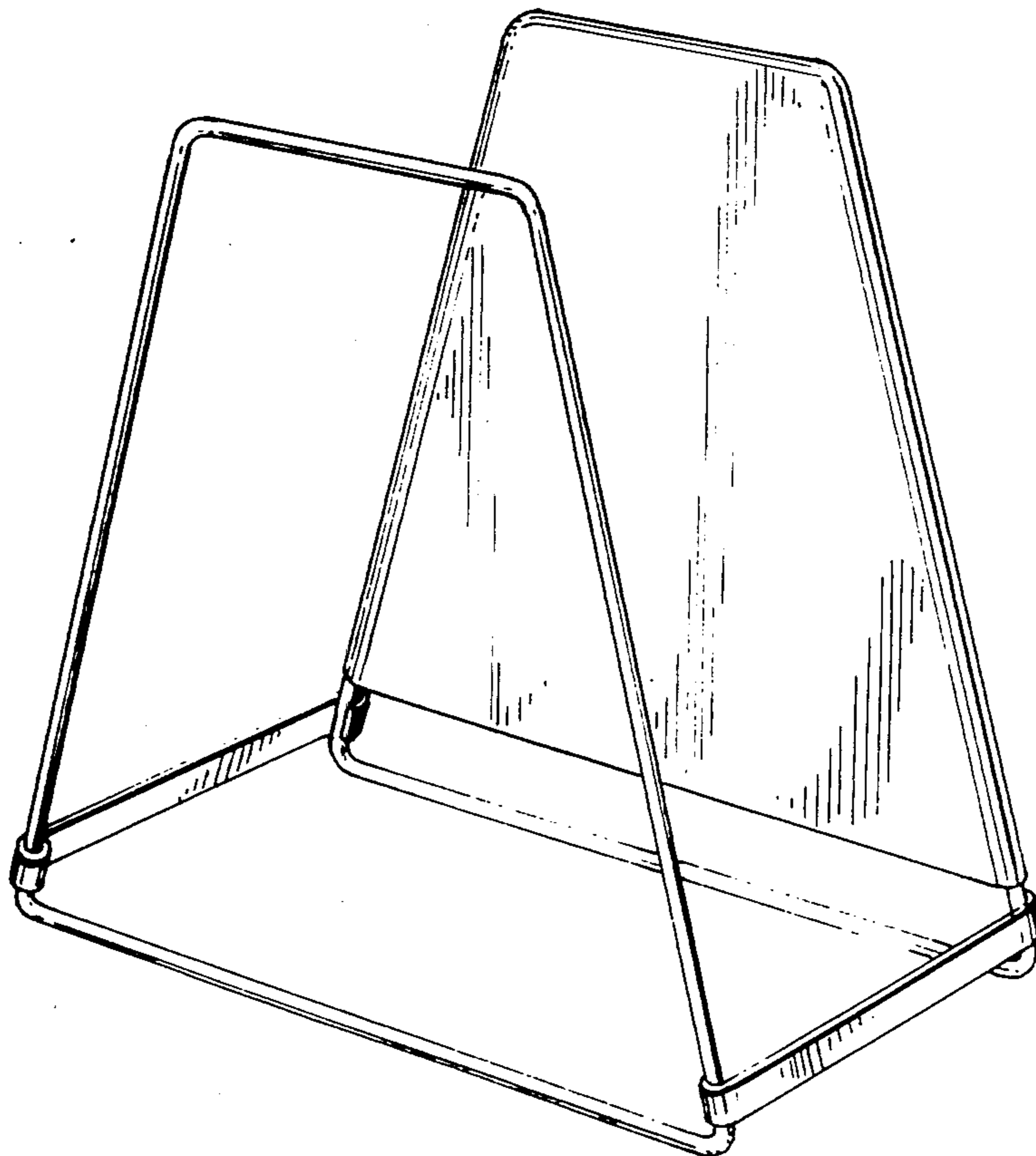
DESCRIPTION

FIG. 1 is a rear perspective view of a combined file holder and writing instrument pocket showing my new design;

FIG. 2 is a front elevational view;

FIG. 3 is a right side elevational view;

FIG. 4 is a top plan view.



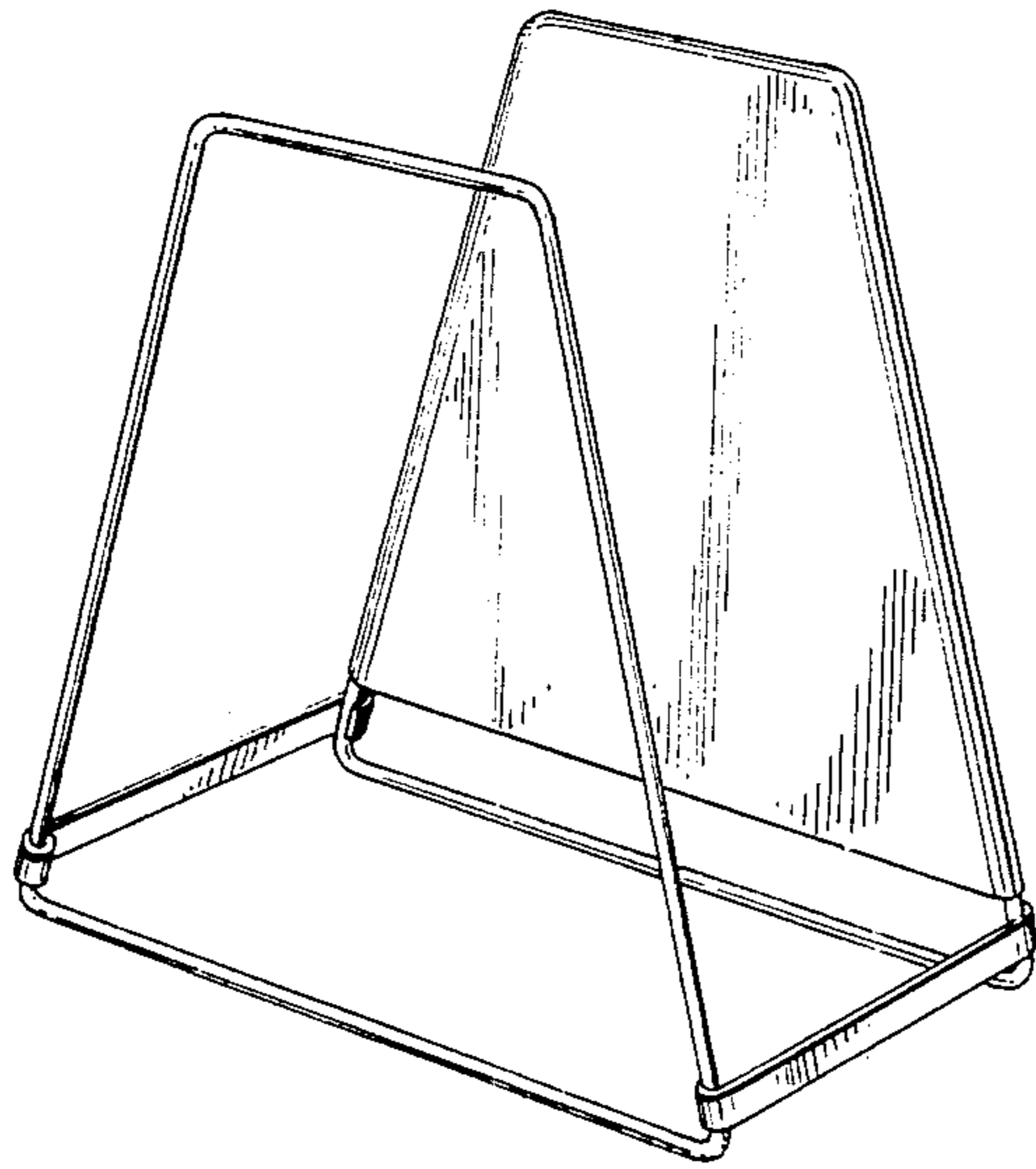


FIG. 1.

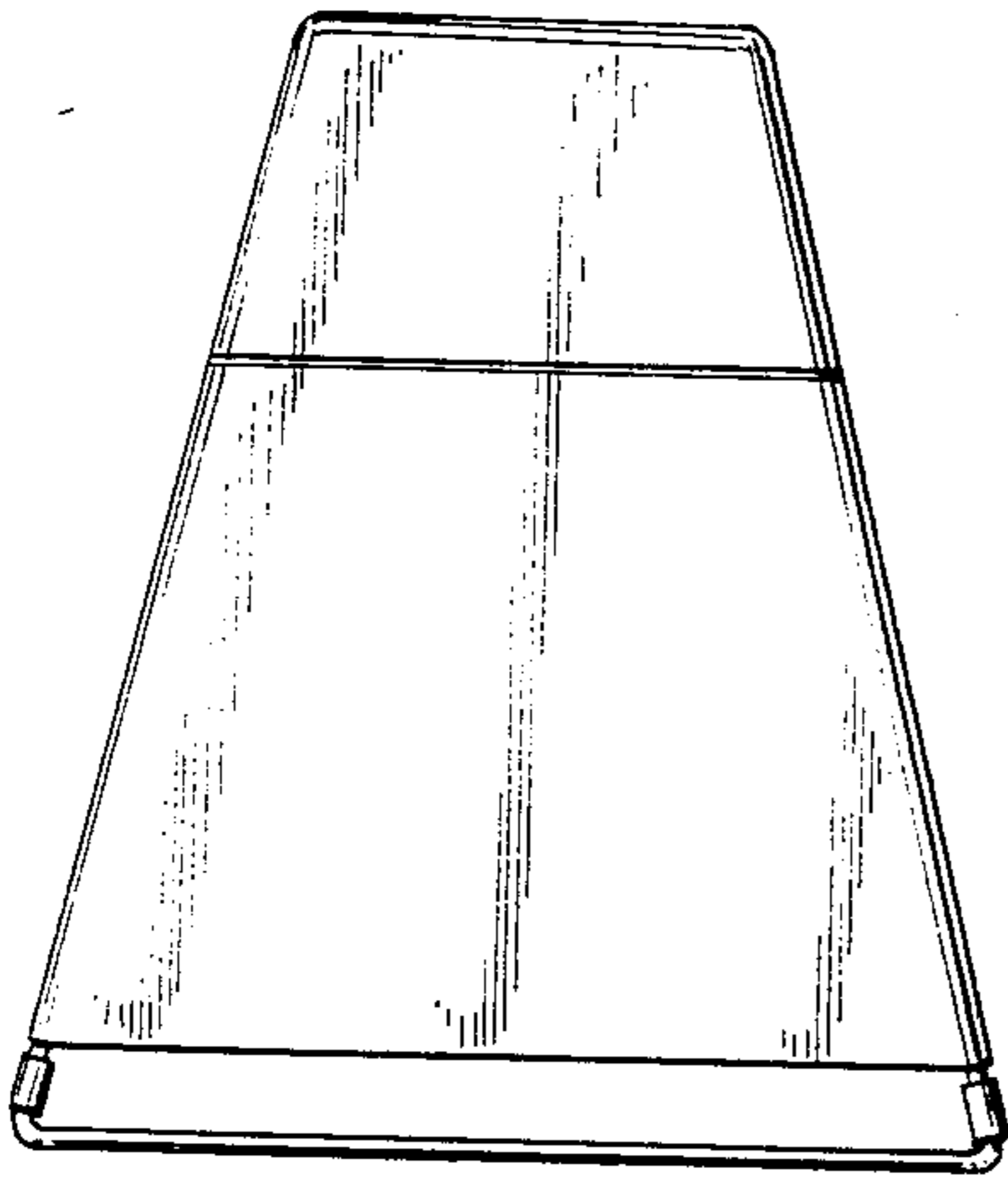


FIG. 2.

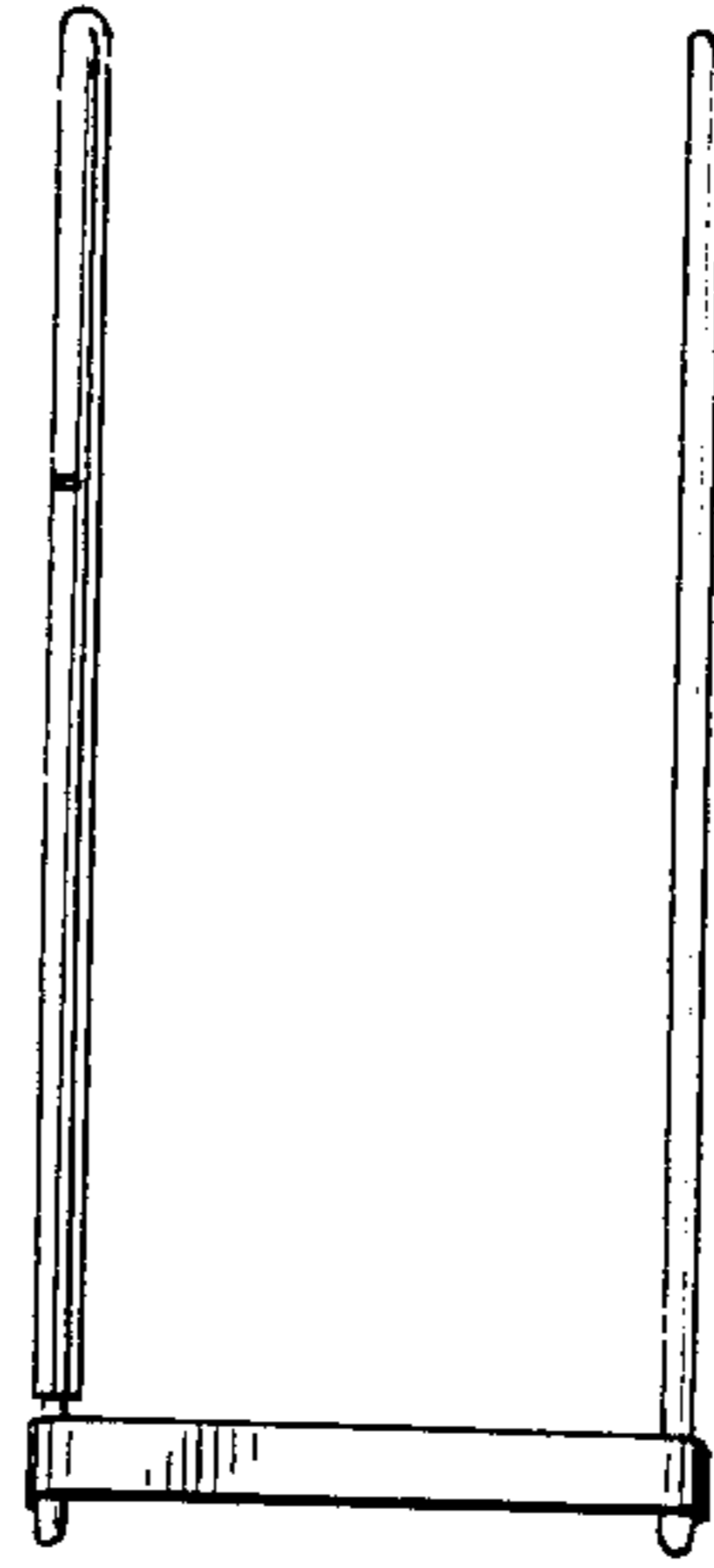


FIG. 3.

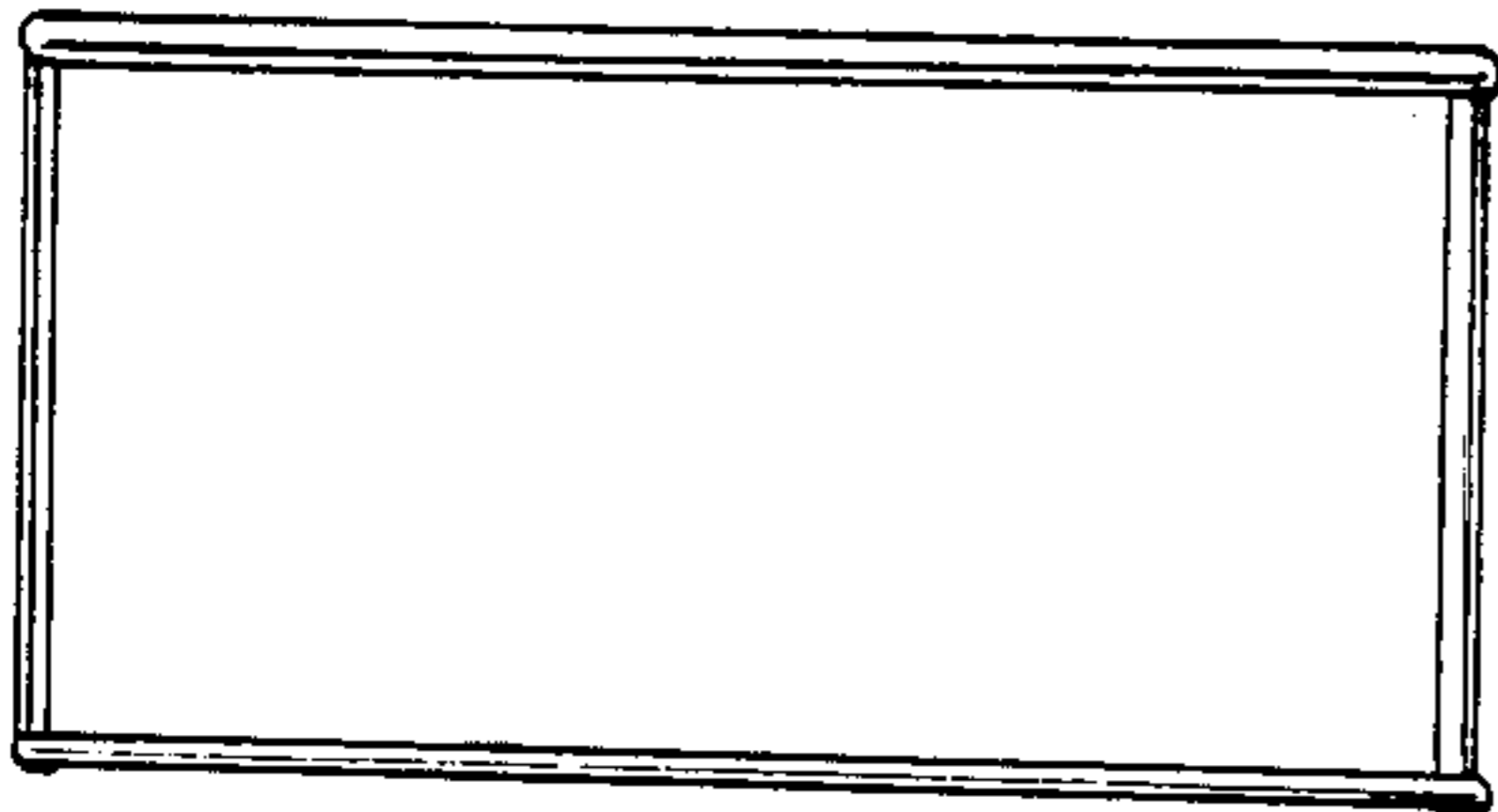


FIG. 4.