

[54] **TELESCOPE**
 [75] Inventor: **Claus O. Huckenbeck**, Sherman
 Oaks, Calif.

[73] Assignee: **Bausch & Lomb Incorporated**,
 Rochester, N.Y.

[**] Term: **14 Years**

[21] Appl. No.: **671,348**

[22] Filed: **Mar. 29, 1976**

[51] Int. Cl. **D16-08; D22-02**

[52] U.S. Cl. **D16/61**

[58] Field of Search 350/78, 44, 40, 41,
 350/42, 43, 45, 47, 82, 10; 33/48; D16/61, 62,
 59

[56] **References Cited**

U.S. PATENT DOCUMENTS

D. 96,664	8/1935	Hageman	D16/61
D. 215,355	9/1969	Weatherby	D16/62
D. 215,356	9/1969	Weatherby	D16/61
D. 222,815	1/1972	Burris	D16/62

3,028,791	4/1962	Clark et al.	350/44
3,028,792	4/1962	Krajowsky et al.	350/44
3,819,254	6/1974	Hummel et al.	350/78

OTHER PUBLICATIONS

Redfield Scopes, Mounts and Sights, 1973, p. 21, Catalog Nos. 126000 and 126045.

Swift Optical and Weather Instrument Catalog, vol. 48, © 1974, p. 14, Cat. 841, Zoom Telescope.

Primary Examiner—Bernard Ansher

Attorney, Agent, or Firm—Robert L. Parker

[57] **CLAIM**

The ornamental design for a telescope, substantially as shown and described.

DESCRIPTION

FIG. 1 is a perspective view of the telescope;
 FIG. 2 is a side elevation of the telescope;
 FIG. 3 is an end view showing the eyepiece end of the telescope; and
 FIG. 4 is an end view showing the objective-lens end of the telescope.

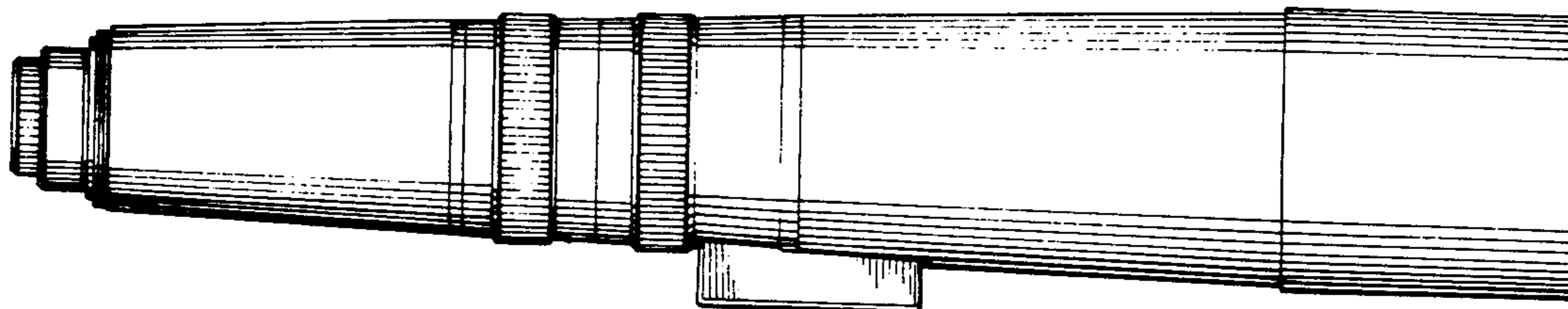
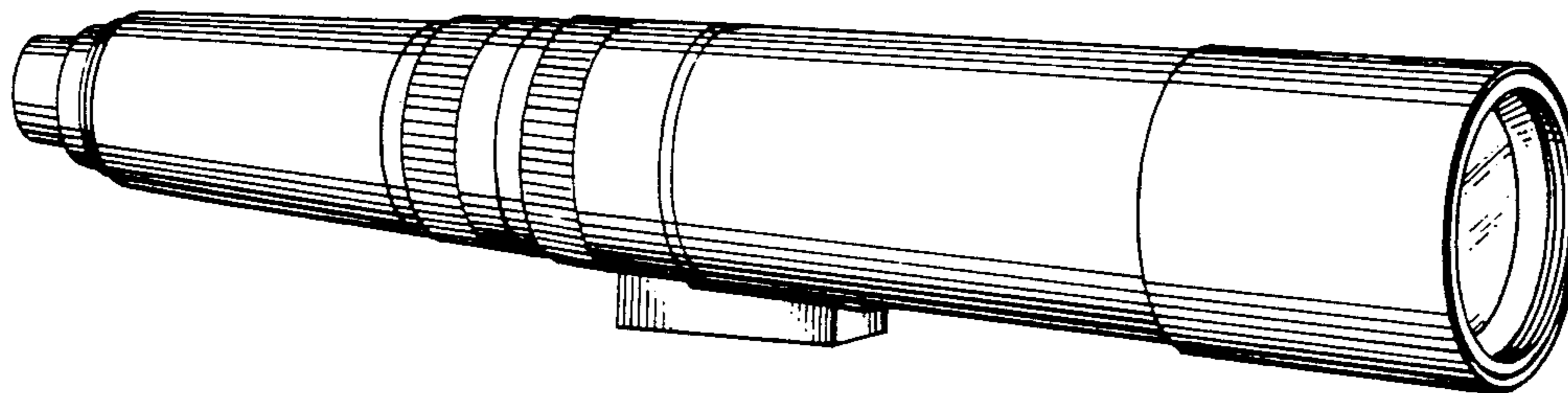


Fig. 1

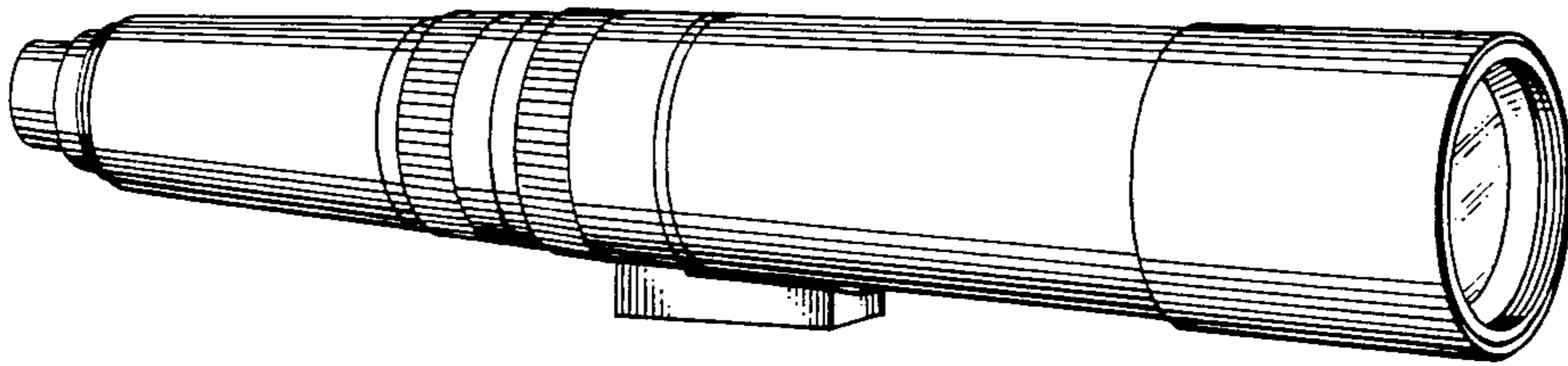


Fig. 2

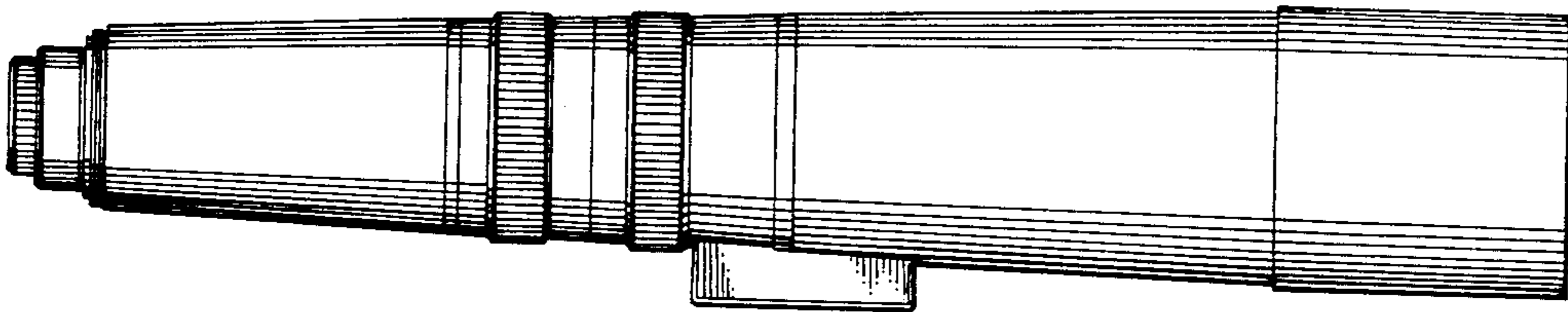


Fig. 3

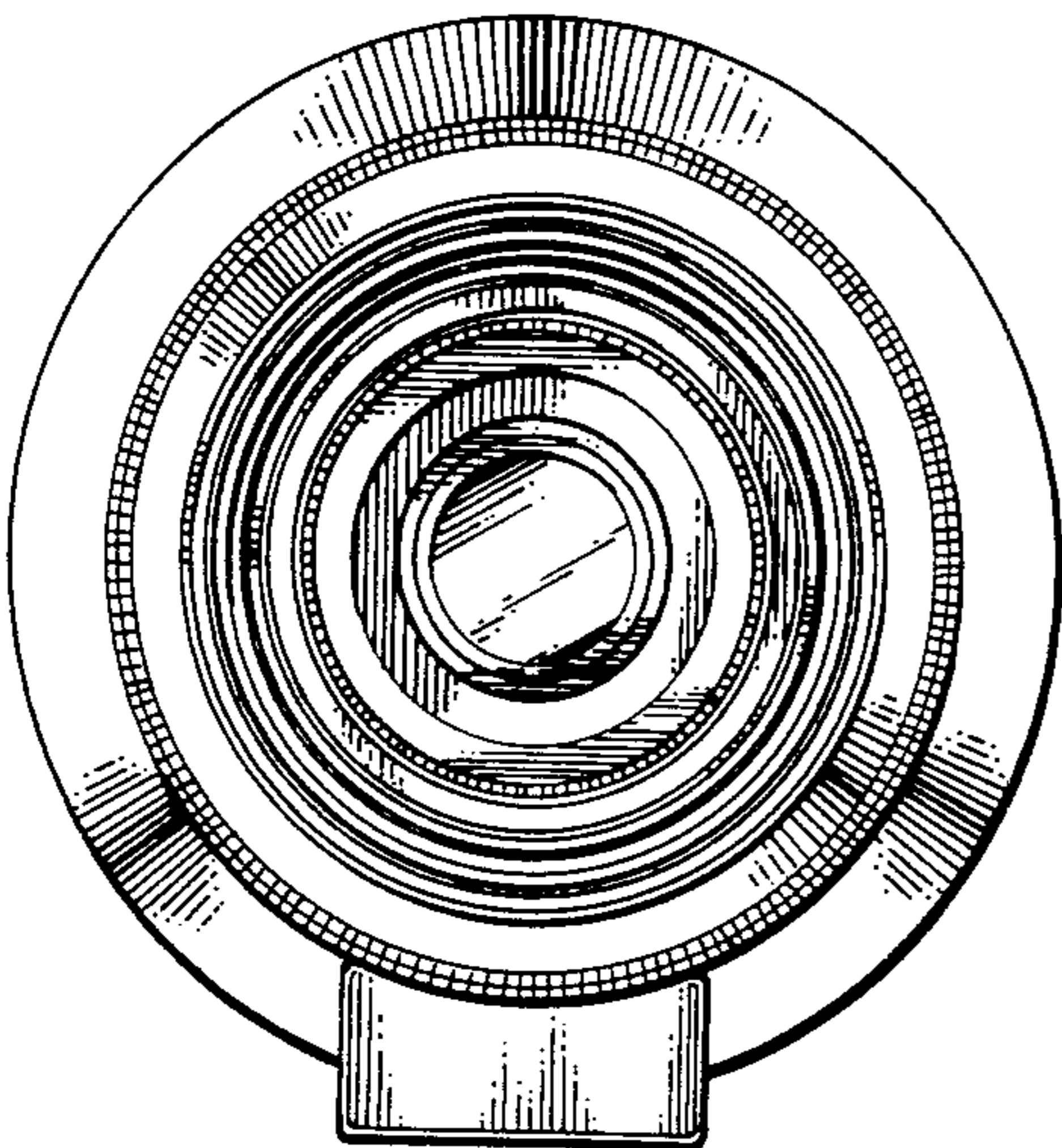


Fig. 4

