

[54] TRACTOR

[75] Inventors: **Horst Emundts**, Cologne; **Peter Kramer**, Troisdorf-Spich, both of Germany

[73] Assignee: **Klockner-Humboldt-Deutz Aktiengesellschaft**, Cologne, Germany

[**] Term: **14 Years**

[21] Appl. No.: **677,293**

[22] Filed: **Apr. 15, 1976**

[51] Int. Cl. **D15-03**

[52] U.S. Cl. **D15/23**

[58] Field of Search **D15/23, 26; 180/1 F, 180/54 D, 89 R, 89 A; 296/28 R**

[56] **References Cited**

PUBLICATIONS

Implement & Tractor, 1/7/75, p. 13, tractor, center of page.

Primary Examiner—Wallace R. Burke
Assistant Examiner—James M. Gandy
Attorney, Agent, or Firm—Walter Becker

[57] **CLAIM**

The ornamental design for a tractor, as shown.

DESCRIPTION

FIG. 1 is a front and left side perspective view of a tractor showing our new design;

FIG. 2 is a left side elevational view thereof;

FIG. 3 is a top plan view thereof;

FIG. 4 is a right side elevational view thereof;

FIG. 5 is a rear elevational view thereof; and

FIG. 6 is a front elevational view thereof.

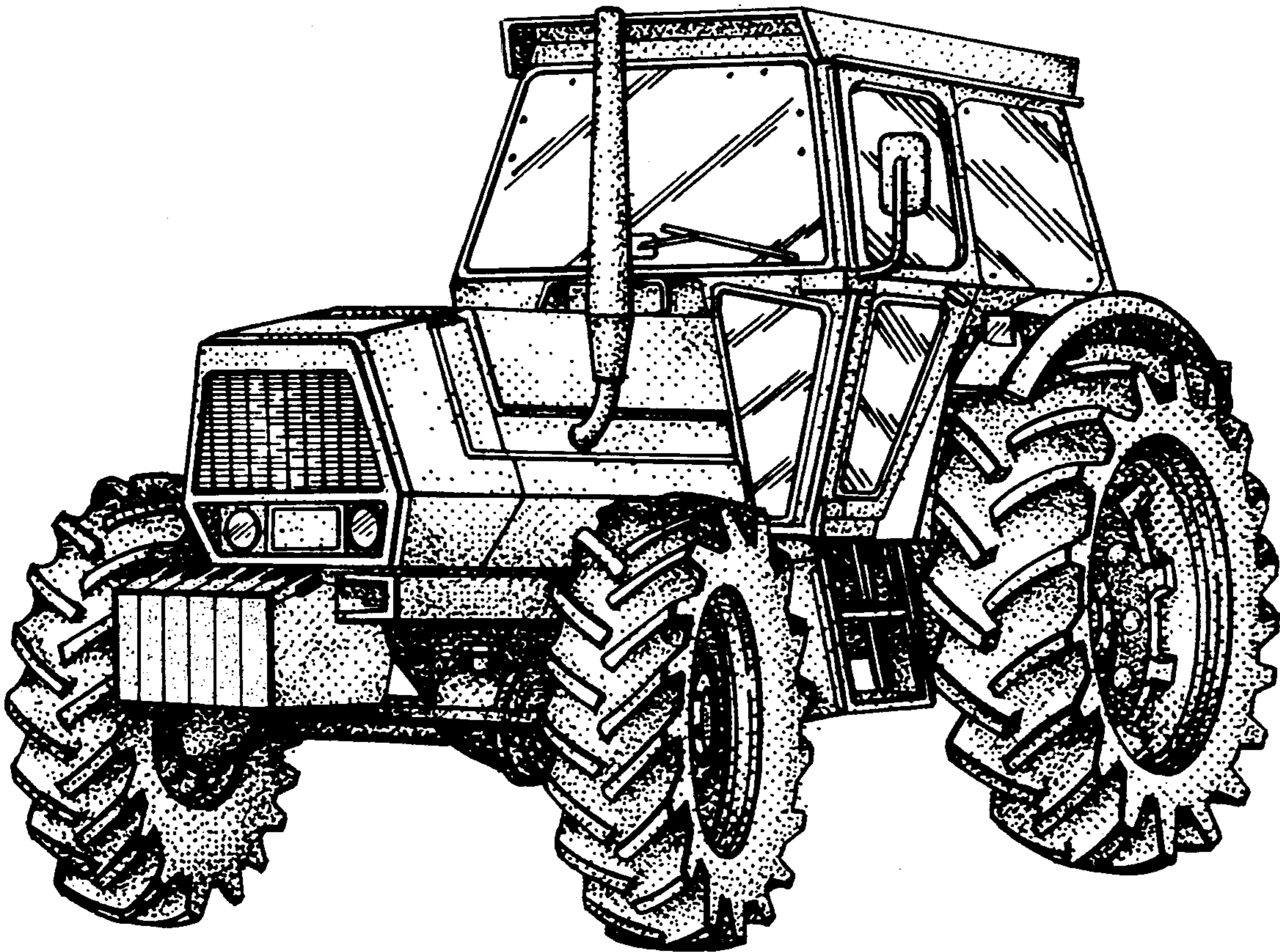


FIG-1

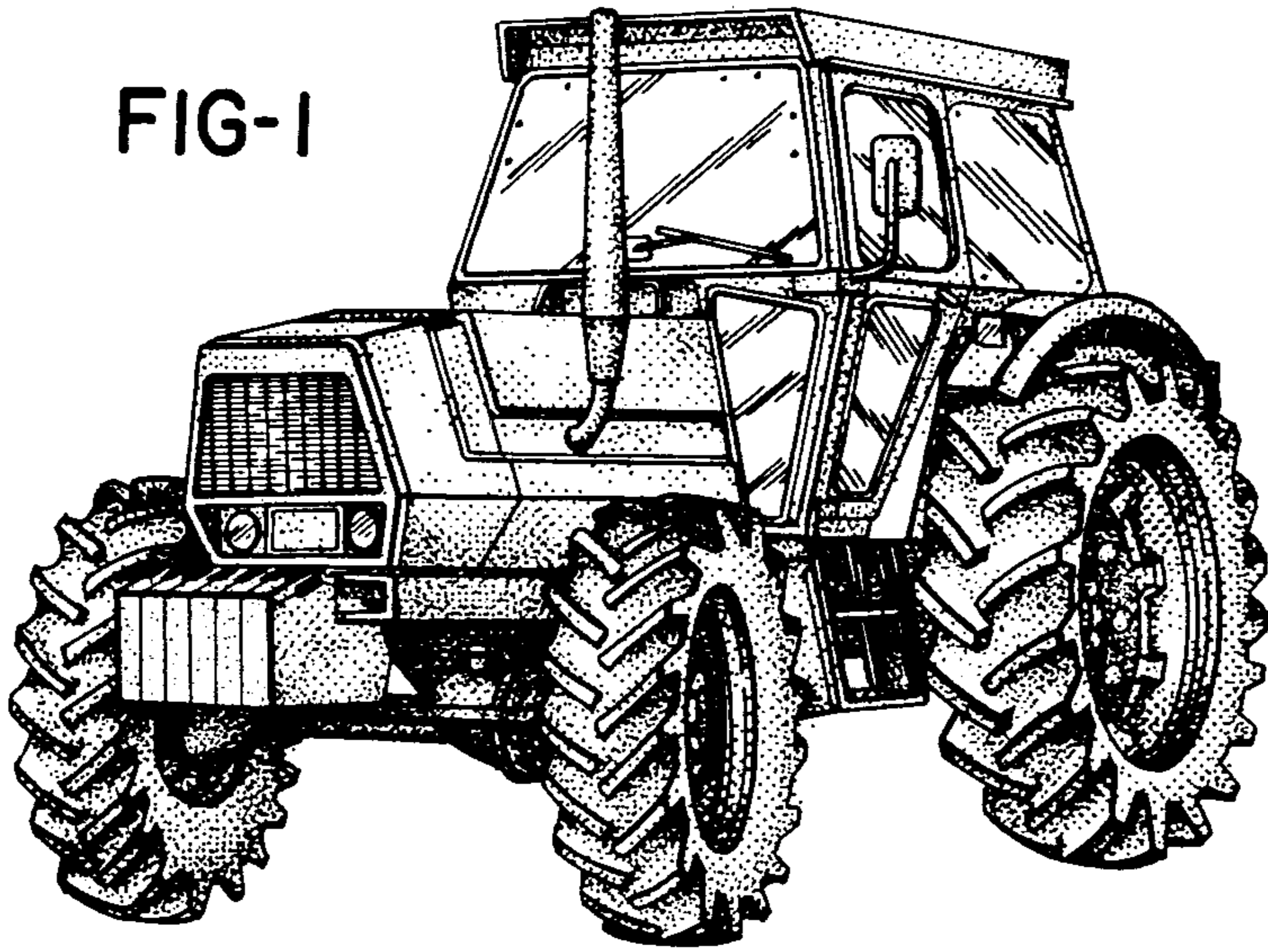


FIG-2

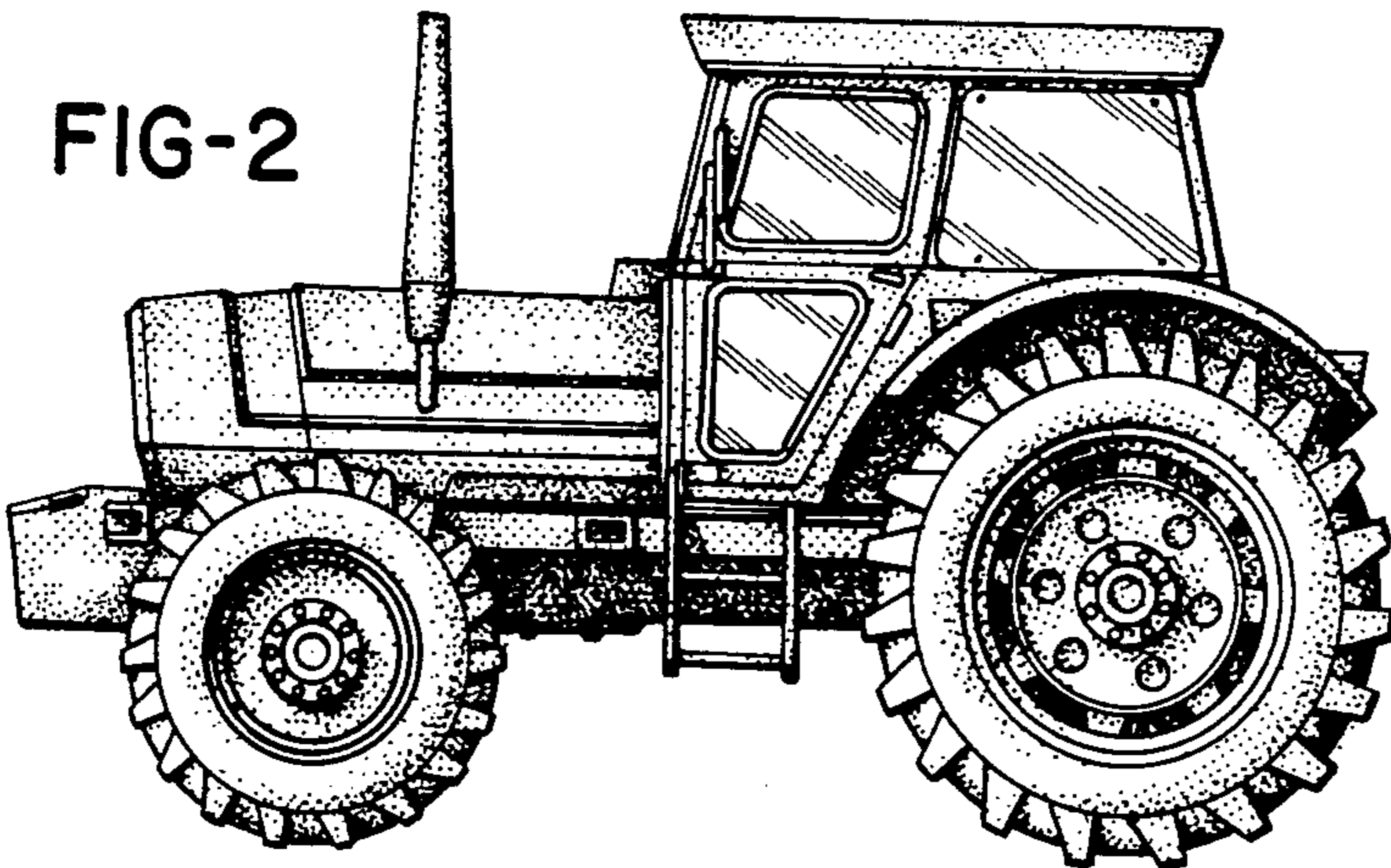


FIG-3

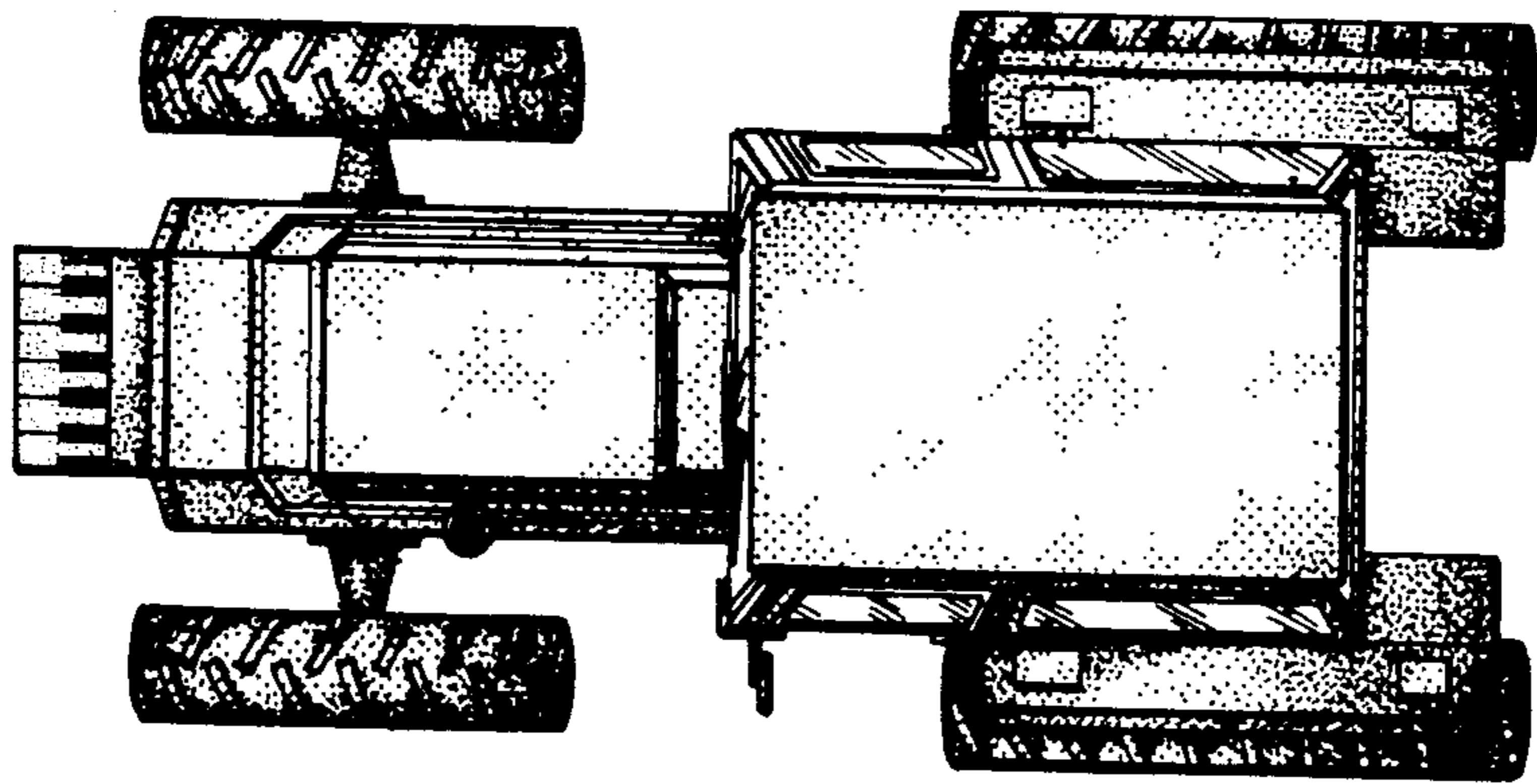


FIG-4

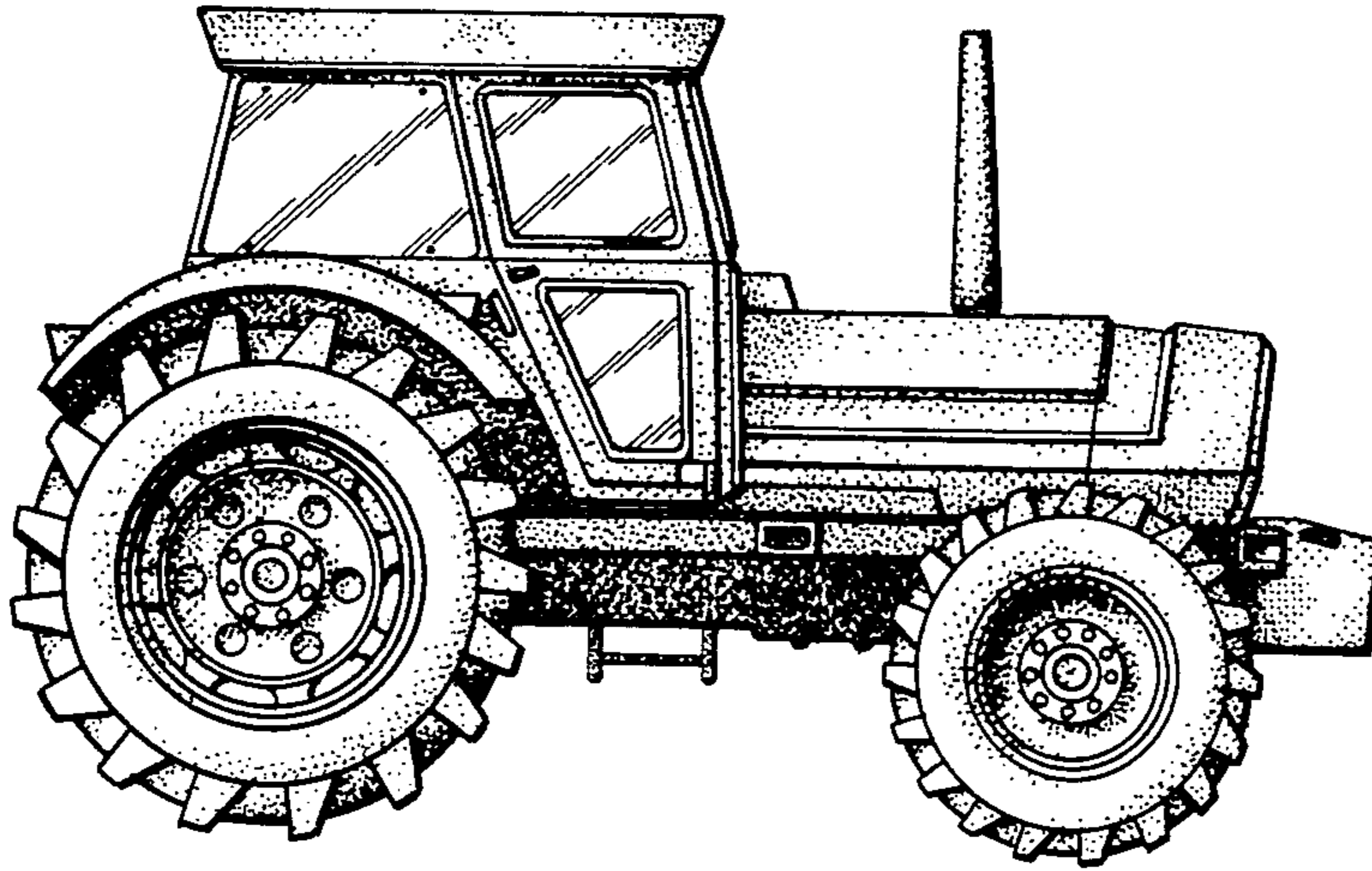


FIG-5

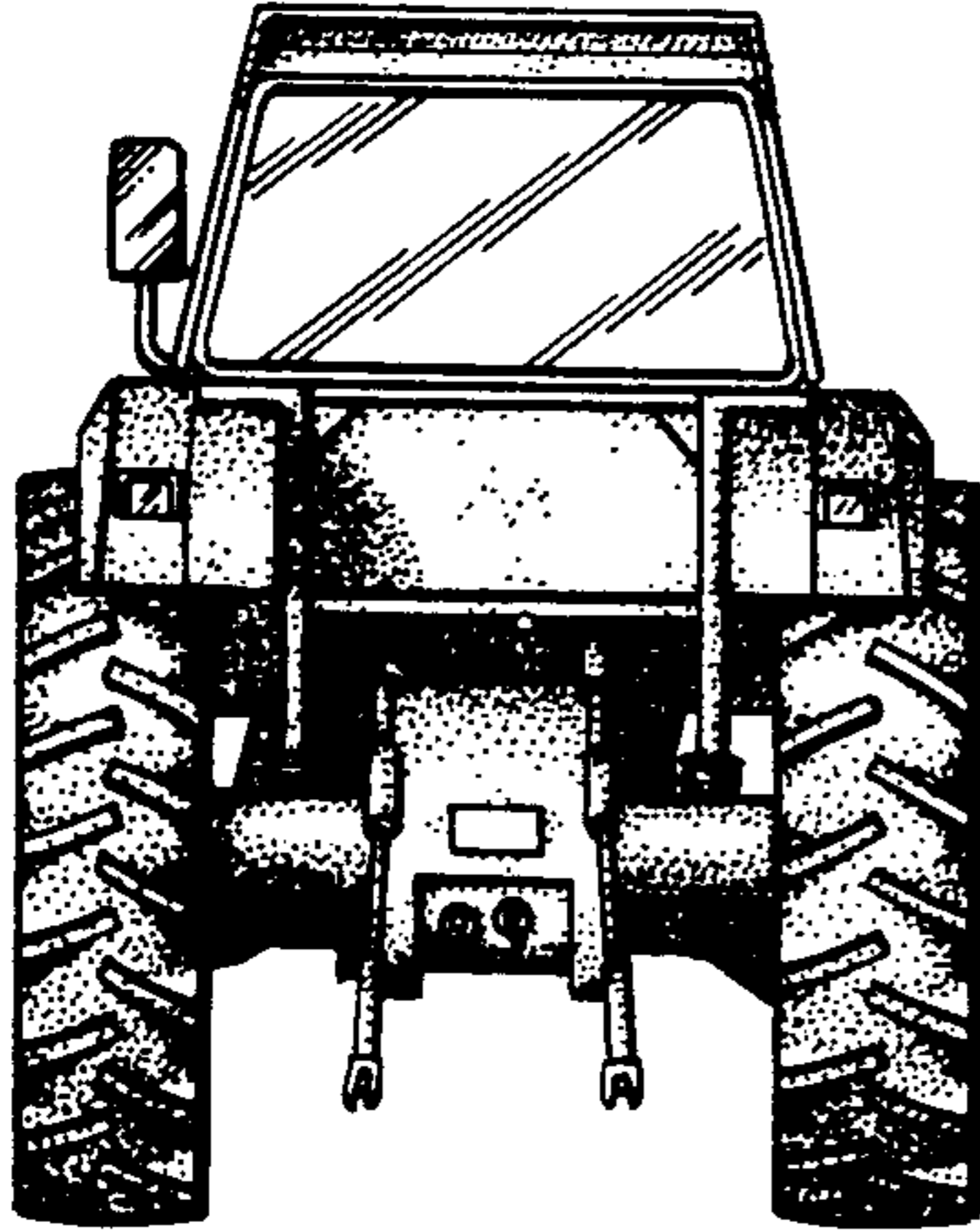


FIG-6

