

[54] **CLEANING ARM FOR PHONOGRAPH RECORDS**

[75] Inventors: **Philip Brian Arbib**, Chalfont St. Peter; **Douglas Charles Bruce**, Barkway near Royston, both of England

[73] Assignee: **Bib Hi-Fi Accessories Ltd.**, Hemel Hempstead, England

[\*\*] Term: **14 Years**

[21] Appl. No.: **715,569**

[22] Filed: **Aug. 18, 1976**

[51] Int. Cl. .... **D14-01**

[52] U.S. Cl. .... **D14/27**

[58] Field of Search ..... **D14/1, 2, 5-7, D14/14, 16-25, 27-30, 34, 68-77, 79-83, 96, 99**

[56] **References Cited**

**U.S. PATENT DOCUMENTS**

D. 95,198	4/1935	Ansley .....	D14/27
D. 233,048	10/1974	Shelton et al. ....	D14/27
3,945,647	3/1976	Rangabe .....	274/47
3,965,520	6/1976	Maier .....	274/47 X

*Primary Examiner*—Joel Stearman  
*Assistant Examiner*—J. Corrigan  
*Attorney, Agent, or Firm*—Eric H. Waters

[57] **CLAIM**

The ornamental design for a cleaning arm for phonograph records, as shown and described.

**DESCRIPTION**

FIG. 1 is a front, top and right side perspective view of a cleaning arm for phonograph records showing our new design;

FIG. 2 is a left side elevational view;

FIG. 3 is a rear elevational view; and

FIG. 4 is a bottom plan view.

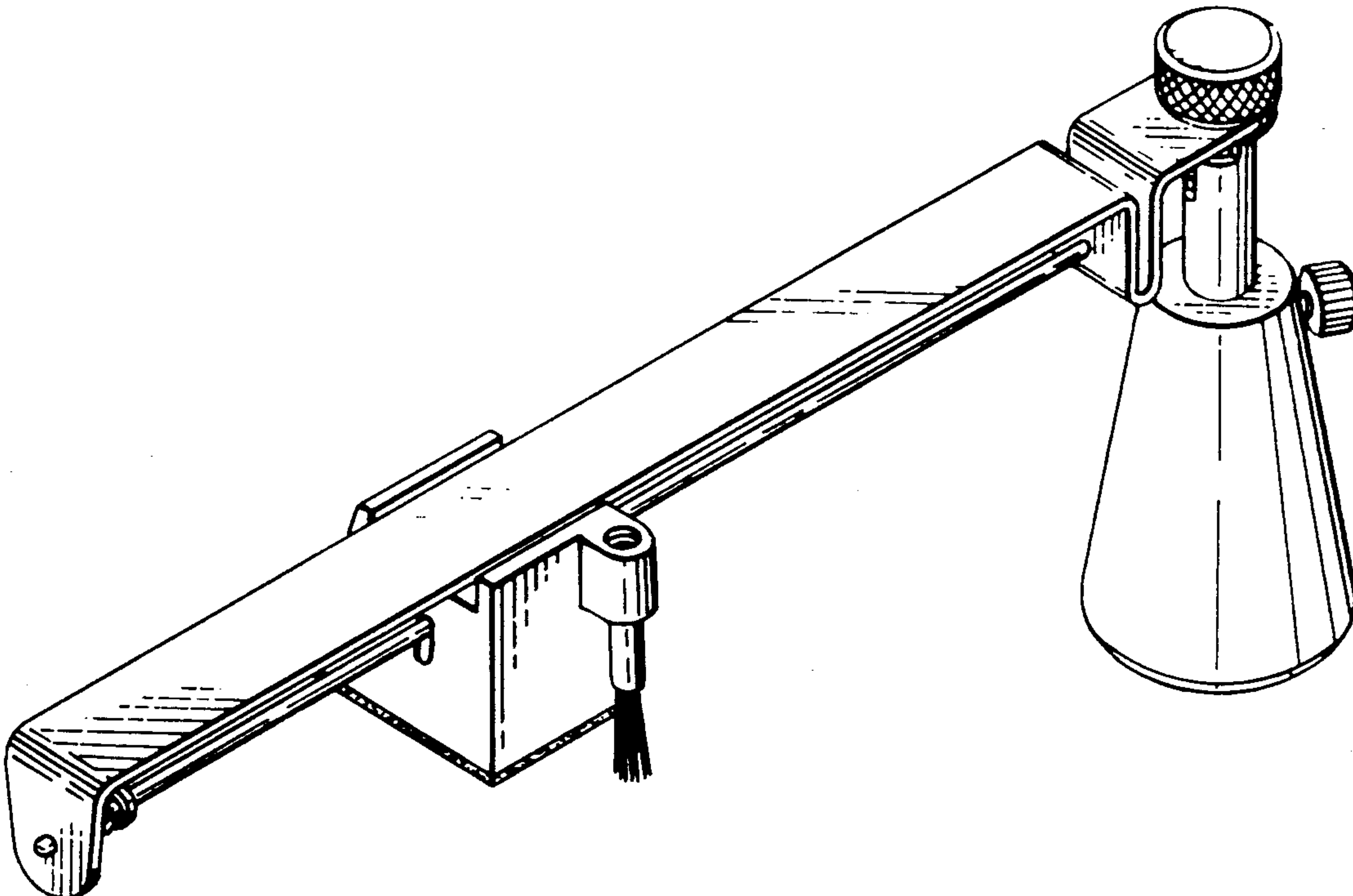


FIG. 1.

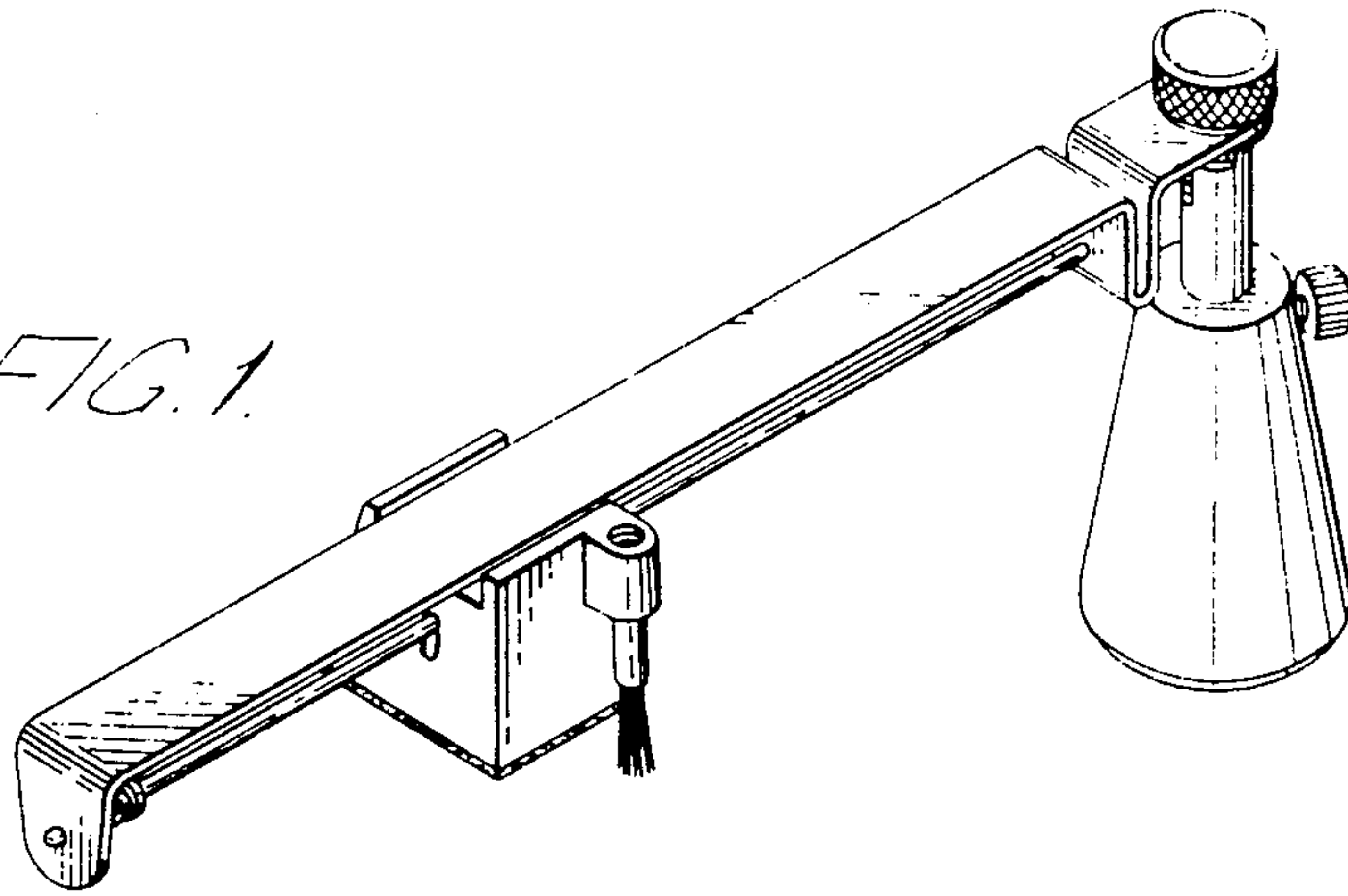


FIG. 2.

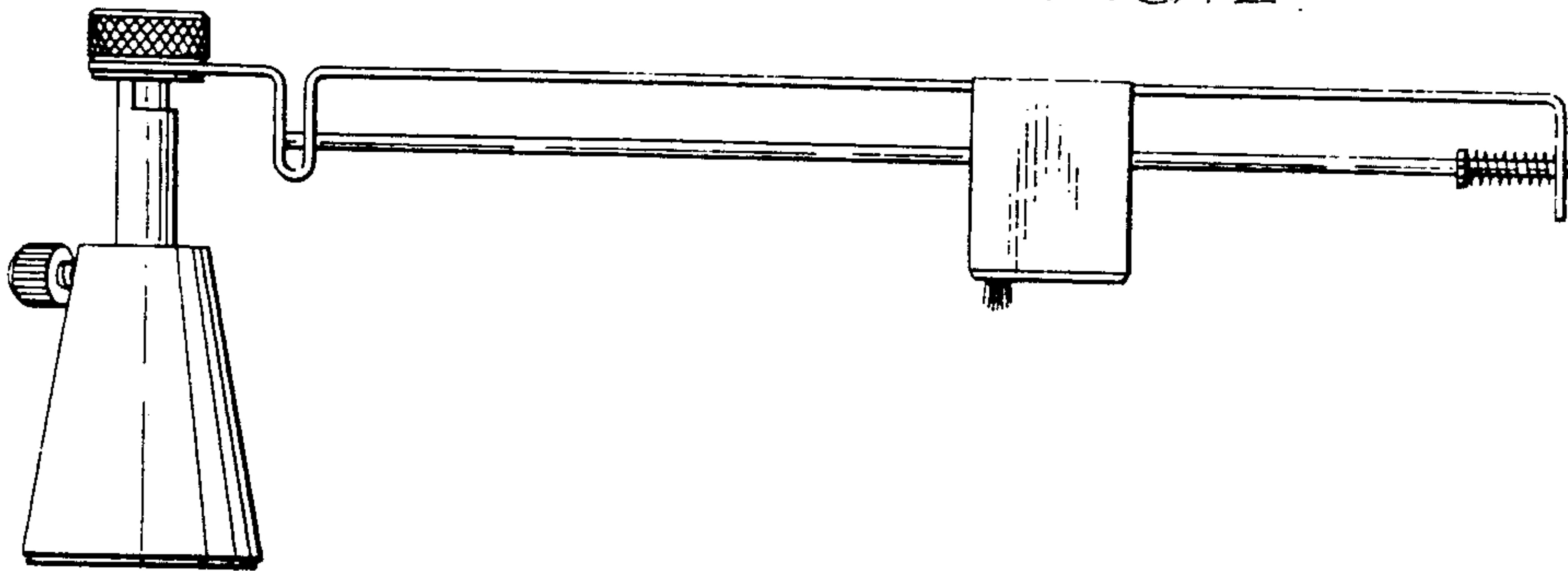


FIG. 3.

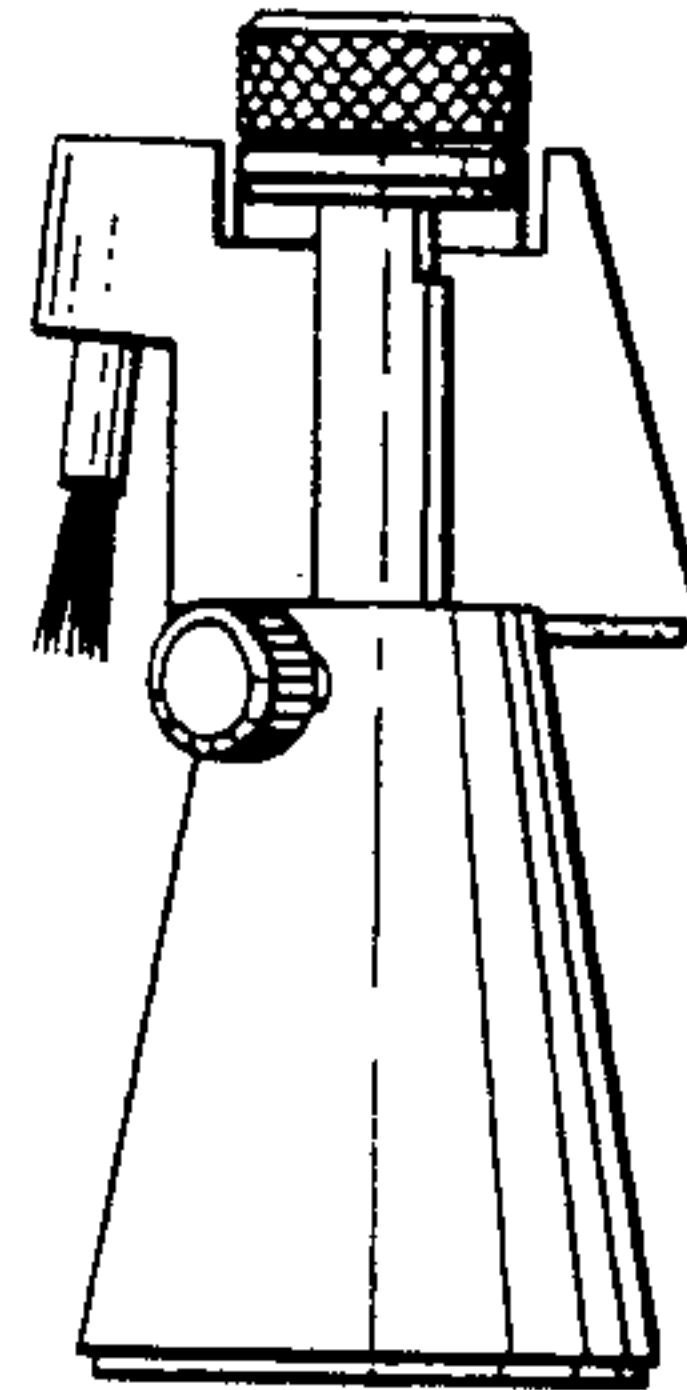


FIG. 4.

