

[54] STROLLER

[75] Inventor: Curtis Albert Sparkes, Altrincham, England

[73] Assignee: Lamondine S.A., Switzerland

[**] Term: 14 Years

[21] Appl. No.: 673,918

[22] Filed: Apr. 5, 1976

[30] Foreign Application Priority Data

Oct. 6, 1975 United Kingdom 972790/75

Oct. 6, 1975 United Kingdom 972791/75

[51] Int. Cl. D12-12

[52] U.S. Cl. D12/129

[58] Field of Search D12/129, 131; 297/45, 297/39, DIG. 4; 280/242 WC, 87.02 W, 47.38, 642, 647, 658, 657, 650; 296/28 B

[56] References Cited

U.S. PATENT DOCUMENTS

D. 239,523 4/1976 Firth et al. D12/129
3,989,295 11/1976 Sparkes 297/45

Primary Examiner—Wallace R. Burke
Assistant Examiner—James M. Gandy
Attorney, Agent, or Firm—Roberts B. Larson

[57] CLAIM

The ornamental design for a stroller, as shown.

DESCRIPTION

FIG. 1 is a top perspective view of the stroller showing my new design;
FIG. 2 is a front elevational view thereof;
FIG. 3 is a rear elevational view thereof;
FIG. 4 is a side elevational view thereof;
FIG. 5 is a bottom plan view thereof; and
FIG. 6 is a front elevational view thereof in folded condition.

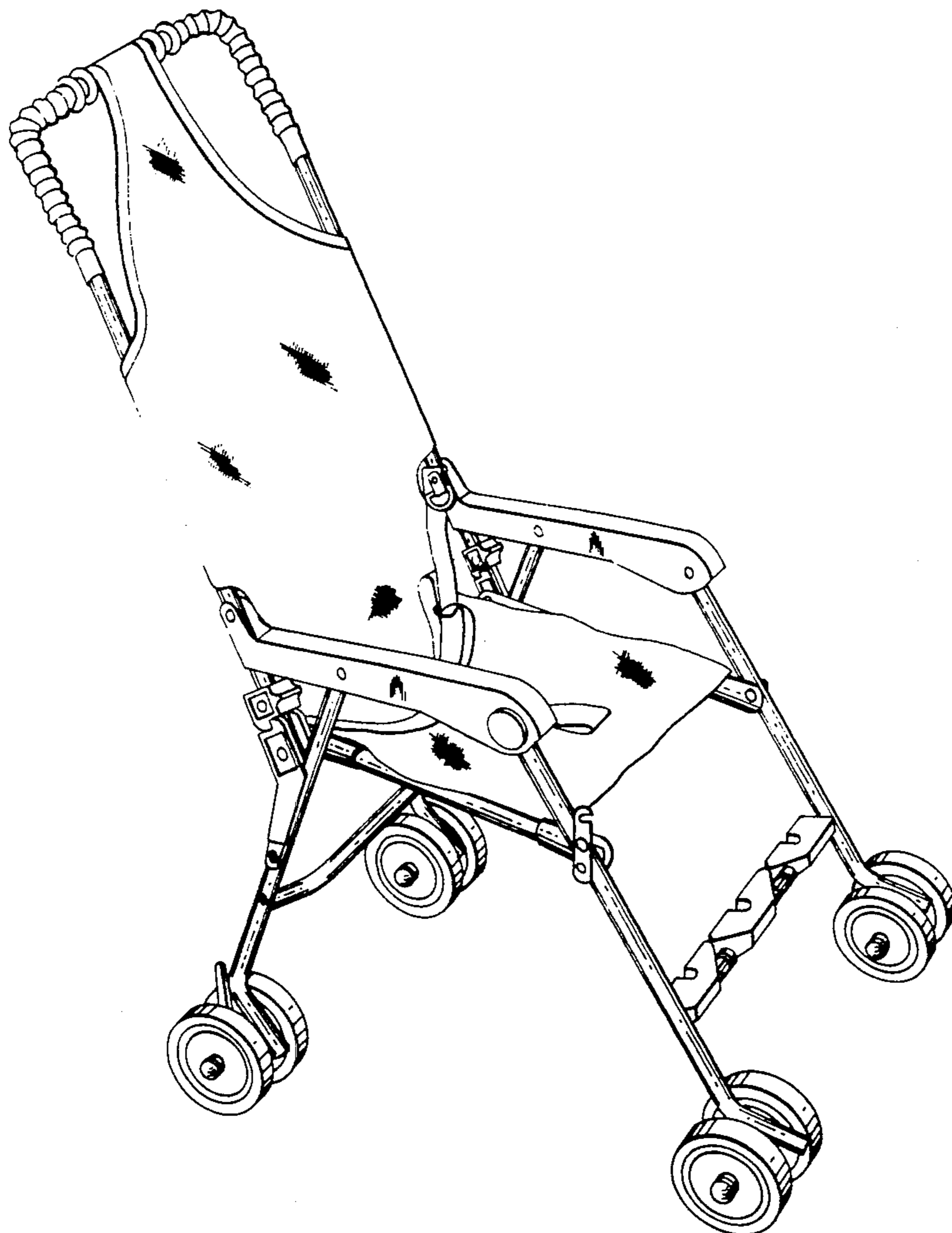
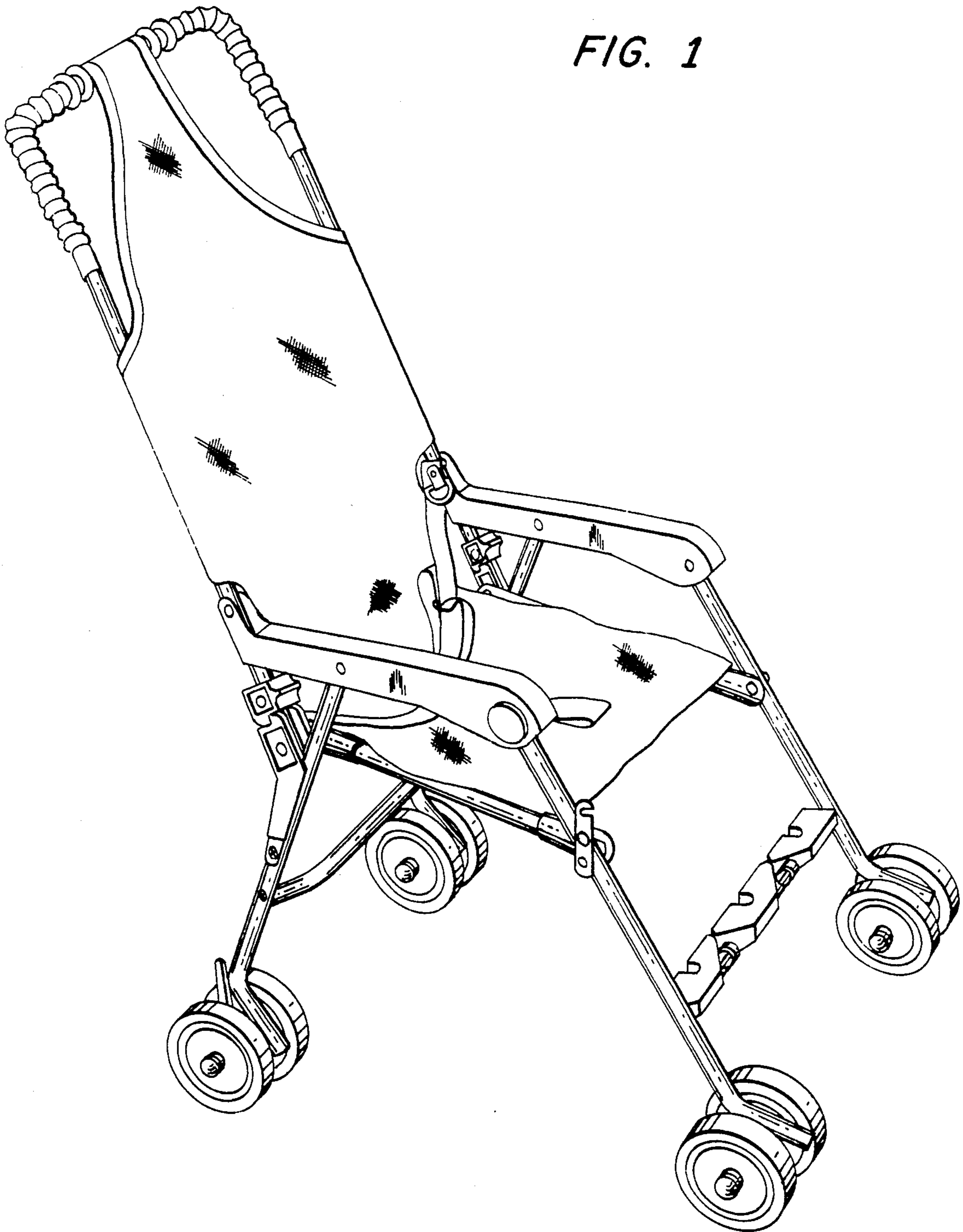


FIG. 1



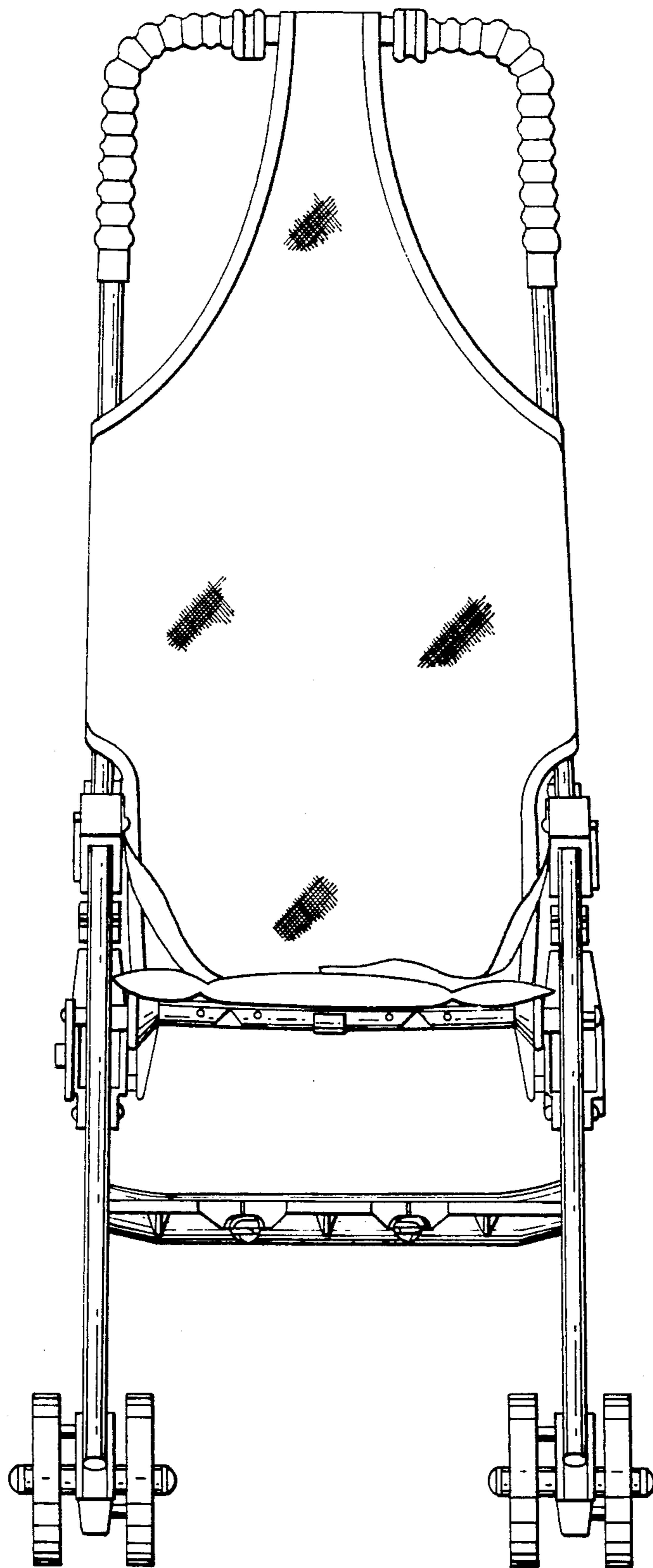


FIG. 2

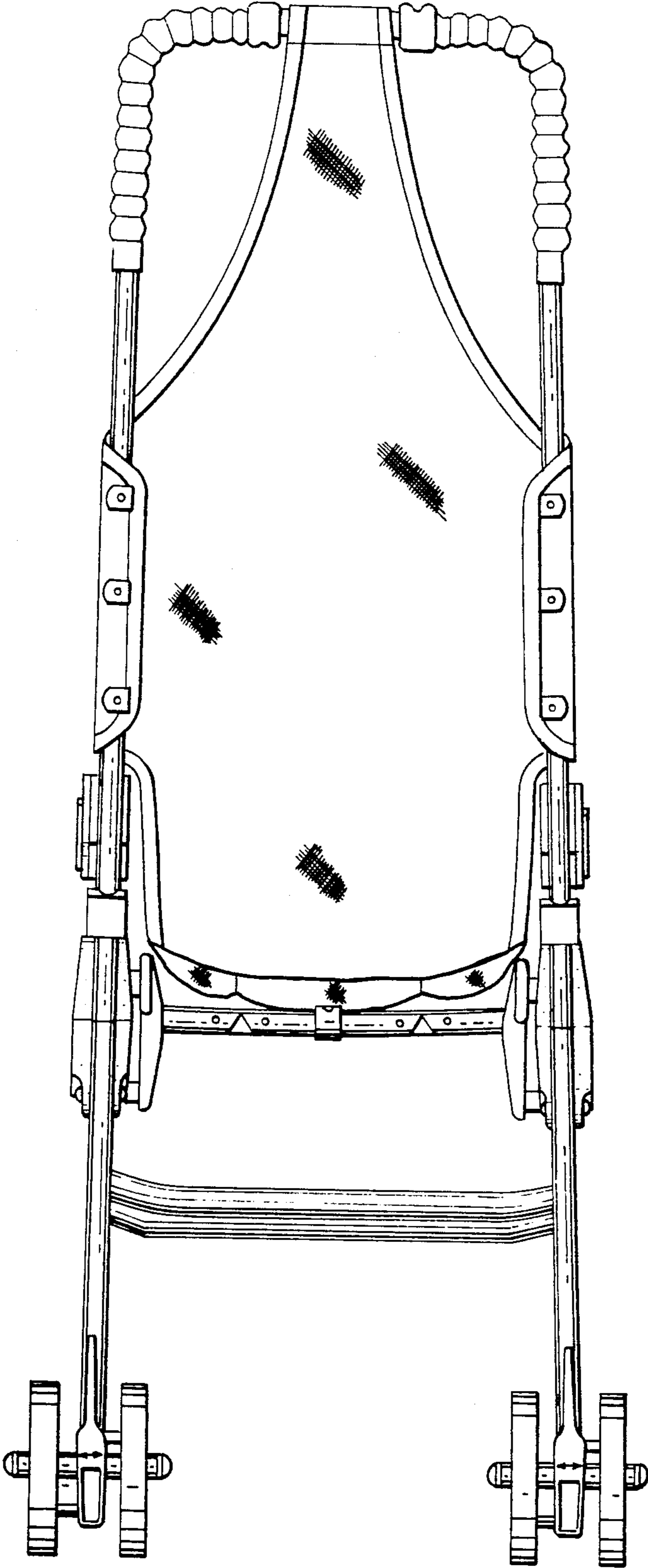
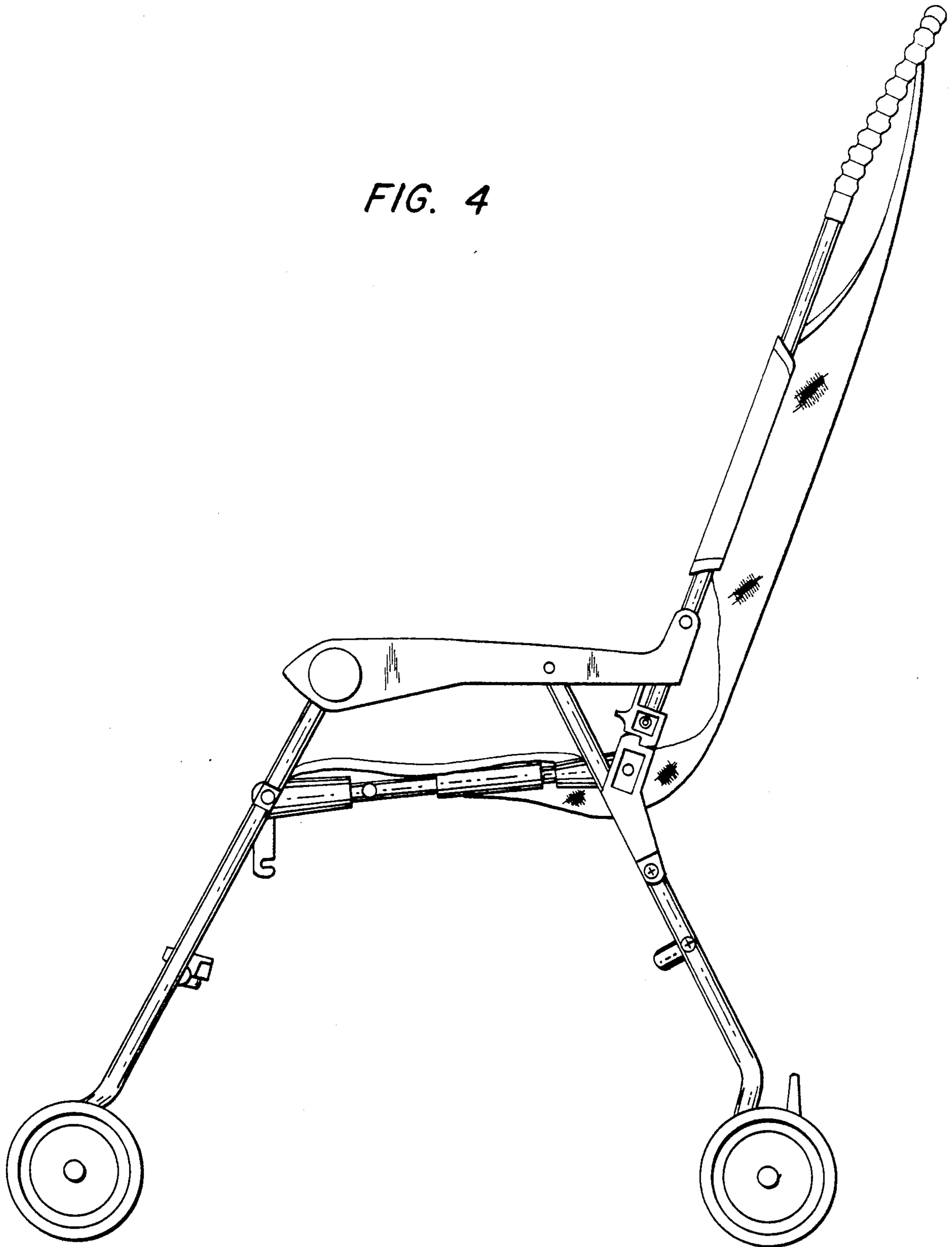


FIG. 3

FIG. 4



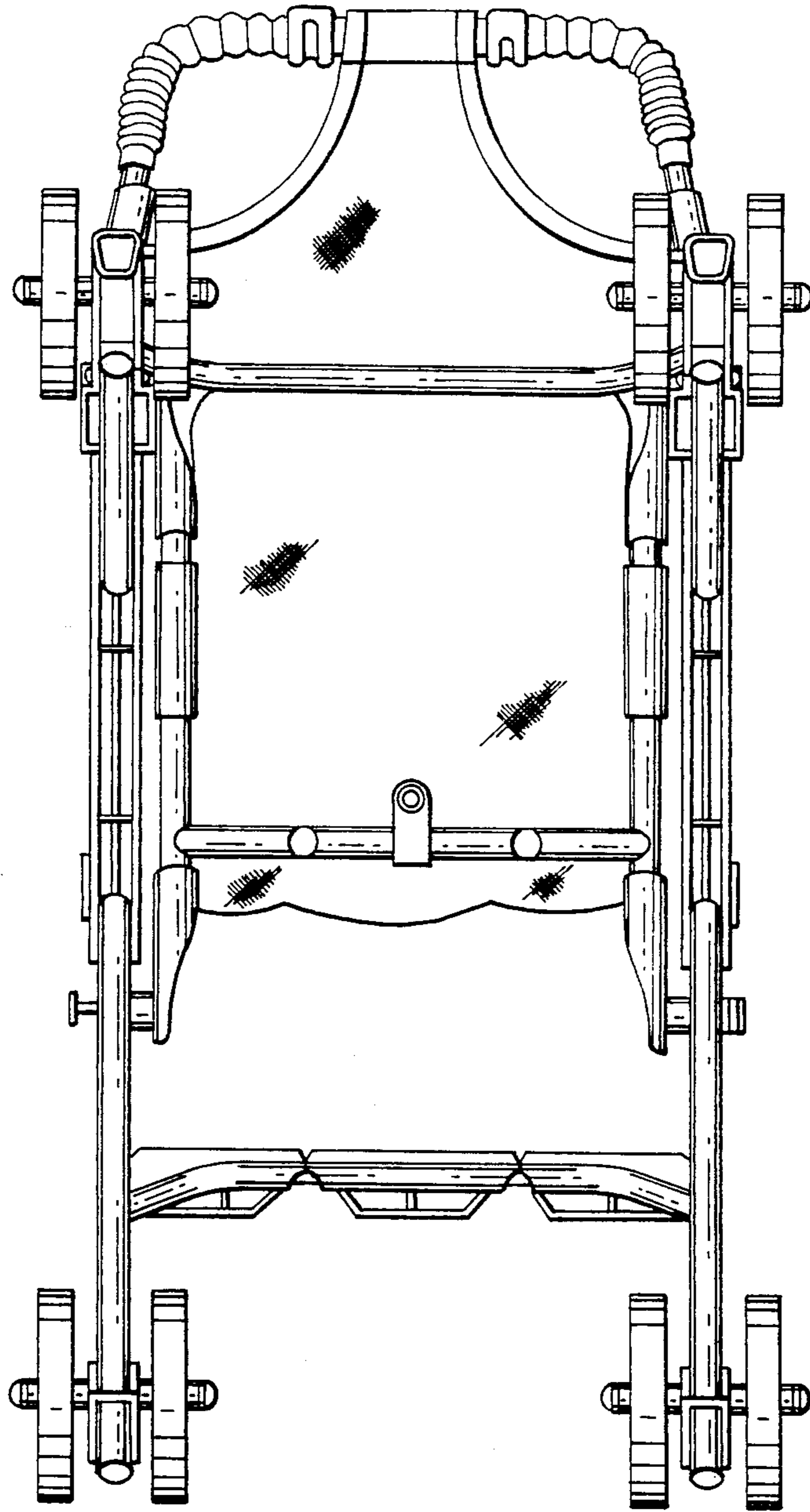


FIG. 5

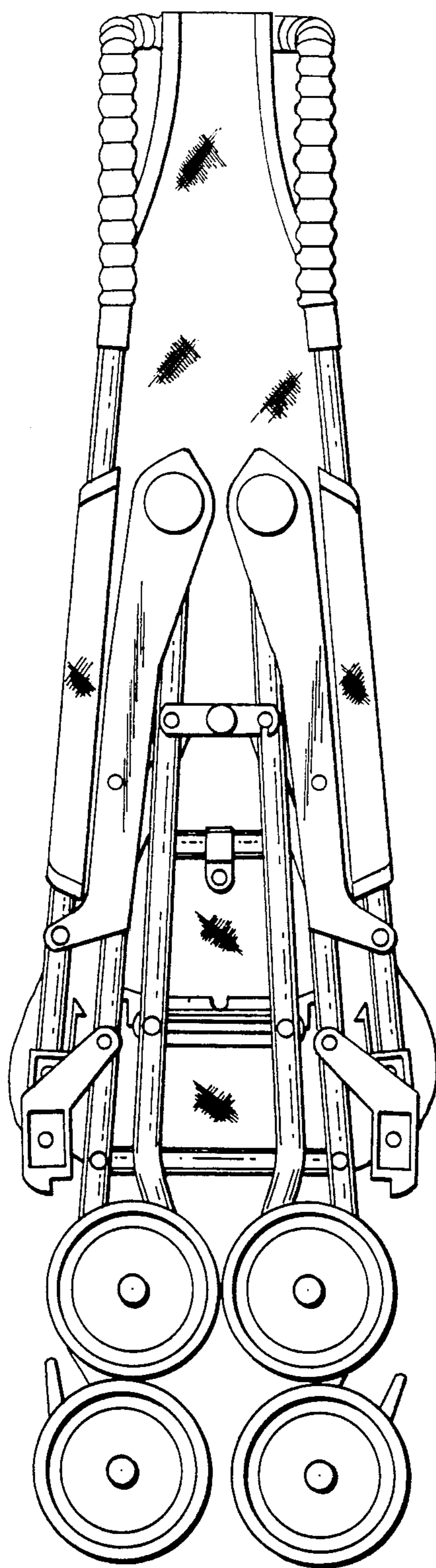


FIG. 6