

[54] **DISPENSING CLOSURE WITH POURING SPOUT**

[75] Inventor: **Geoffrey Alan Giles**, Reading, England

[73] Assignee: **Metal Box Limited**, Reading, England

[**] Term: **14 Years**

[21] Appl. No.: **672,775**

[22] Filed: **Apr. 1, 1976**

[30] **Foreign Application Priority Data**

Oct. 27, 1975 United Kingdom 973016/75

[51] Int. Cl. **D9—07**

[52] U.S. Cl. **D9/275**

[58] Field of Search 222/566-570;
D9/275-279, 264

[56] **References Cited**

U.S. PATENT DOCUMENTS

D. 194,890 3/1963 Marler D9/264
D. 209,933 1/1968 Wilson D9/275
D. 228,284 9/1973 Gryncewicz D9/275

3,036,746 5/1962 Hagen D9/275 X
3,045,860 7/1962 Desqaqne D9/275 X

Primary Examiner—Robert C. Spangler
Attorney, Agent, or Firm—Charles E. Brown

[57] **CLAIM**

The ornamental design for a dispensing closure with pouring spout, as shown and described.

DESCRIPTION

FIG. 1 is a top perspective view of a dispensing closure with pouring spout in its closed position showing my new design;

FIG. 2 is a top perspective view similar to FIG. 1 with the closure in its open position;

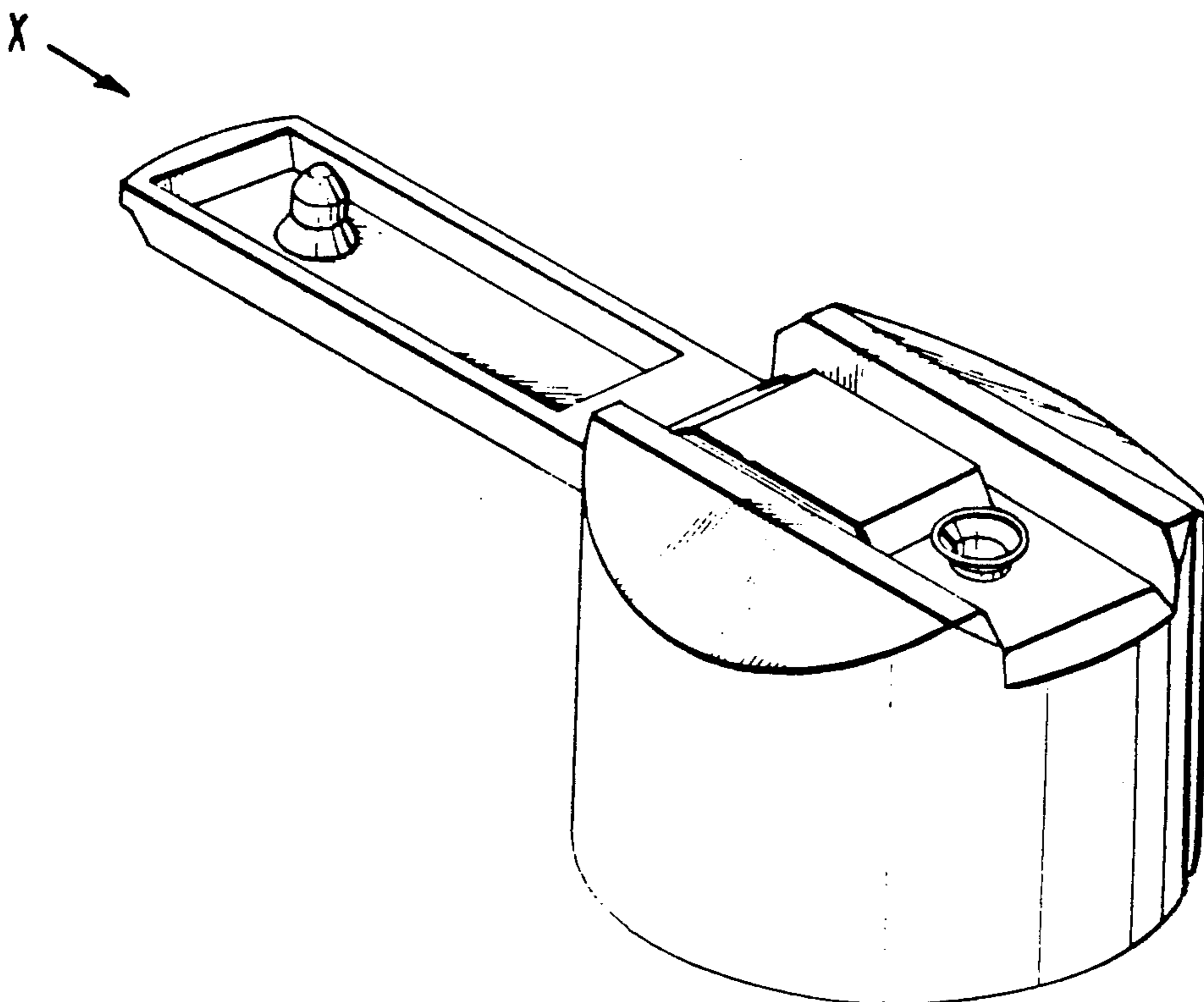
FIG. 3 is a side elevational view taken in the direction of the arrow X in FIG. 2;

FIG. 4 is a bottom plan view of the opened closure rotated from its position of FIG. 2;

FIG. 5 is a side elevational view of the closure in the position illustrated in FIG. 4;

FIG. 6 is a transverse vertical sectional view taken along the line 6—6 of FIG. 5; and

FIG. 7 is a longitudinal vertical sectional view taken along the line 7—7 of FIG. 4.



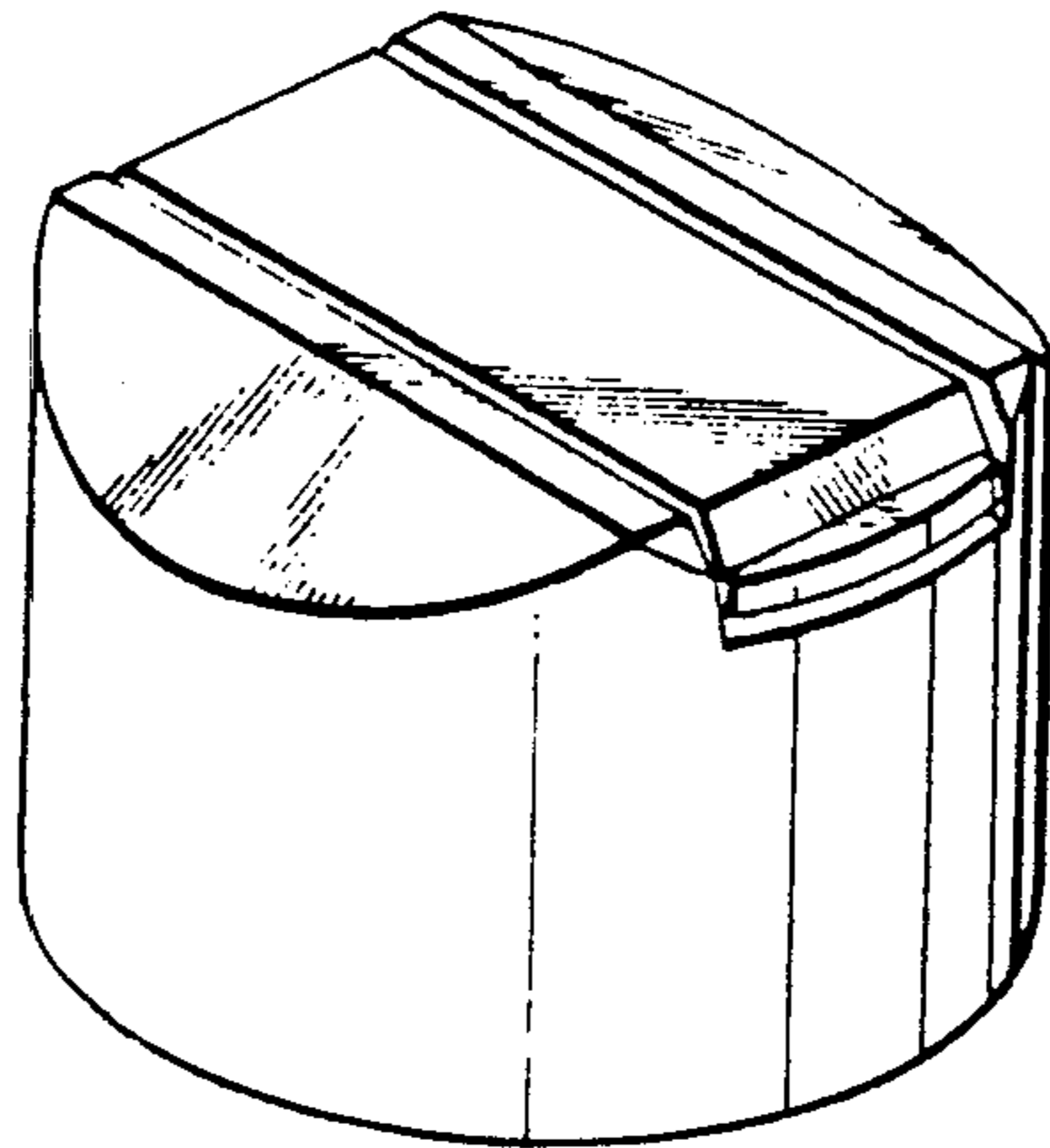


FIG. 1

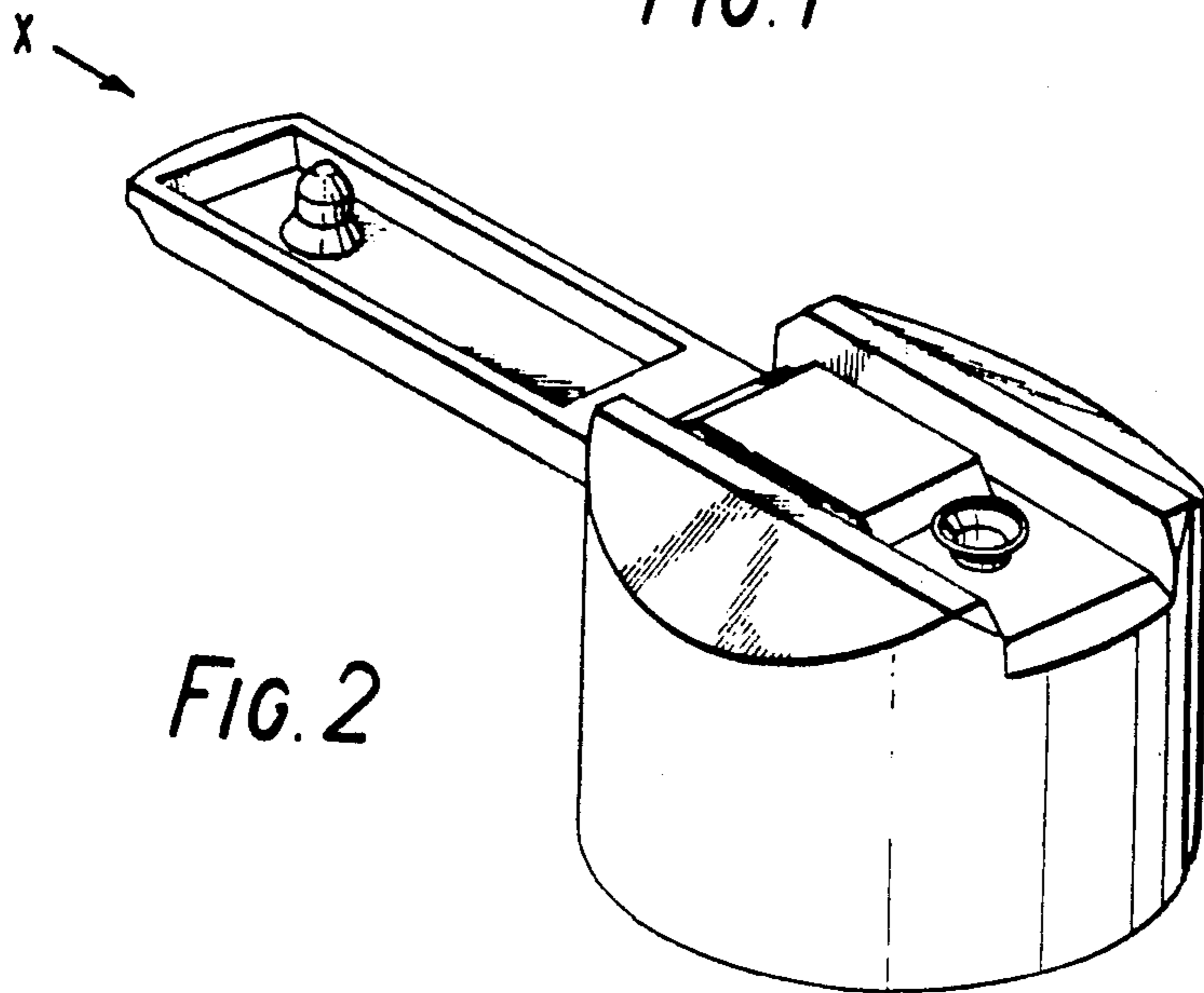


FIG. 2

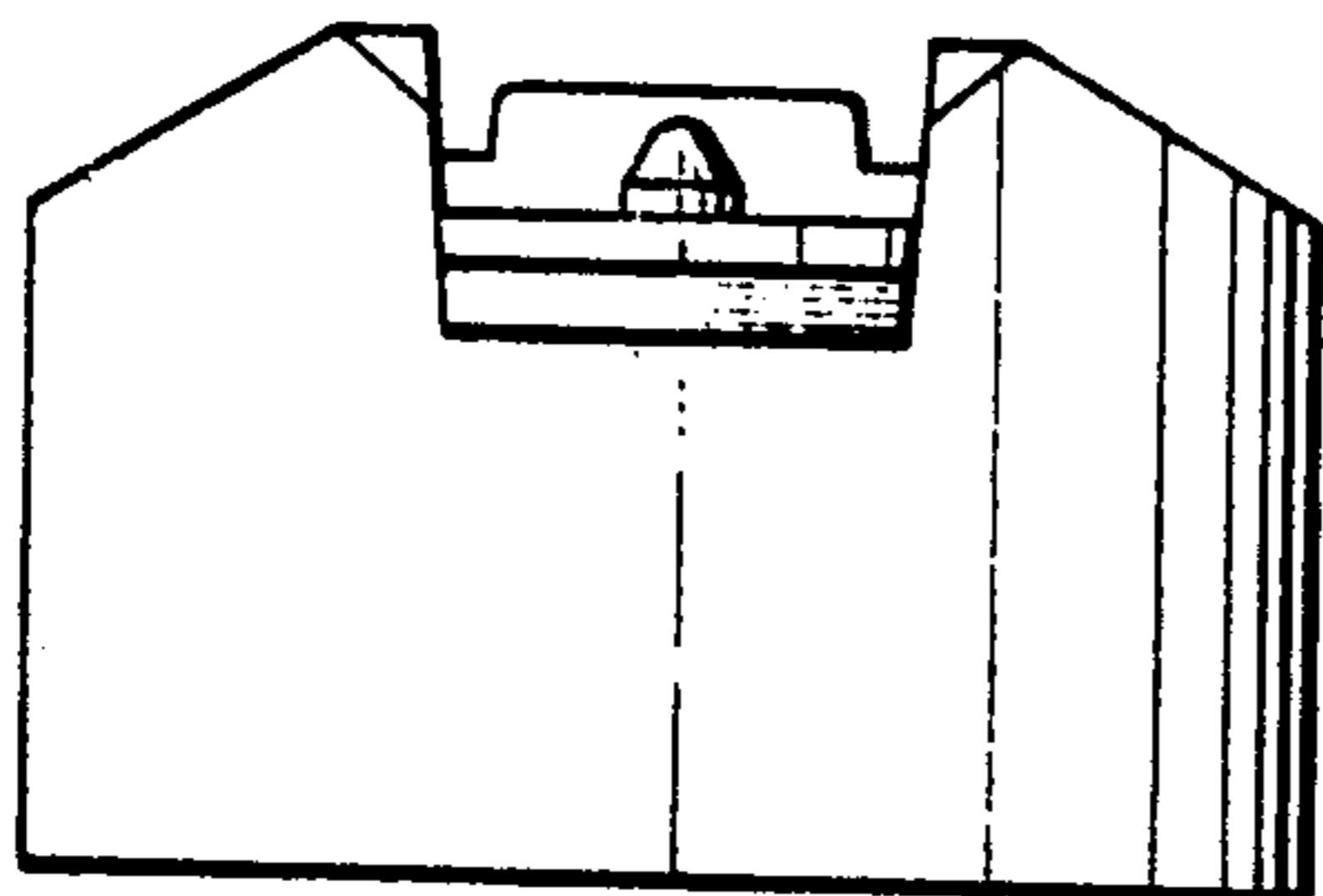


FIG. 3

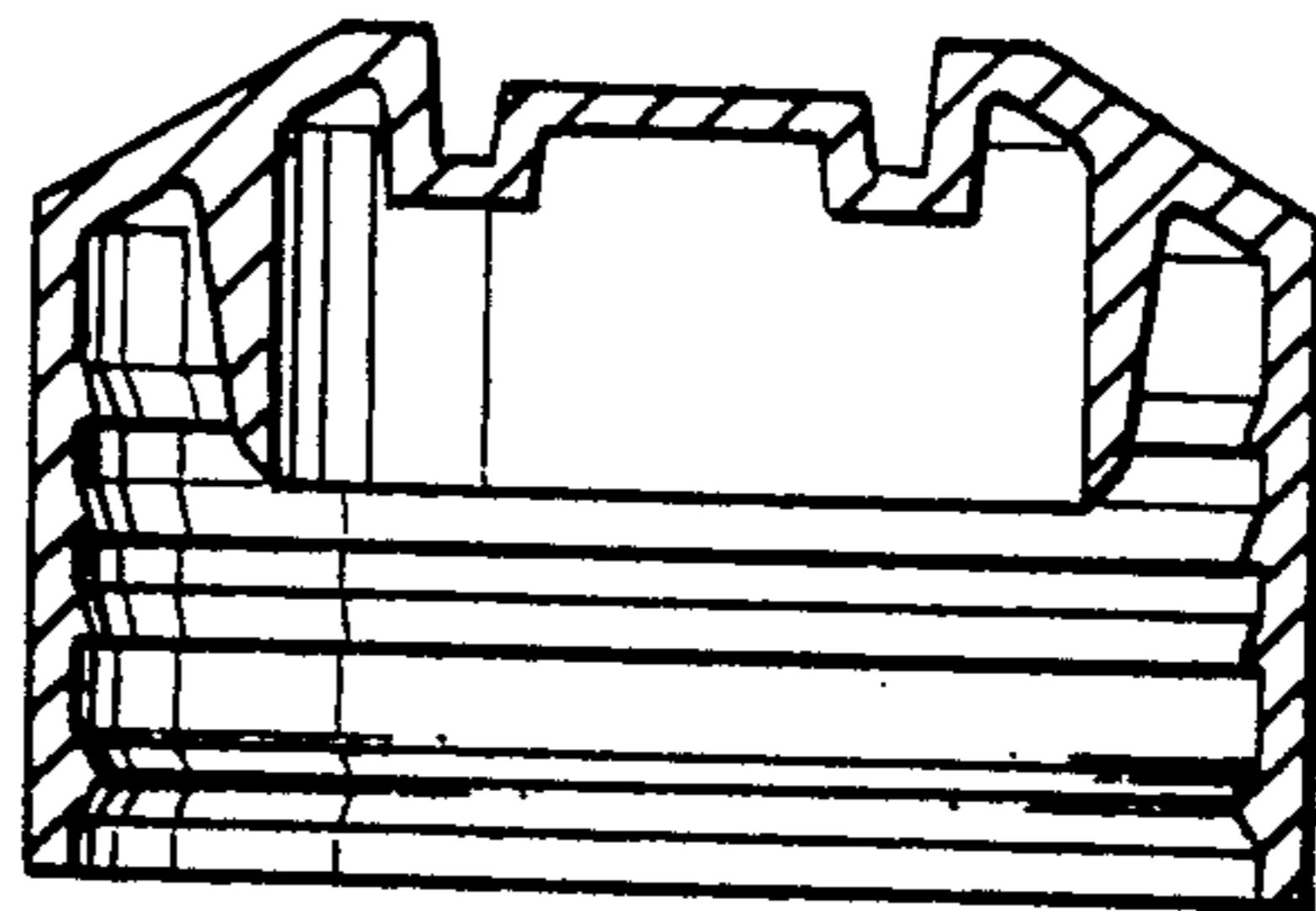


FIG. 6

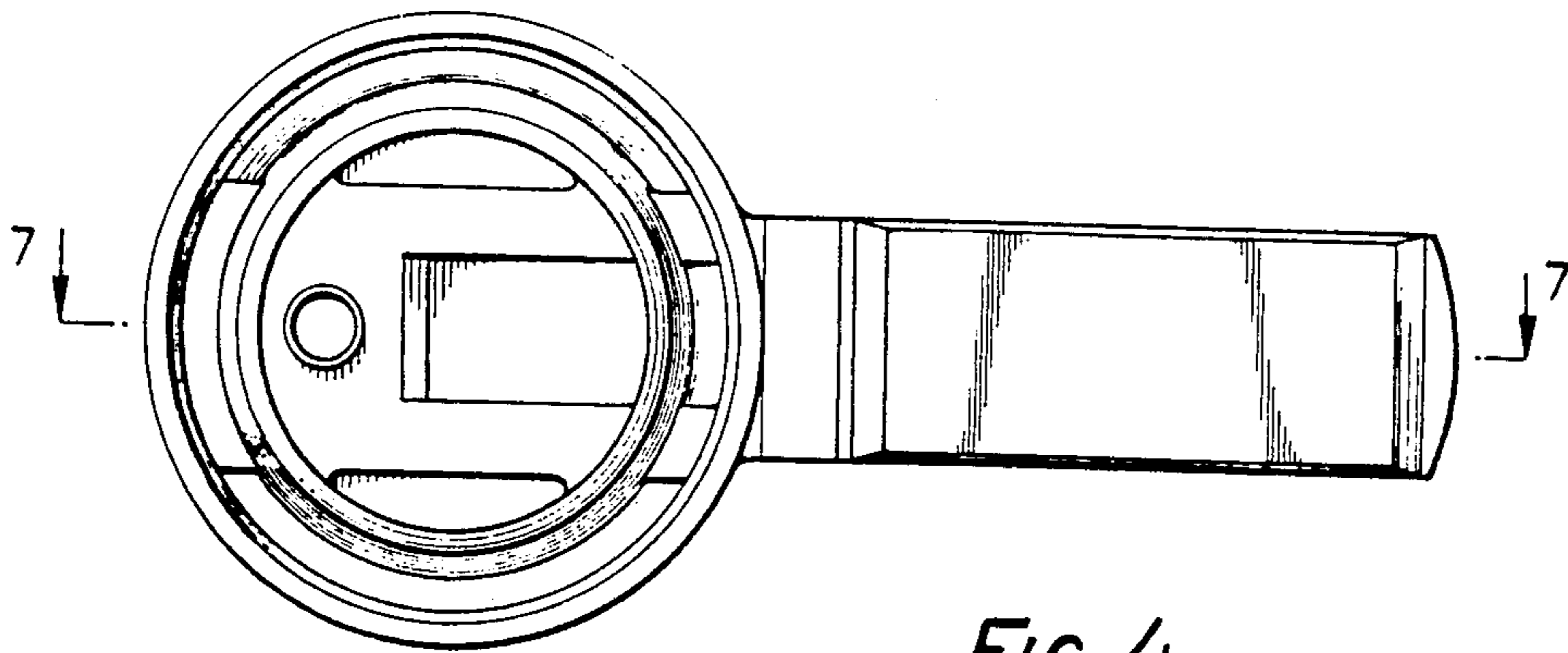


FIG. 4

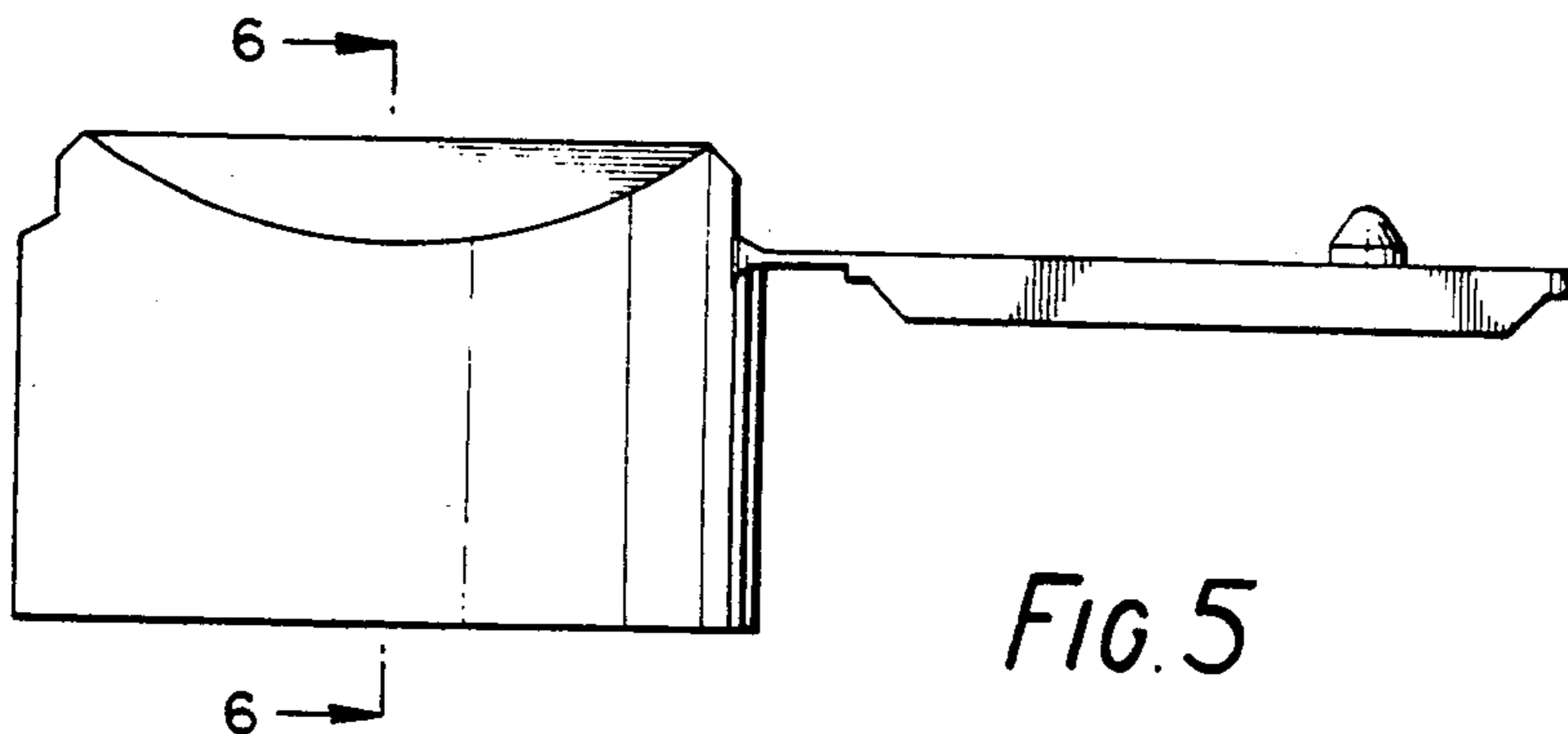


FIG. 5

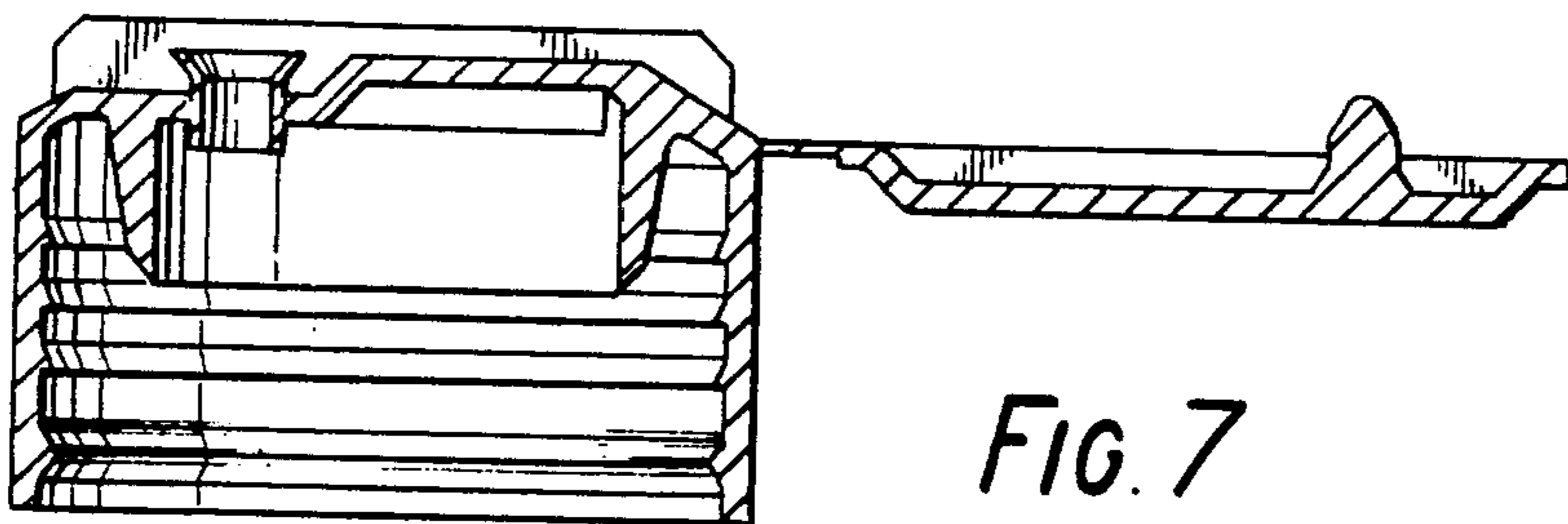


FIG. 7