

[54] COMBINED CHOPPING BLOCK AND KNIFE

[76] Inventor: Milton J. Grossman, 12804 E. Penn St., Whittier, Calif. 90602

[**] Term: 14 Years

[21] Appl. No.: 680,135

[22] Filed: Apr. 26, 1976

[51] Int. Cl. D7-04; D7-03

[52] U.S. Cl. D7/46

[58] Field of Search D7/46, 43, 142, 151, D7/137; 269/302.1; 30/124; 83/607, 733

[56] References Cited

U.S. PATENT DOCUMENTS

D. 162,794	4/1951	Derr	D7/142 X
2,223,828	12/1940	Larson	D7/46 X
3,018,806	1/1962	Moore	D7/46 X

FOREIGN PATENT DOCUMENTS

25,475 1/1884 Germany D7/46 X

OTHER PUBLICATIONS

Tableware International, July 1976, p. 26, Circular Chopping Block, 2nd figure from top.

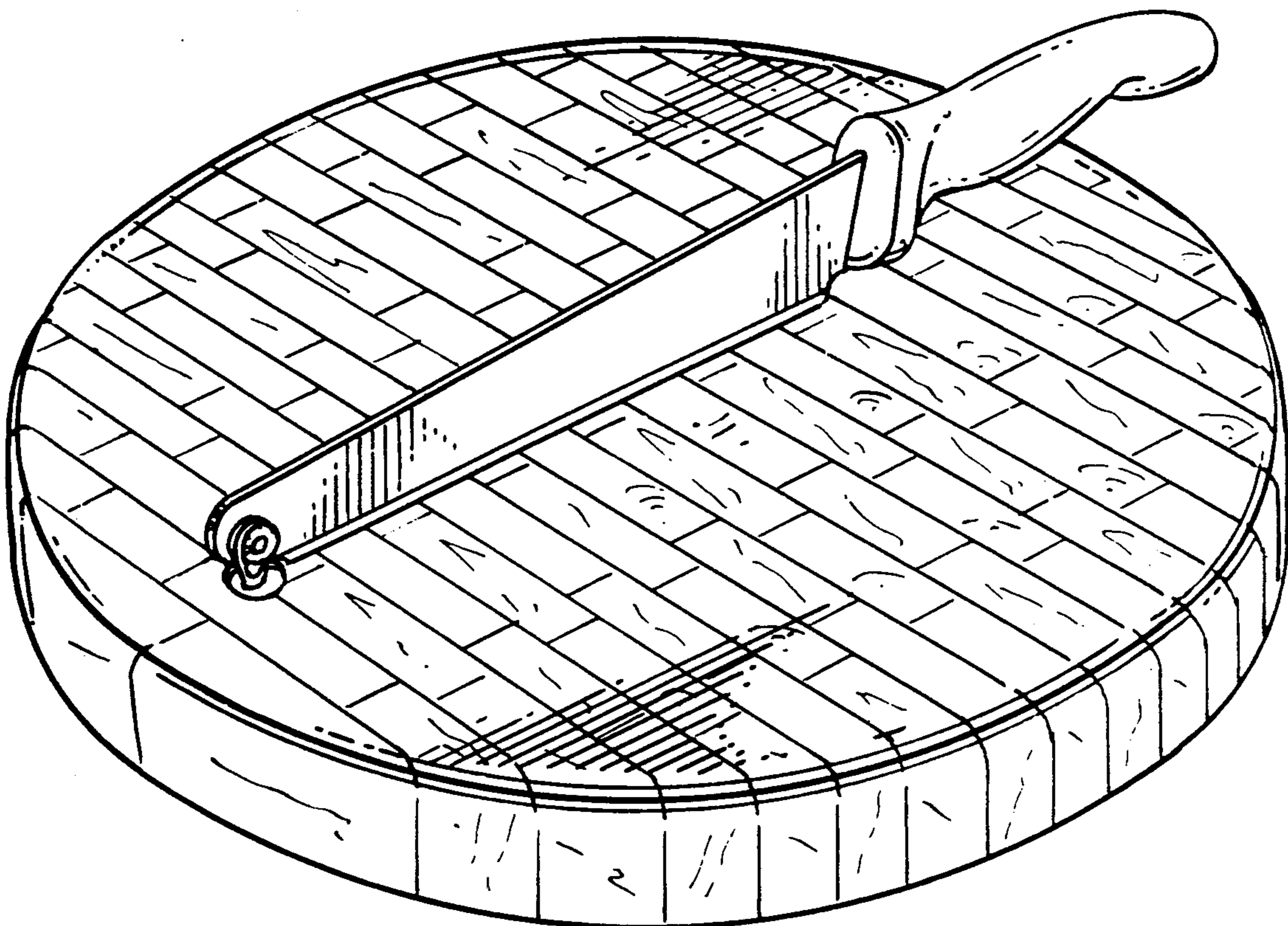
Primary Examiner—Winifred E. Herrmann
Attorney, Agent, or Firm—J. Carroll Baisch

[57] CLAIM

The ornamental design for a combined chopping block and knife, as shown.

DESCRIPTION

FIG. 1 is a perspective view of a combined chopping block and knife showing my new design; FIG. 2 is a top plan view thereof; FIG. 3 is a side-elevational view thereof; and FIG. 4 is a bottom plan view thereof.



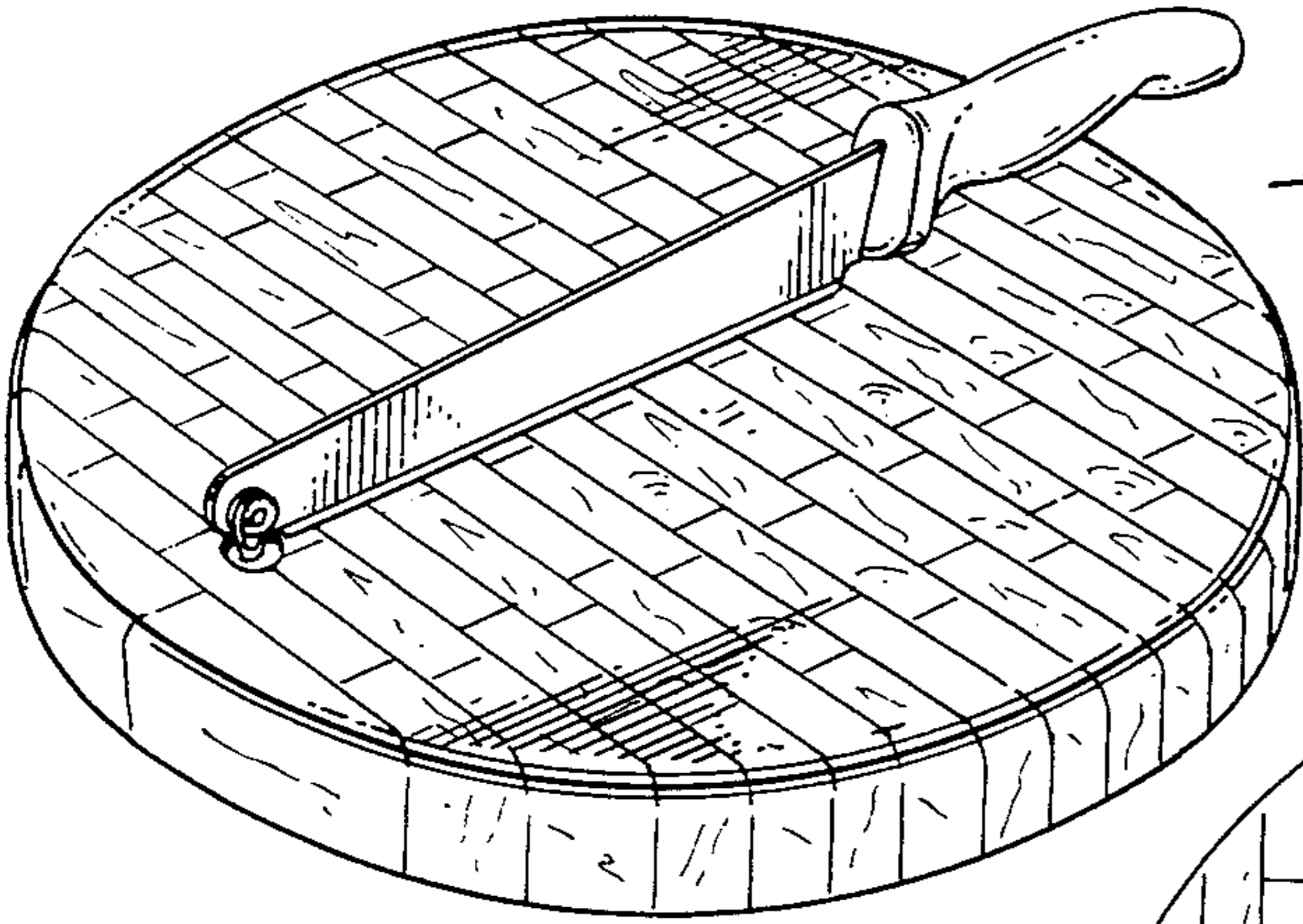


FIG. 1.

FIG. 2.

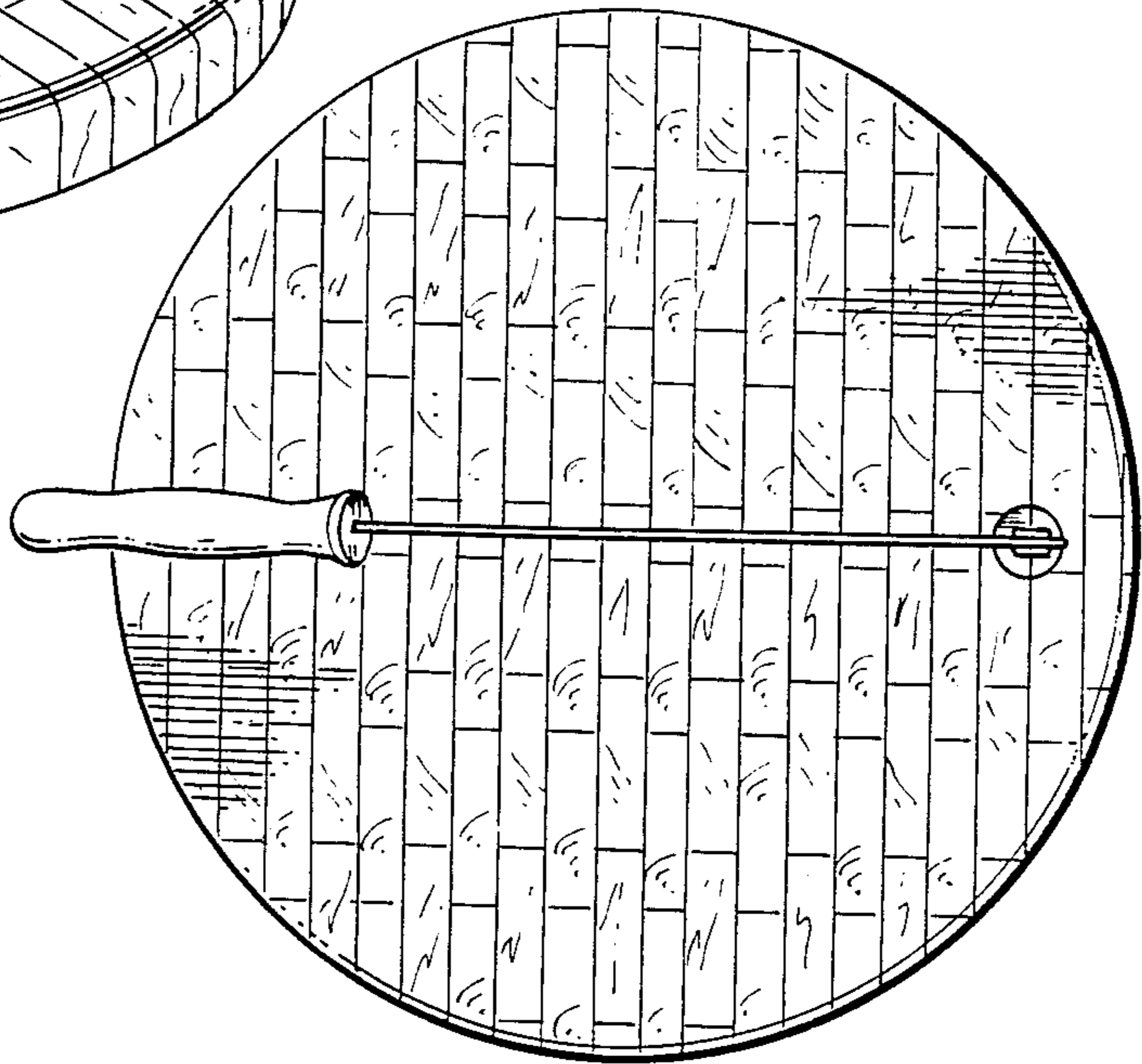


FIG. 3.

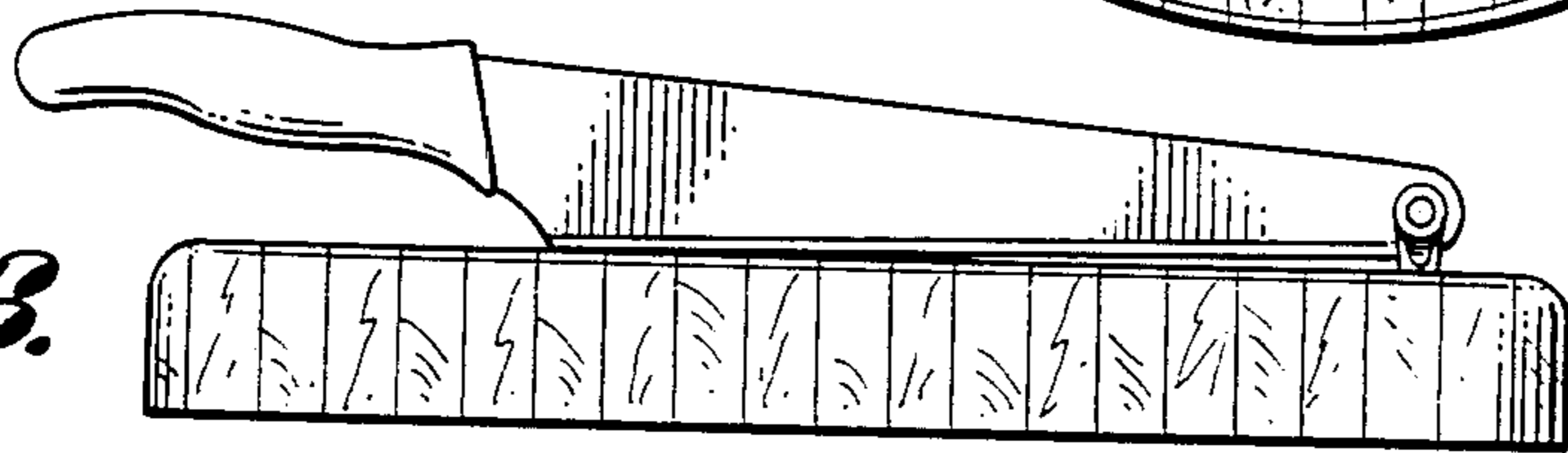


FIG. 4.

