

[54] CUP  
[75] Inventor: **Don Schreckengost**, East Liverpool, Ohio  
[73] Assignee: **The Salem China Company**, Salem, Ohio  
[\*\*] Term: **14 Years**  
[21] Appl. No.: **730,154**  
[22] Filed: **Oct. 7, 1976**  
[51] Int. Cl. .... **D7-01**  
[52] U.S. Cl. .... **D7/9**  
[58] Field of Search ..... **D7/6-15, D7/3; D9/220**

D. 72,248 3/1927 Walker ..... D7/9  
D. 81,984 9/1930 Kirpatrick ..... D7/14  
D. 167,917 10/1952 Wagner ..... D7/9

**OTHER PUBLICATIONS**

Monongah Glass Co., Cat. No. 6, April 1st, 1920, p. 74, bottom r. cup No.19 1111.

*Primary Examiner*—Winifred E. Herrmann  
*Attorney, Agent, or Firm*—Webster B. Harpman

[57] **CLAIM**

The ornamental design for a cup, as shown and described.

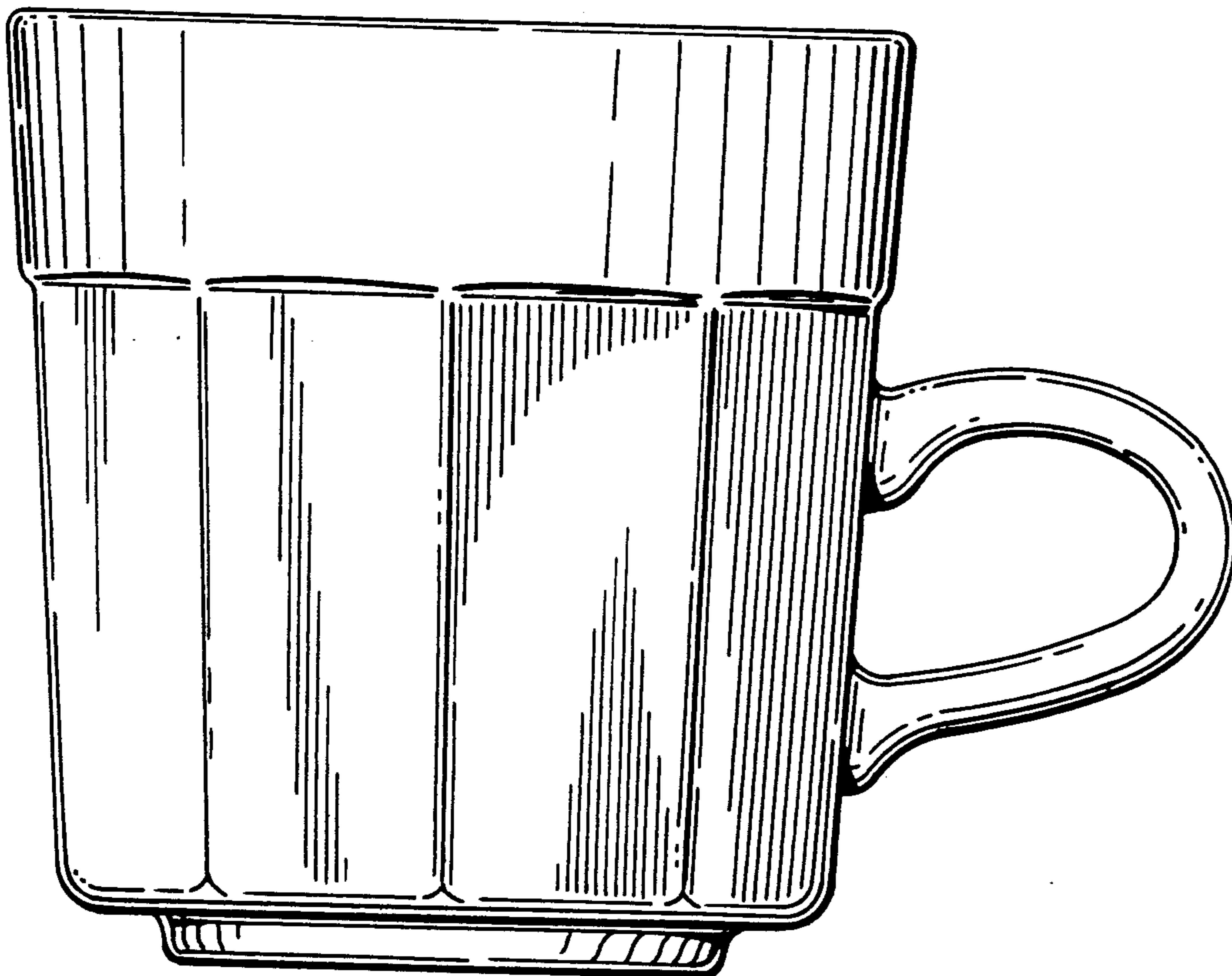
**DESCRIPTION**

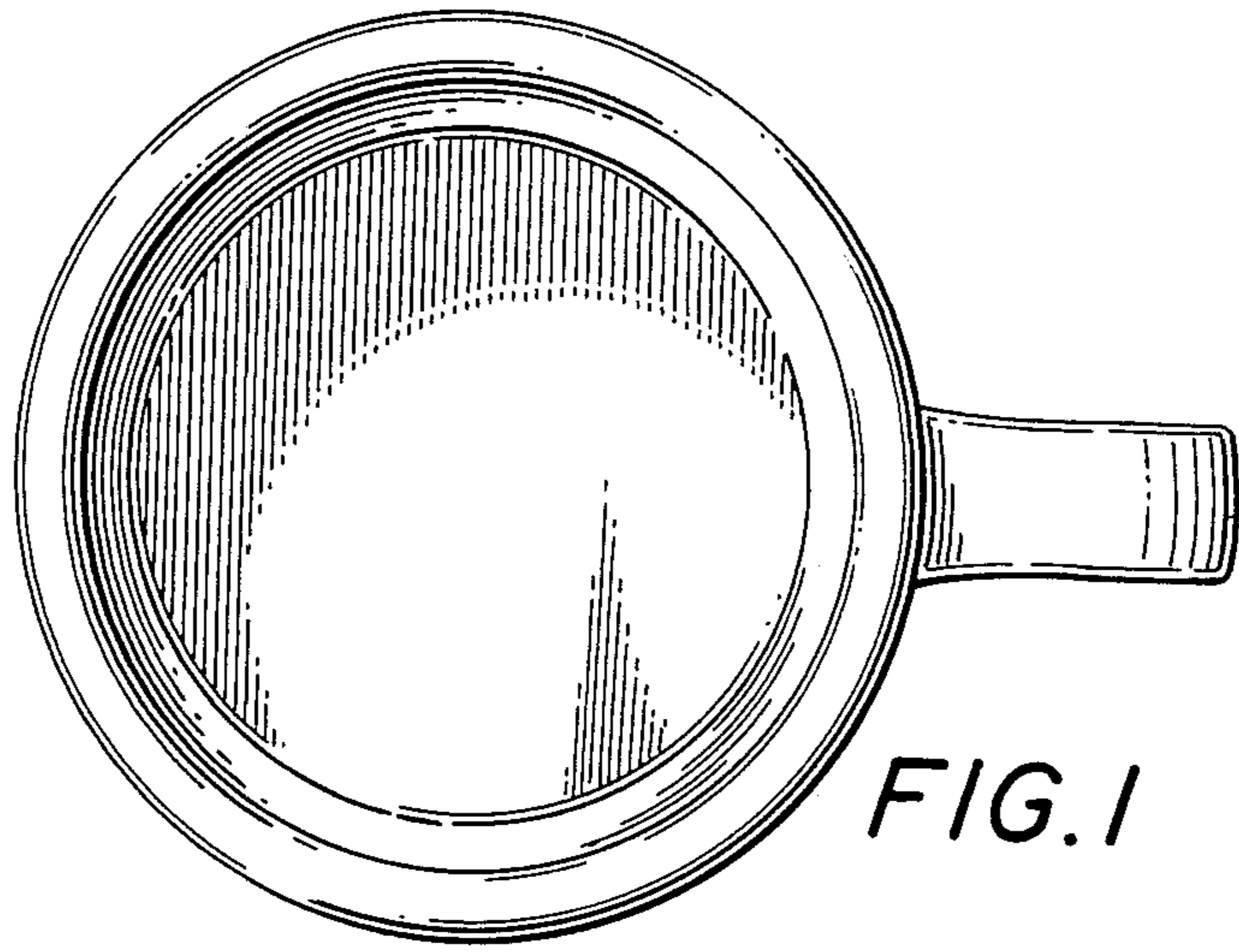
FIG. 1 is a top plan view of a cup showing my new design;  
FIG. 2 is a side elevational view thereof; and  
FIG. 3 is a bottom plan view thereof.  
The side of the cup not shown is a mirror image of the side illustrated.

[56] **References Cited**

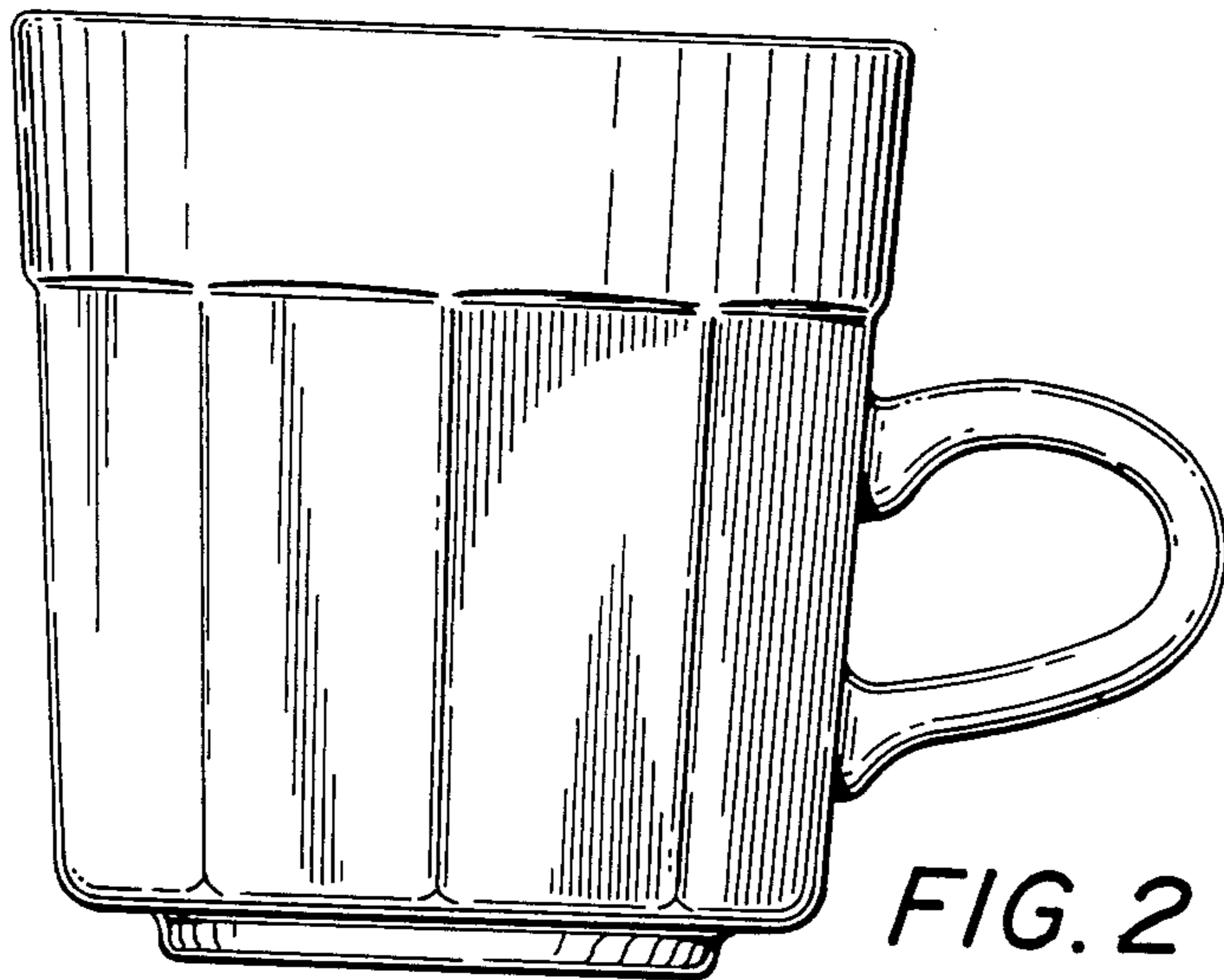
**U.S. PATENT DOCUMENTS**

D. 46,296 8/1914 Sanford ..... D7/14  
D. 46,646 11/1914 Whipple ..... D7/14

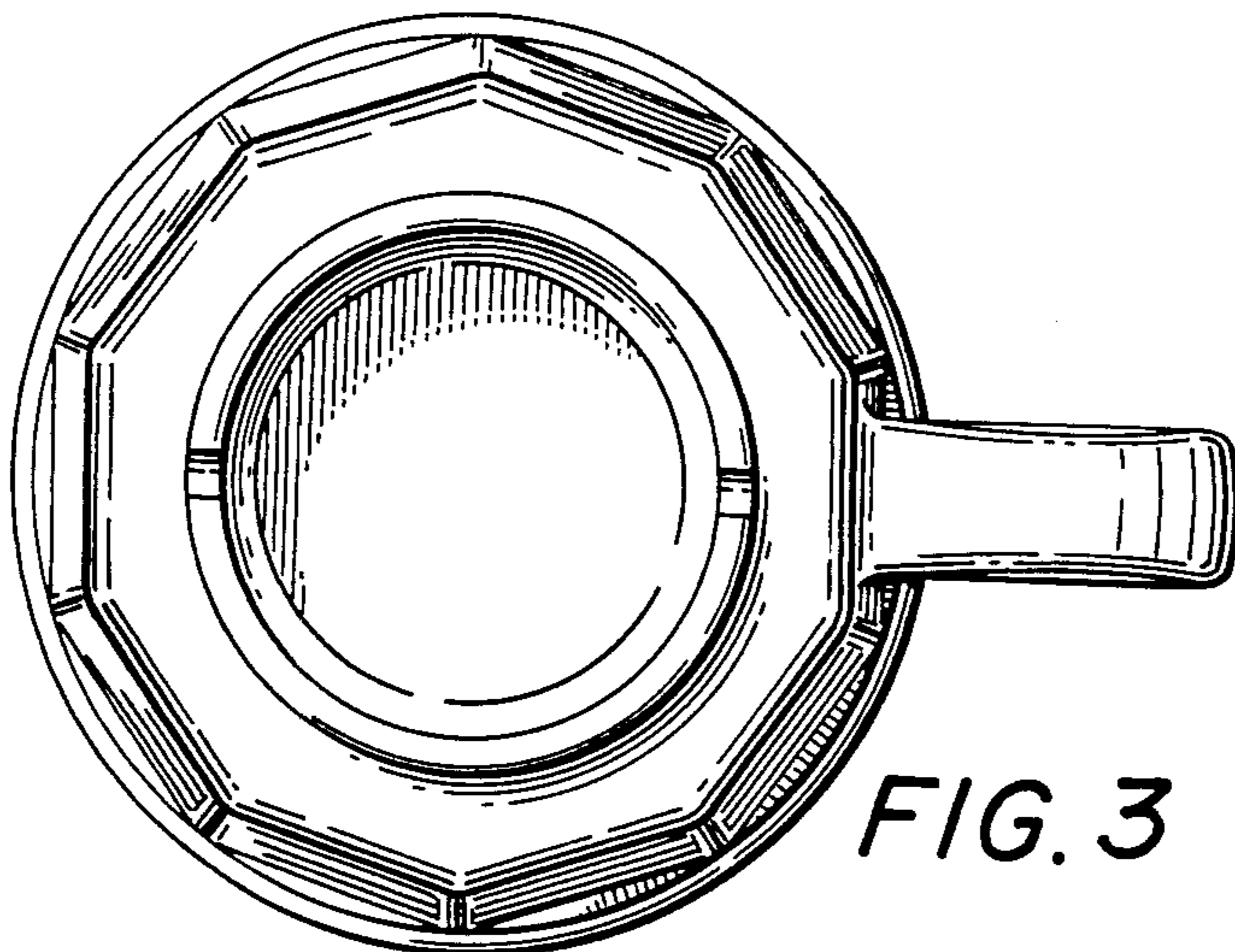




*FIG. 1*



*FIG. 2*



*FIG. 3*