

[54] PHOTOGRAPH DISPLAY STAND

[75] Inventor: George F. Lyman, Weston, Mass.

[73] Assignee: Data Packaging Corporation, Cambridge, Mass.

[\*\*] Term: 14 Years

[21] Appl. No.: 792,023

[22] Filed: Apr. 28, 1977

Related U.S. Application Data

[62] Division of Ser. No. 712,023, Aug. 5, 1976, Pat. No. D. 245,305.

[51] Int. Cl. .... D6-07

[52] U.S. Cl. .... D6/234

[58] Field of Search ..... D6/232-246; D29/22, 23 A, 23 R; 40/21 R, 21 A, 21 C, 65, 152, 152.1, 154, 155, 158 A, 157, 219, 300

[56]

References Cited

U.S. PATENT DOCUMENTS

D. 104,067	4/1937	Lewis .....	D6/234
D. 142,165	8/1945	Feist .....	D6/237
D. 142,502	10/1945	Sherr .....	D6/234
D. 142,985	11/1945	Brown .....	D6/234

OTHER PUBLICATIONS

House & Garden, 11-1968, p. 4, Photo Display at lower right corner of page.

Primary Examiner—Joel Stearman

Assistant Examiner—C. A. Rademaker

Attorney, Agent, or Firm—Arthur Z. Bookstein

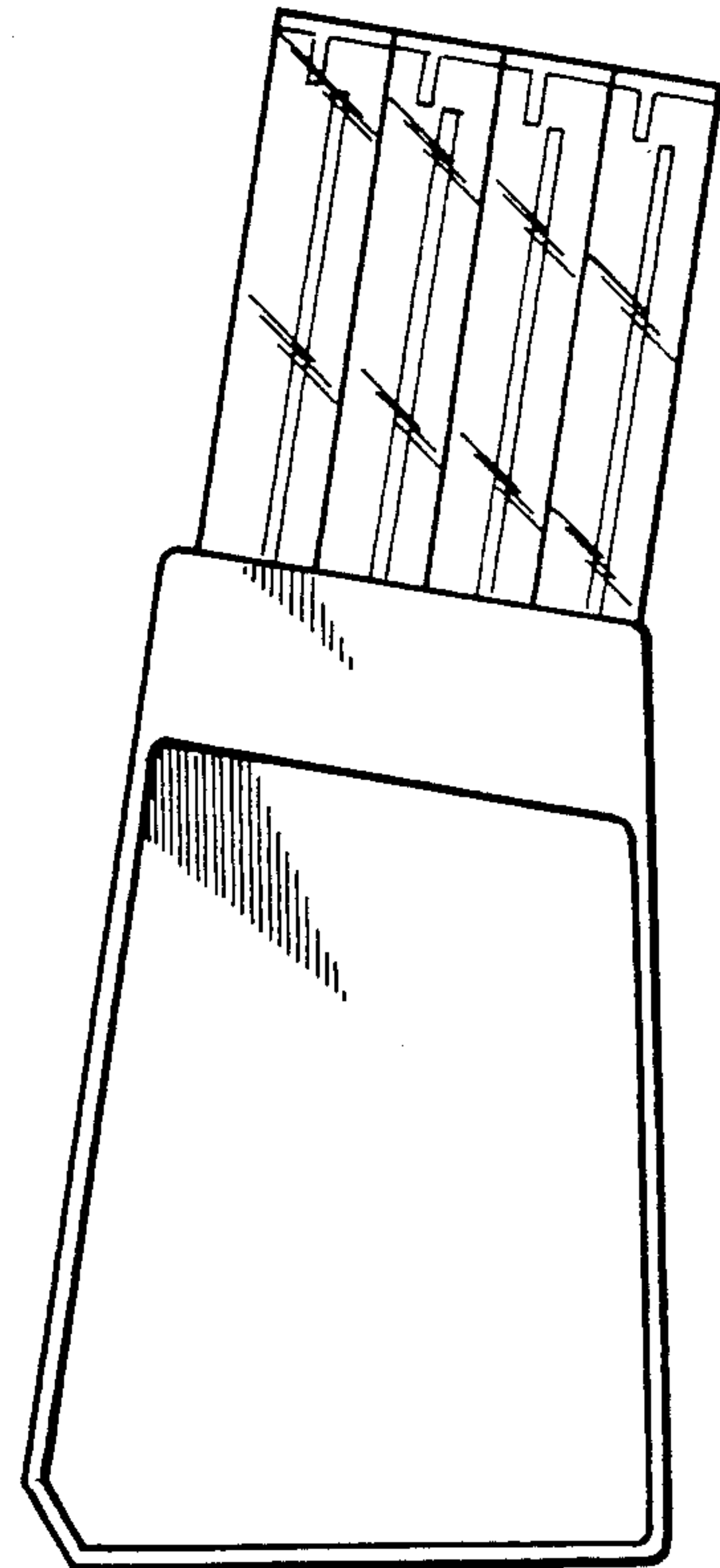
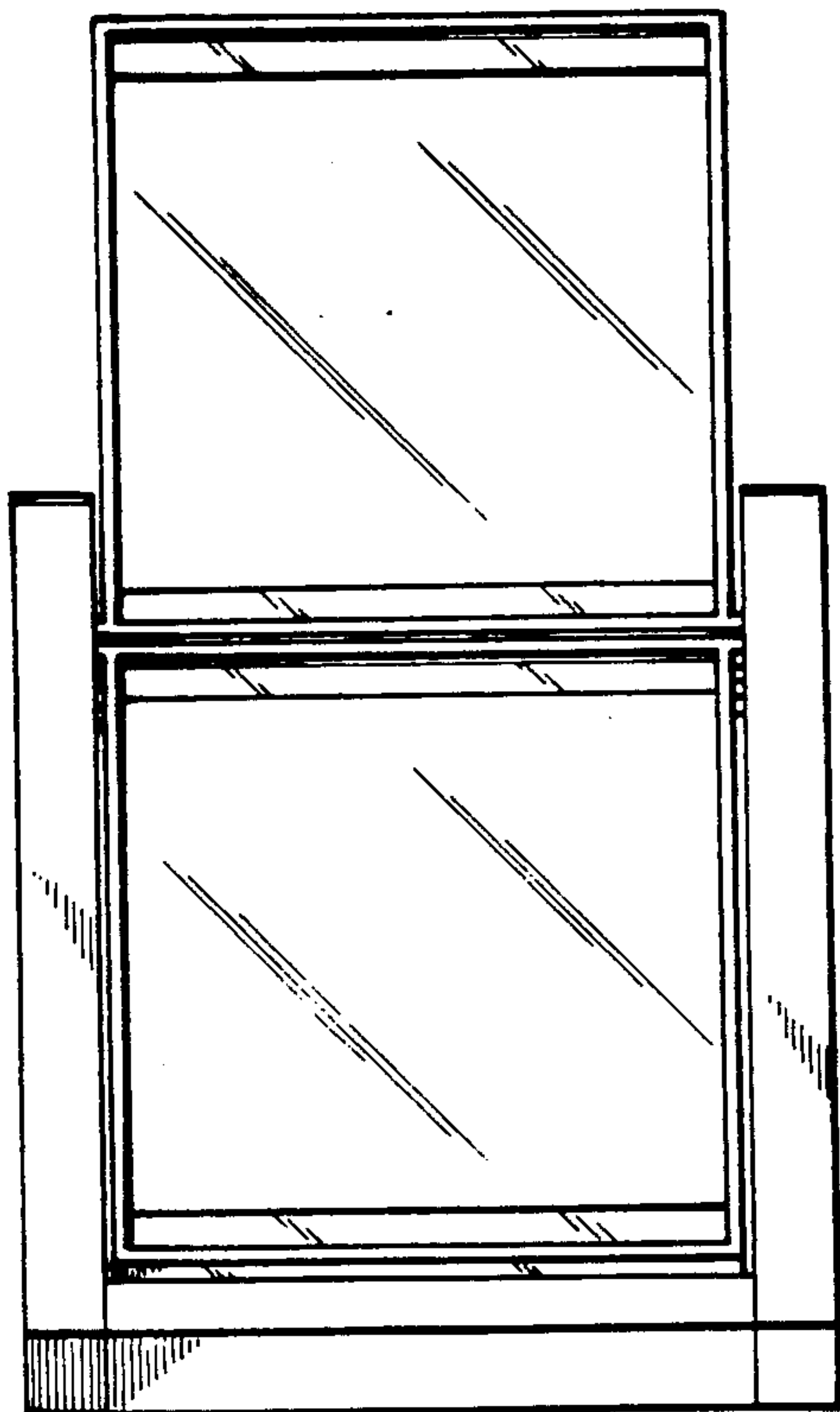
[57]

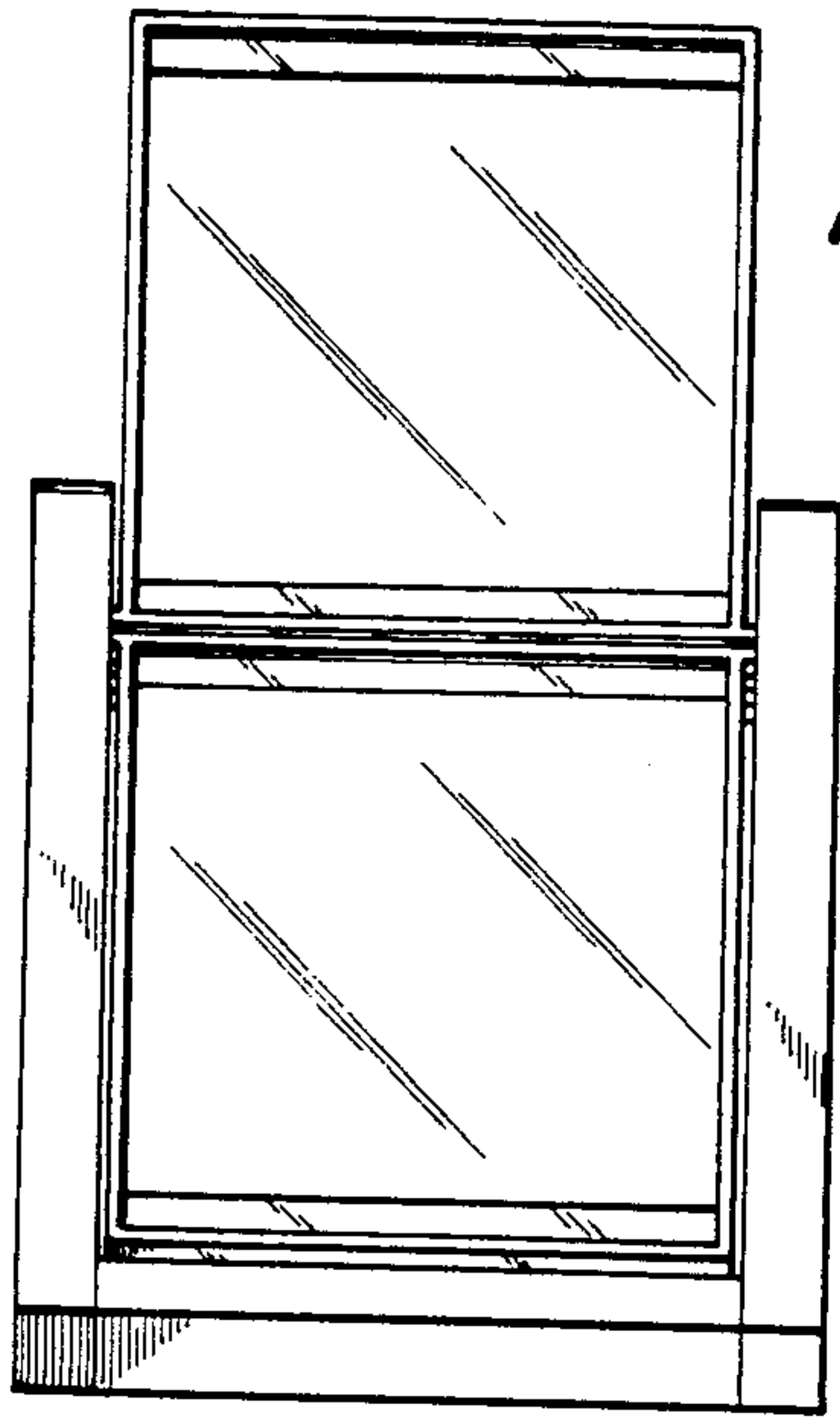
CLAIM

The ornamental design for a photograph display stand, as shown and described.

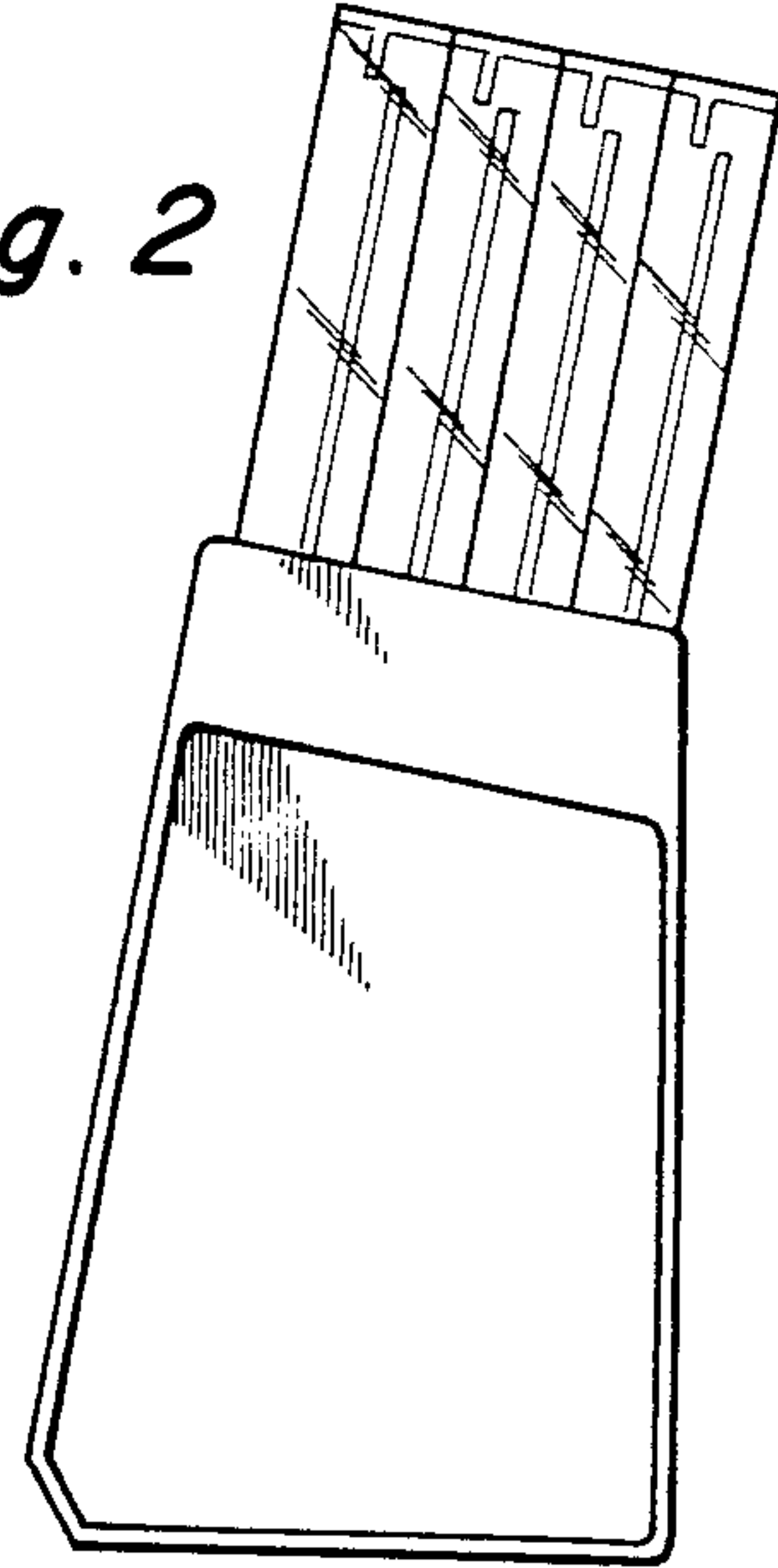
DESCRIPTION

FIG. 1 is a front elevational view of a photograph display stand showing my new design; FIG. 2 is a right side elevational view thereof, the side opposite being substantially a mirror image; FIG. 3 is a rear elevational view thereof; FIG. 4 is a top plan view thereof; and FIG. 5 is a bottom plan view thereof.

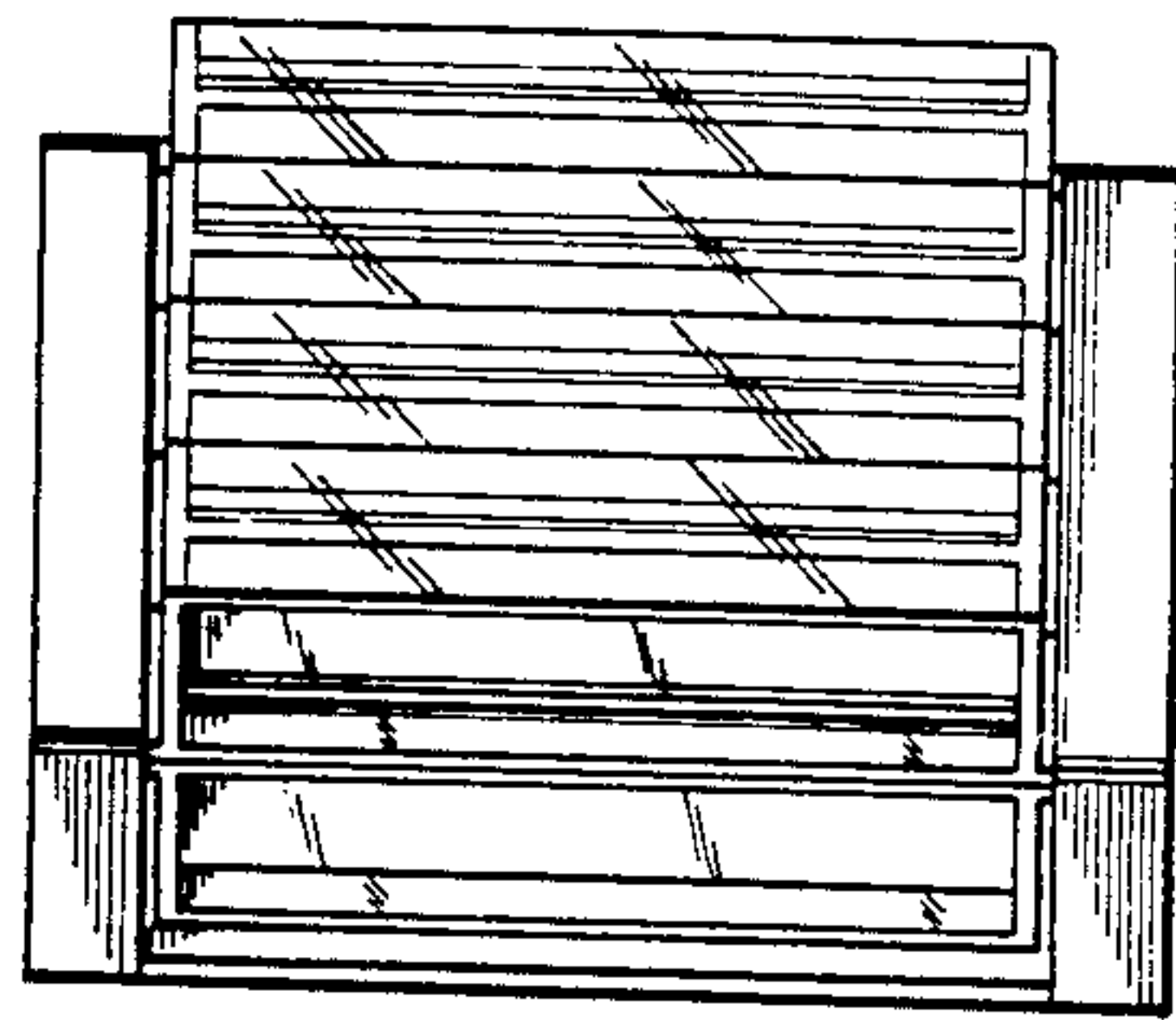
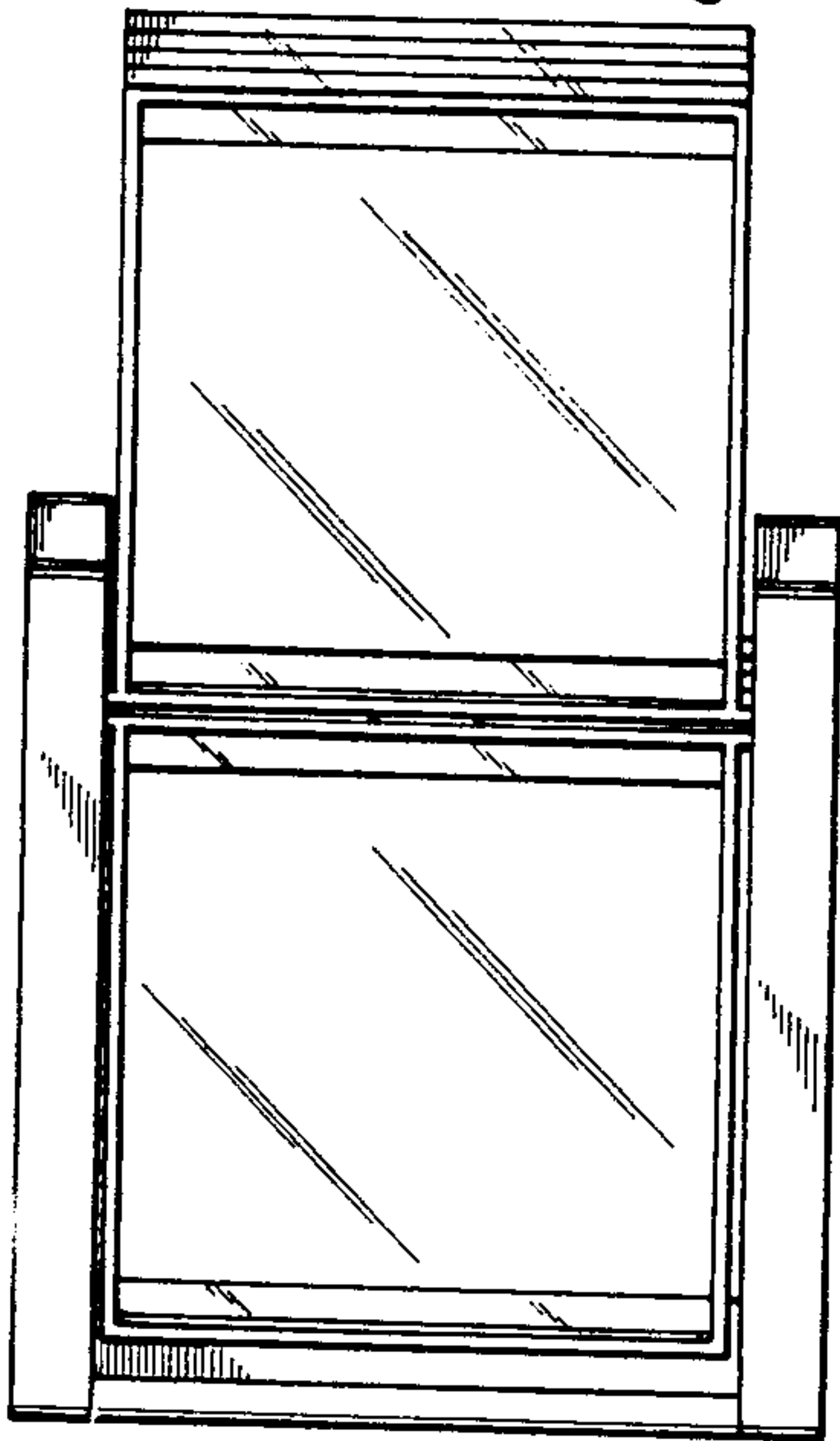




*Fig. 1*   *Fig. 2*



*Fig. 3*   *Fig. 4*



*Fig. 5*

