

[54] SOFA

[75] Inventors: Lee A. Corson, Great Neck, N.Y.;  
Robert S. Corson, Pottstown, Pa.

[73] Assignee: Crestline Furniture Company

[\*\*] Term: 14 Years

[21] Appl. No.: 723,220

[22] Filed: Sep. 14, 1976

[51] Int. Cl. .... D6-01

[52] U.S. Cl. .... D6/63

[58] Field of Search ..... D6/37, 38, 39, 47, 60,  
D6/61, 62, 63, 67, 70, 71; 297/232, 233, 248

[56] References Cited

U.S. PATENT DOCUMENTS

D. 22,922	11/1893	Conser .....	D6/60
D. 211,336	6/1968	Kettman .....	D6/60
D. 229,591	12/1973	Trail et al. ....	D6/60

D. 244,070 4/1977 Marks ..... D6/63

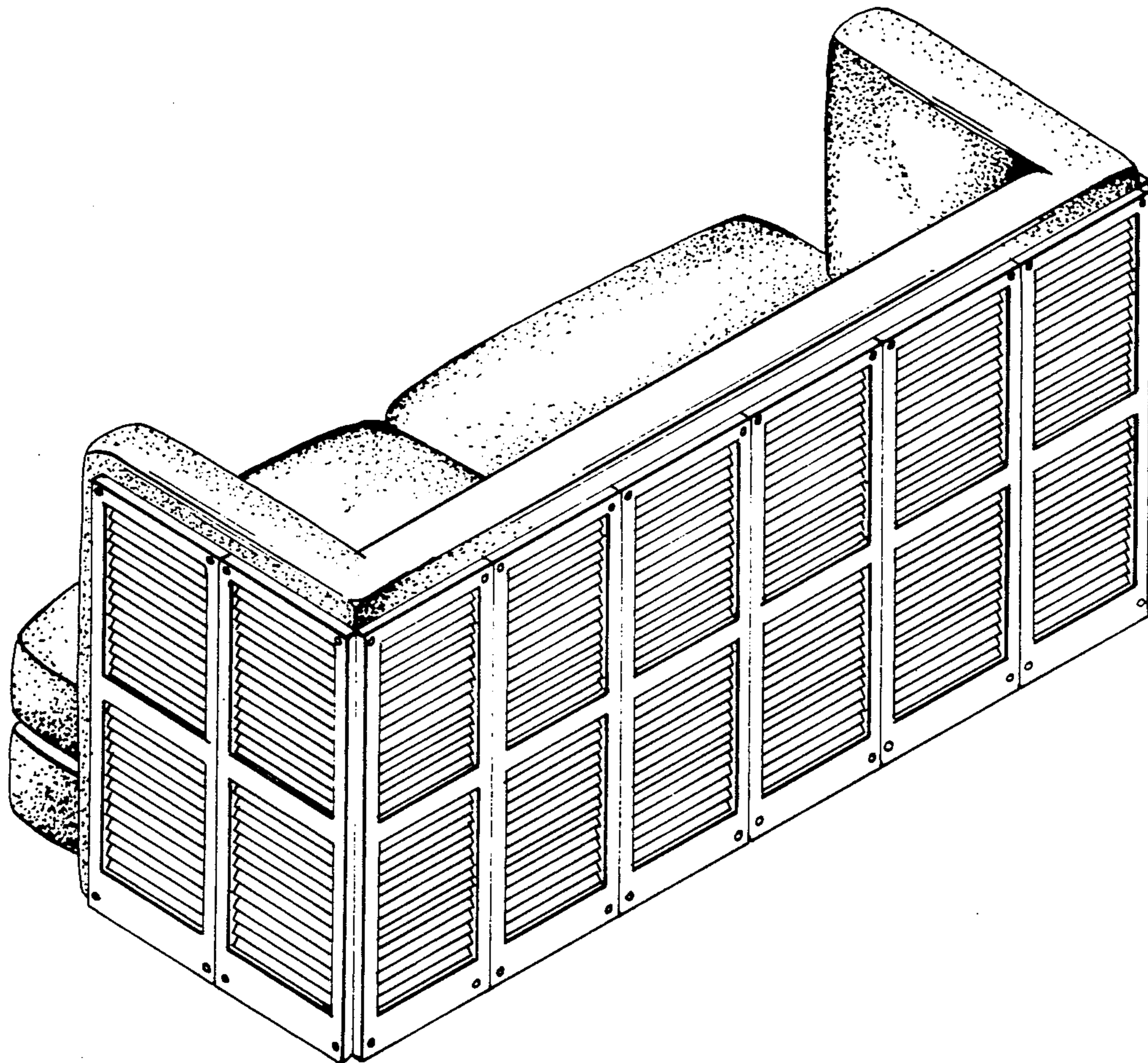
Primary Examiner—Bruce W. Dunkins  
Attorney, Agent, or Firm—Floyd A. Gibson

[57] CLAIM

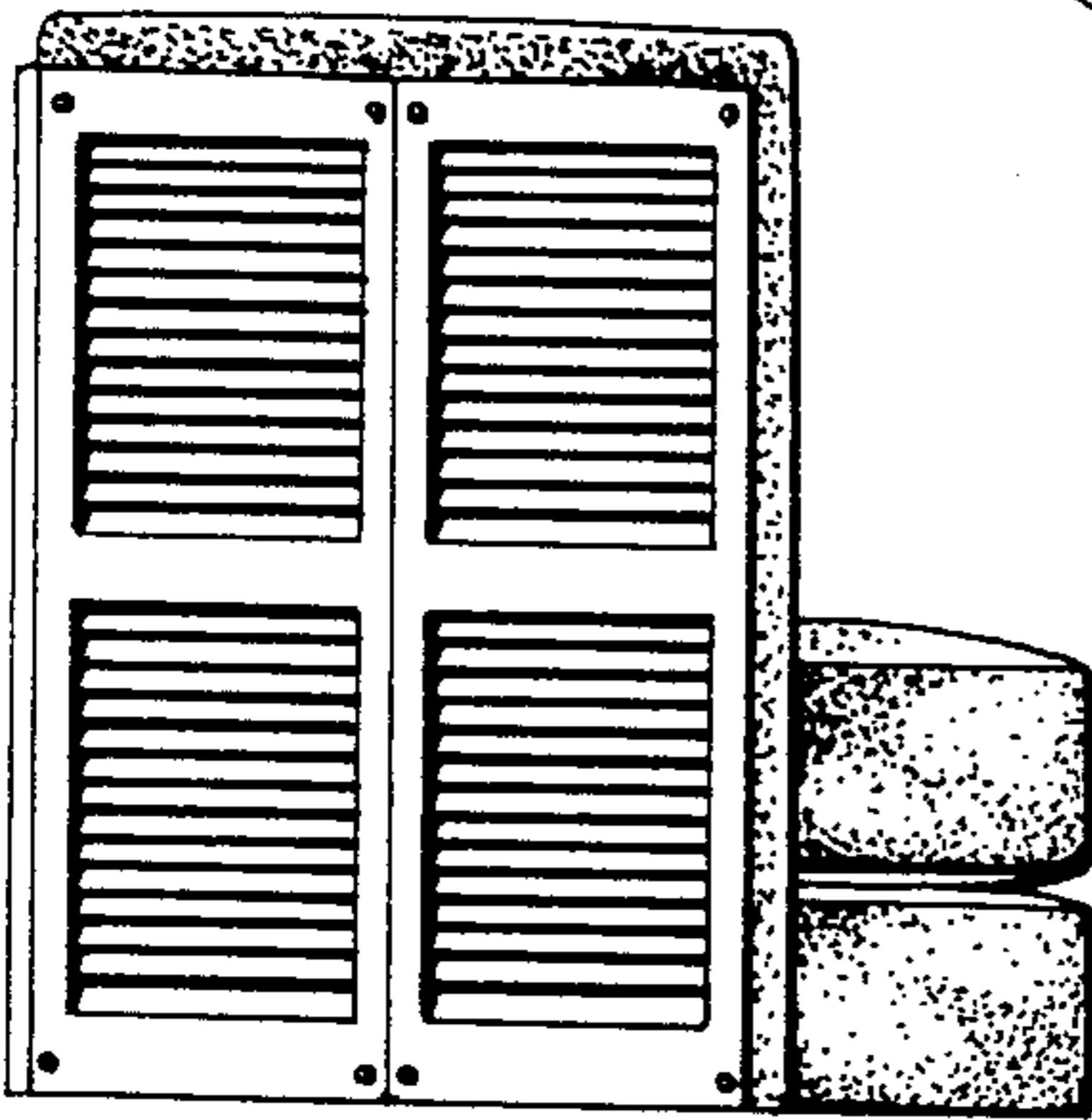
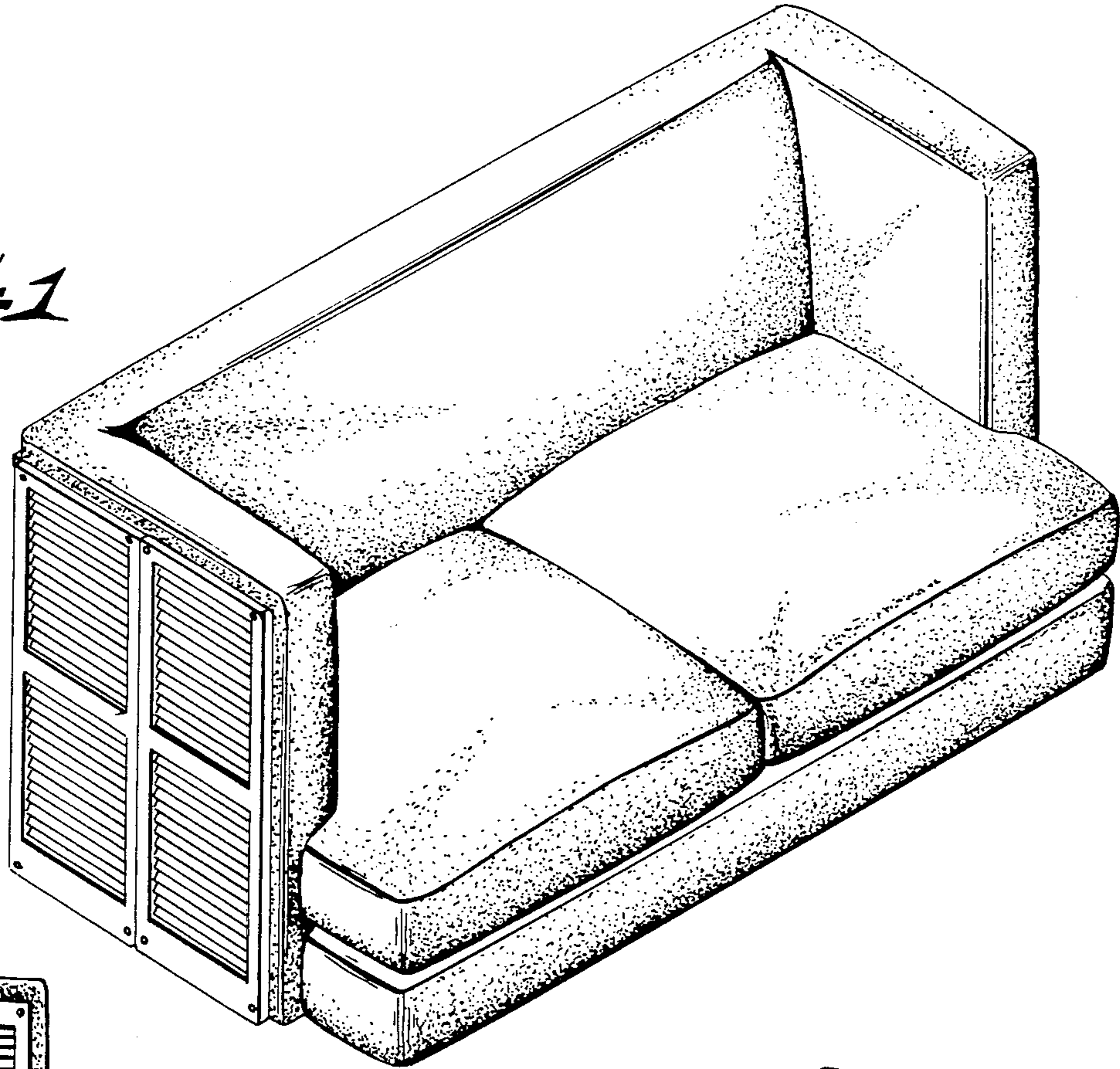
The ornamental design for a sofa, substantially as shown.

DESCRIPTION

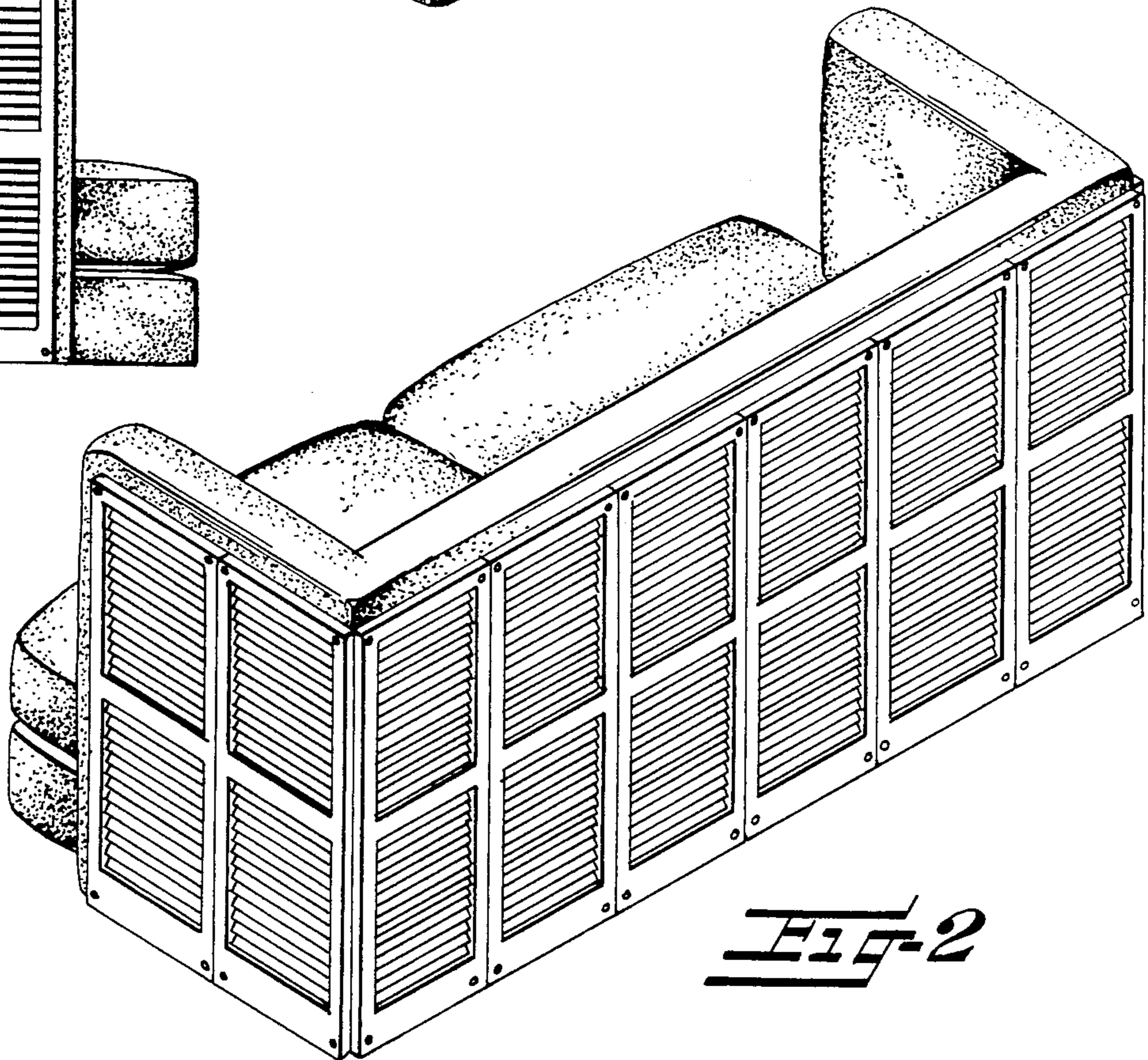
FIG. 1 is a perspective view of a first embodiment of a sofa illustrating the present invention;  
 FIG. 2 is a perspective view of the sofa shown in FIG. 1 viewed from the back thereof;  
 FIG. 3 is an end elevational view of the sofa illustrated in FIG. 1;  
 FIG. 4 is a view similar FIG. 1 of another embodiment of a sofa incorporating the present invention;  
 FIG. 5 is a perspective view of the sofa shown in FIG. 4 viewed from the back; and  
 FIG. 6 is an end elevational view of the sofa shown in FIGS. 4 and 5.



**FIG-1**



**FIG-3**



**FIG-2**

FIG-4

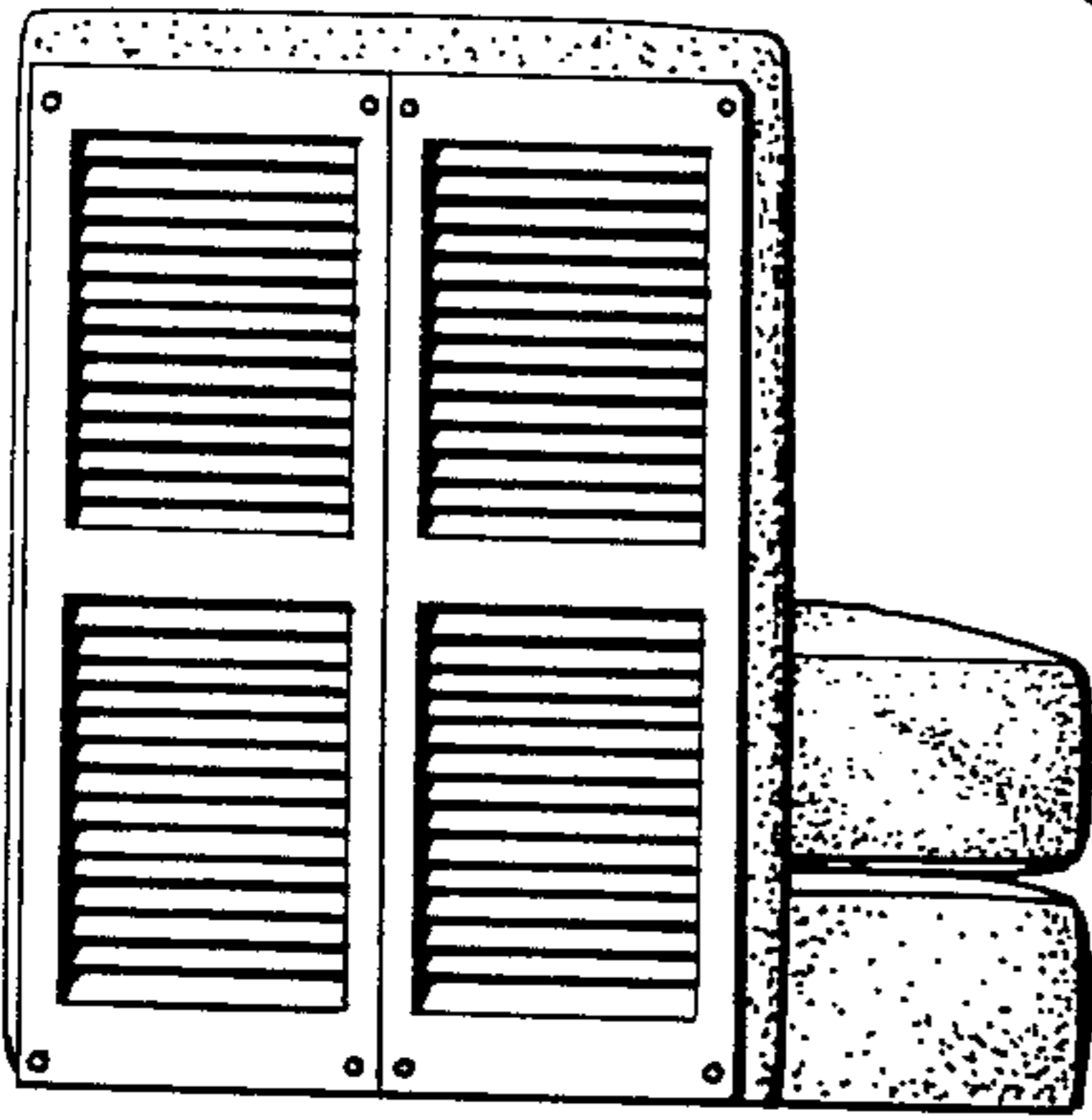
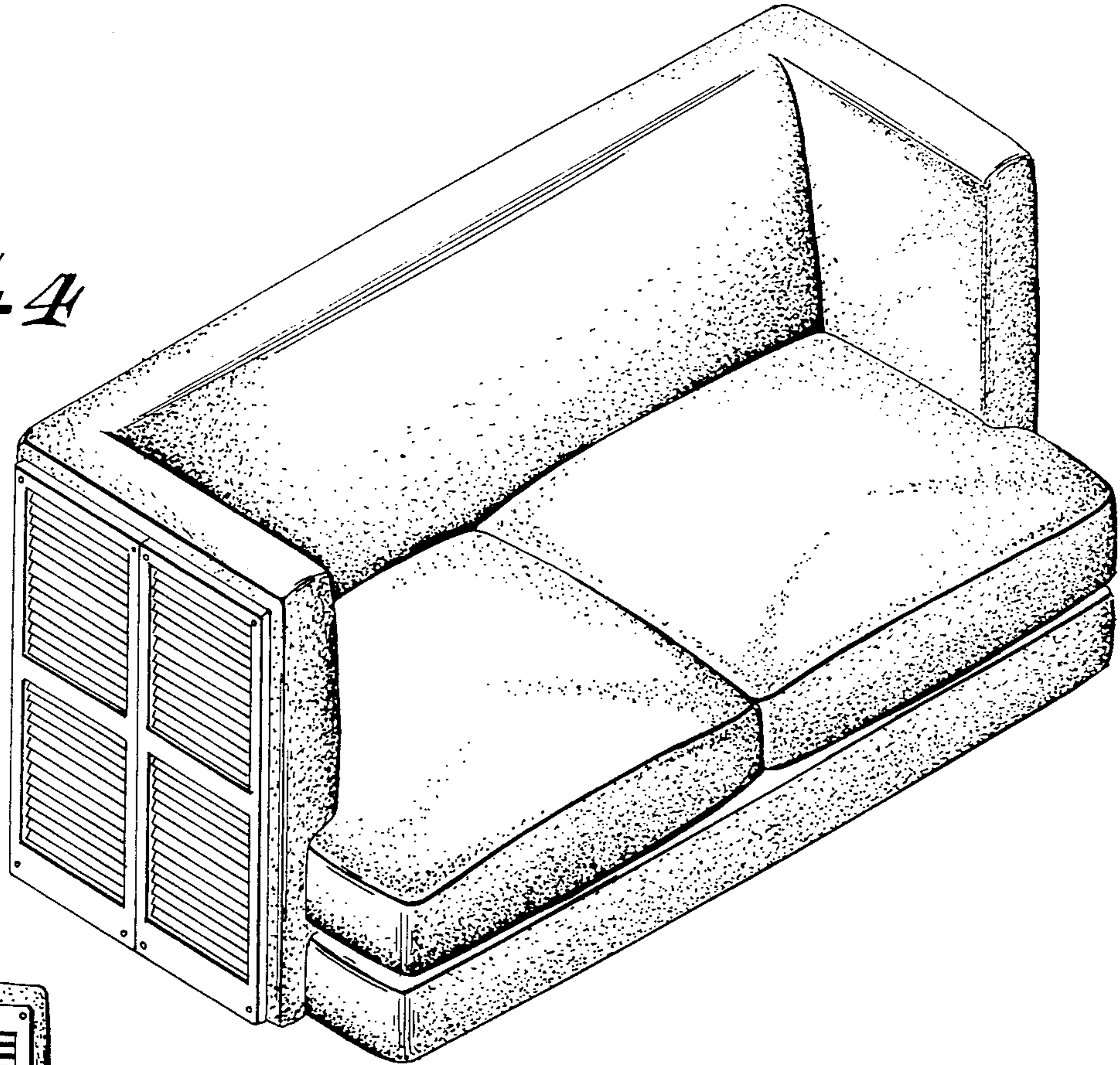


FIG-6

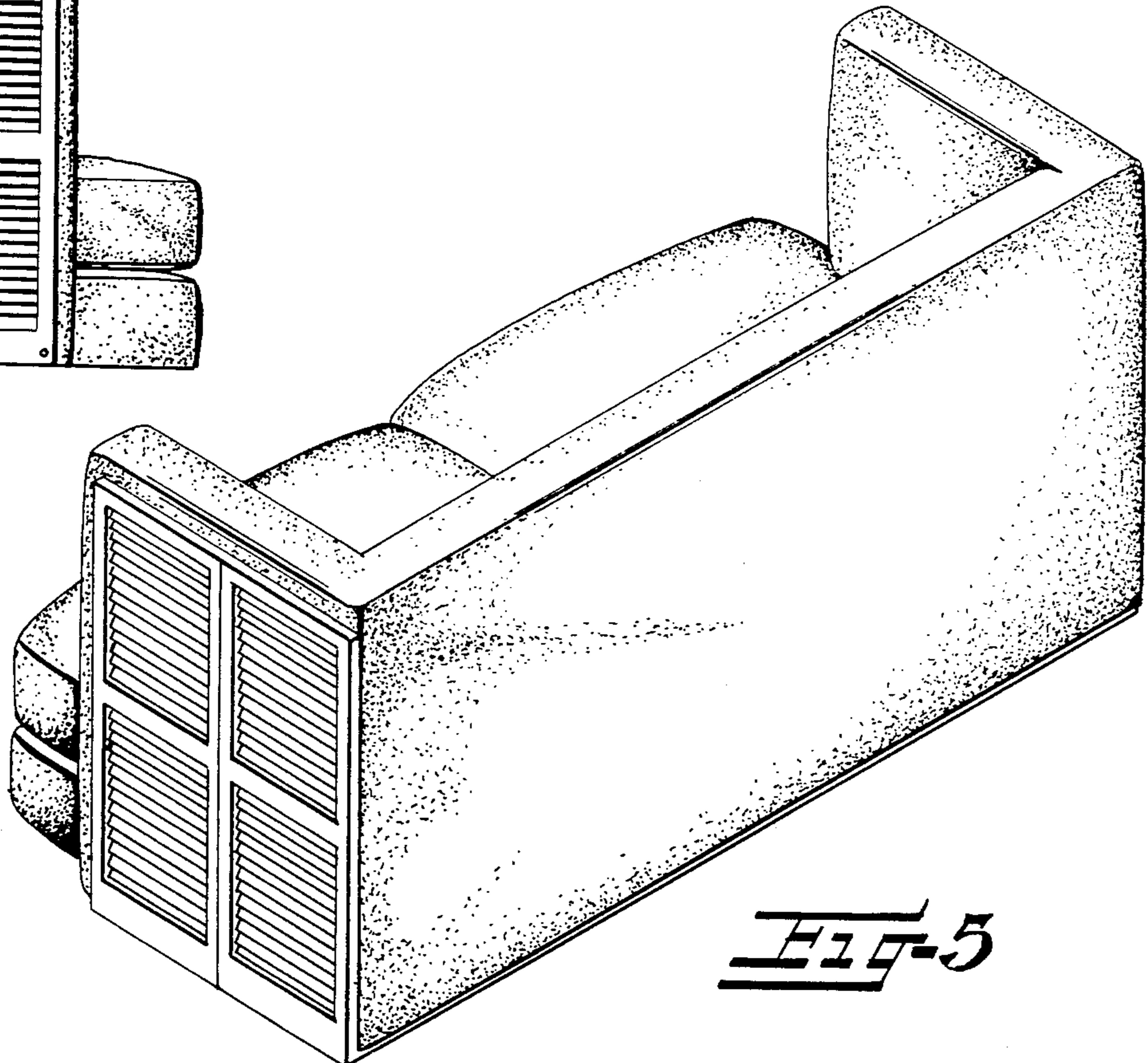


FIG-5