

[54] INJECTION PISTOL

[76] Inventor: **Yngve Ivan Ekberg**, Furuvagen 34,
S-434 00 Kungsbacka, Sweden

[**] Term: **14 Years**

[21] Appl. No.: **745,671**

[22] Filed: **Nov. 29, 1976**

[30] **Foreign Application Priority Data**

Jun. 1, 1976 Sweden 761187

[51] Int. Cl. **D24-04**

[52] U.S. Cl. **D24/25**

[58] Field of Search 128/218 R, 215, 218 C,
128/218 D; D24/60, 24, 25; 141/27, 126, 375

[56]

References Cited

U.S. PATENT DOCUMENTS

D. 192,901	5/1962	Transue	D24/25
3,732,872	5/1973	Lakritz	128/215
3,833,030	9/1974	Waldbauer et al.	128/218 C
3,965,945	6/1976	Ross	128/218 C
4,022,207	5/1977	Citrin	128/218 C

Primary Examiner—Bernard Ansher
Attorney, Agent, or Firm—Ernest A. Greenside

[57]

CLAIM

The ornamental design for an injection pistol, substantially as shown.

DESCRIPTION

FIG. 1 is a perspective view of an injection pistol showing my new design;
FIG. 2 is a perspective as seen from the side opposite of FIG. 1;
FIG. 3 is a top plan view thereof; and
FIG. 4 is a bottom plan view thereof.

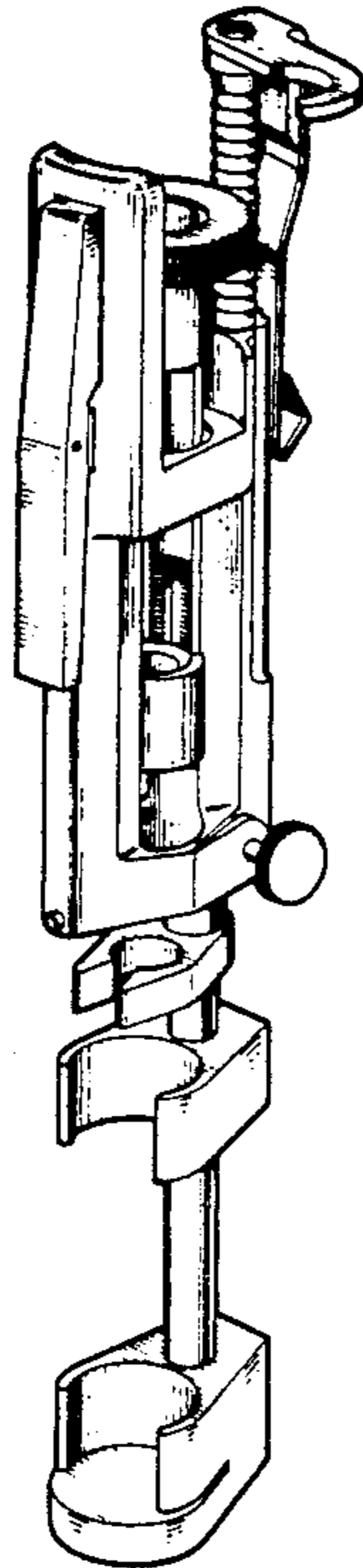


FIG. 1

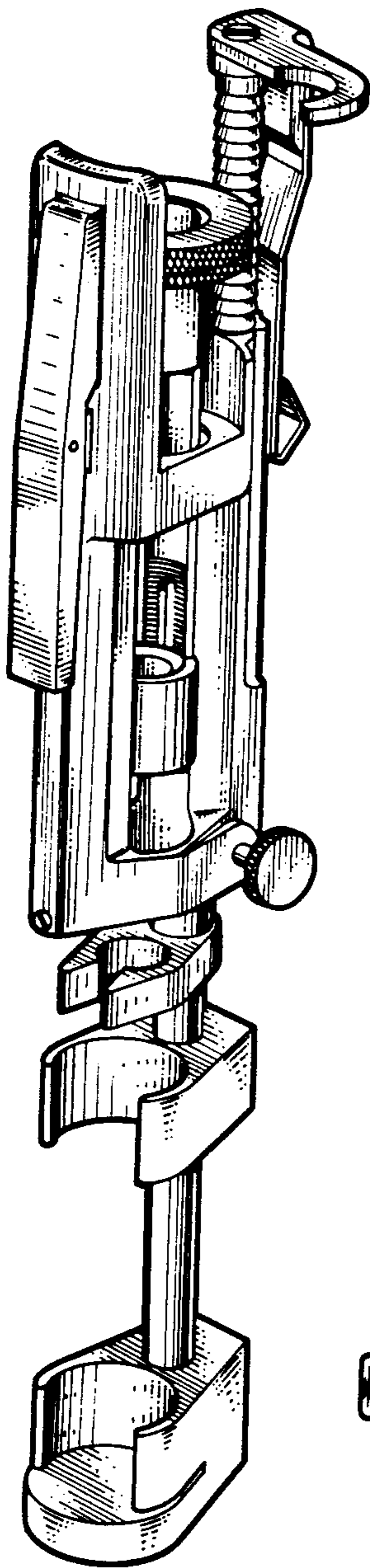


FIG. 2

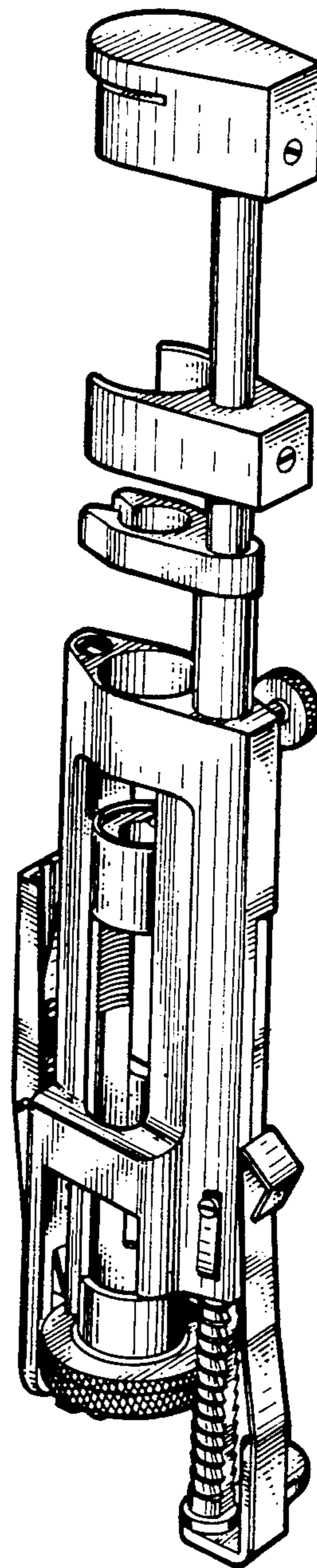


FIG. 4

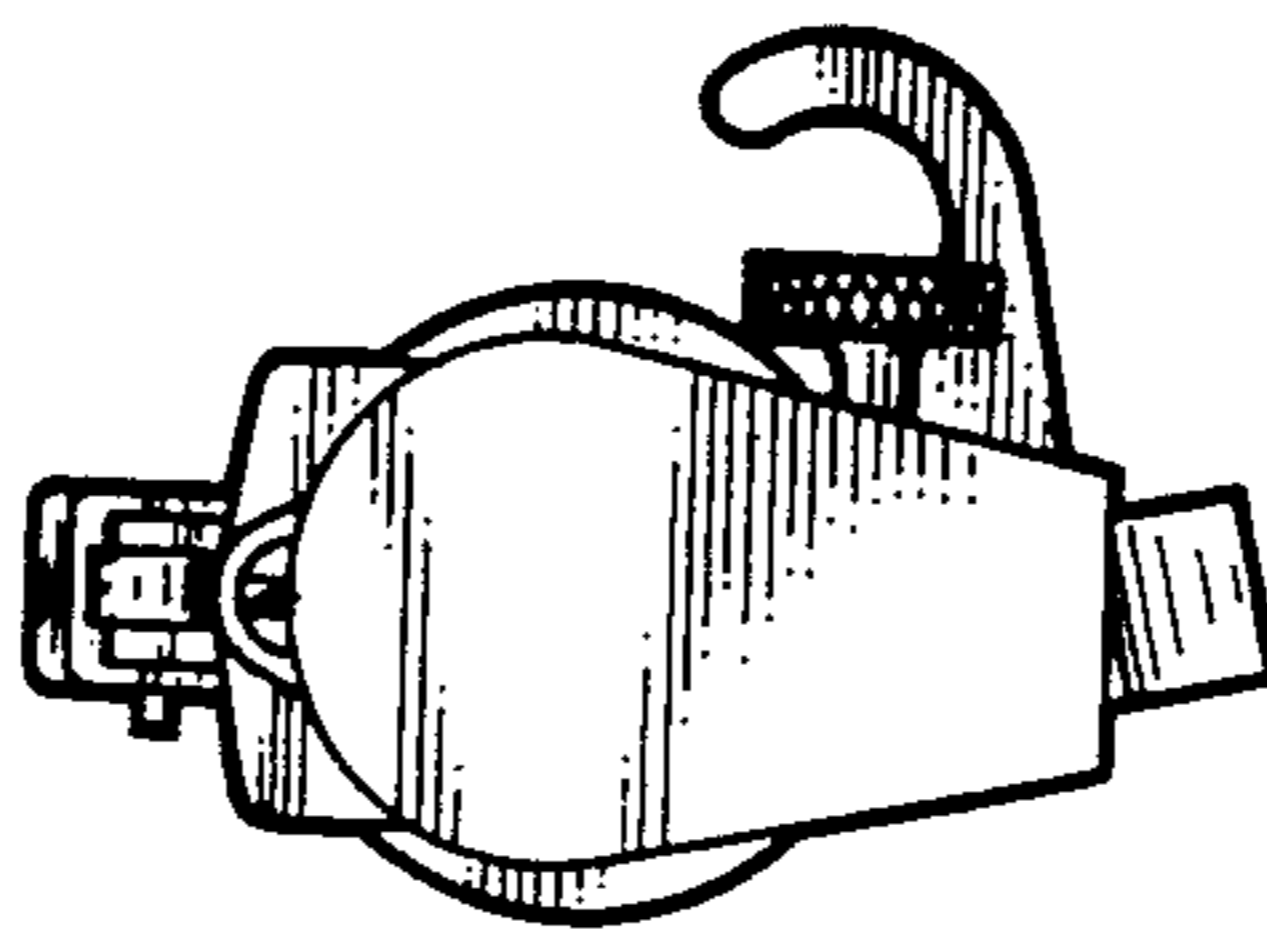


FIG. 3

