

[54] MOTION PICTURE CAMERA

[75] Inventors: Paul D. Miller; William Lansing Plumb, both of New York, N.Y.

[73] Assignee: GAF Corporation, New York, N.Y.

[**] Term: 14 Years

[21] Appl. No.: 663,156

[22] Filed: Mar. 2, 1976

[51] Int. Cl. D16-01

[52] U.S. Cl. D16/04

[58] Field of Search D16/1, 4, 10; 352/95, 352/242, 72

[56] References Cited

U.S. PATENT DOCUMENTS

D. 228,680 10/1973 Conner et al. D16/4

OTHER PUBLICATIONS

Form, Jan., 1976, p. 43, camera in middle of right column.

Primary Examiner—Wallace R. Burke
Assistant Examiner—Catherine E. Kemper
Attorney, Agent, or Firm—Walter C. Kehm

[57] CLAIM

The ornamental design for a motion picture camera, substantially as shown.

DESCRIPTION

FIG. 1 is a front perspective view of a motion picture camera showing my new design;
FIG. 2 is a front elevational view thereof;
FIG. 3 is a rear elevational view thereof;
FIG. 4 is a right side elevational view thereof;
FIG. 5 is a left side elevational view thereof;
FIG. 6 is a top plan view thereof; and
FIG. 7 is a bottom plan view thereof.

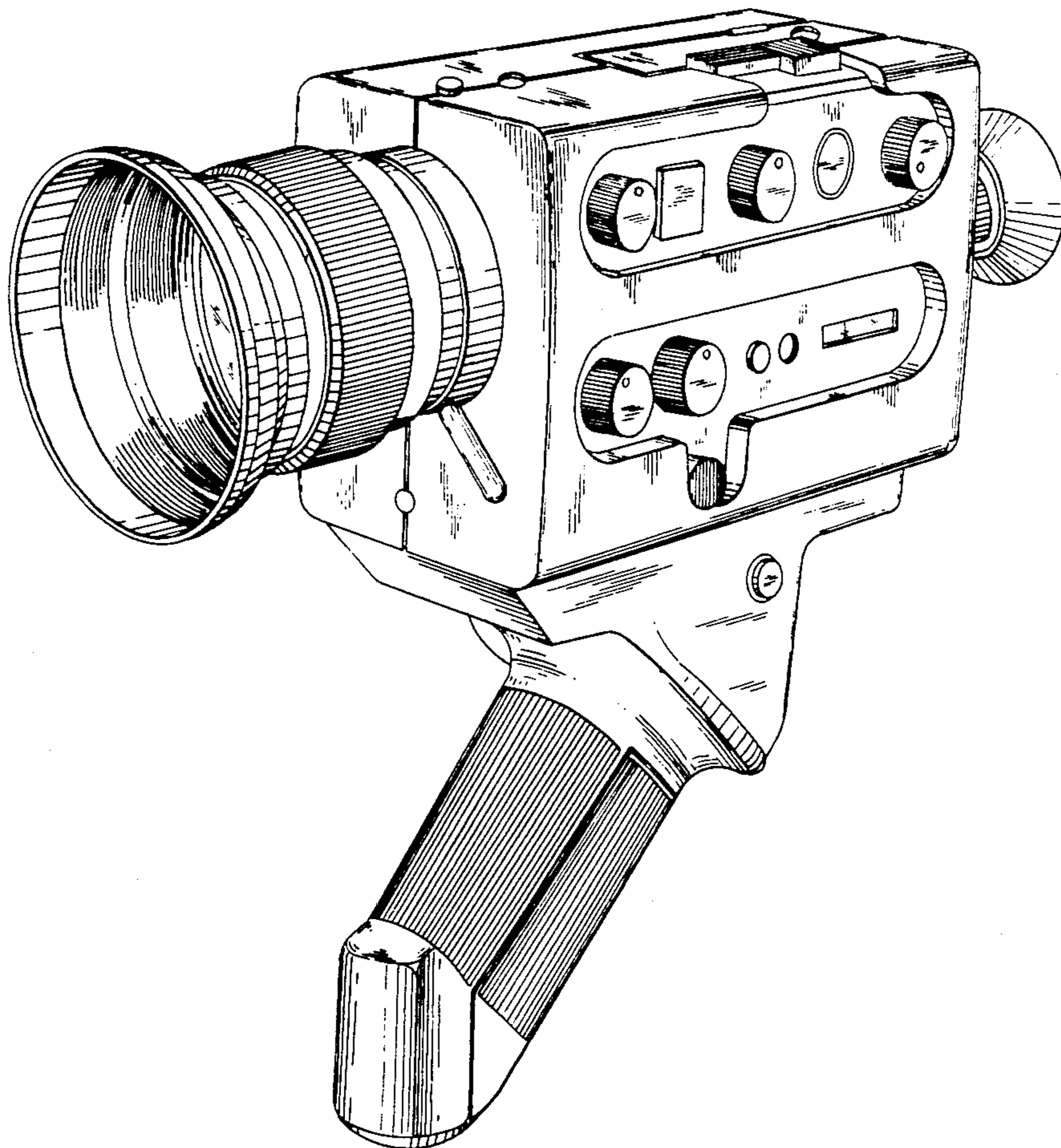
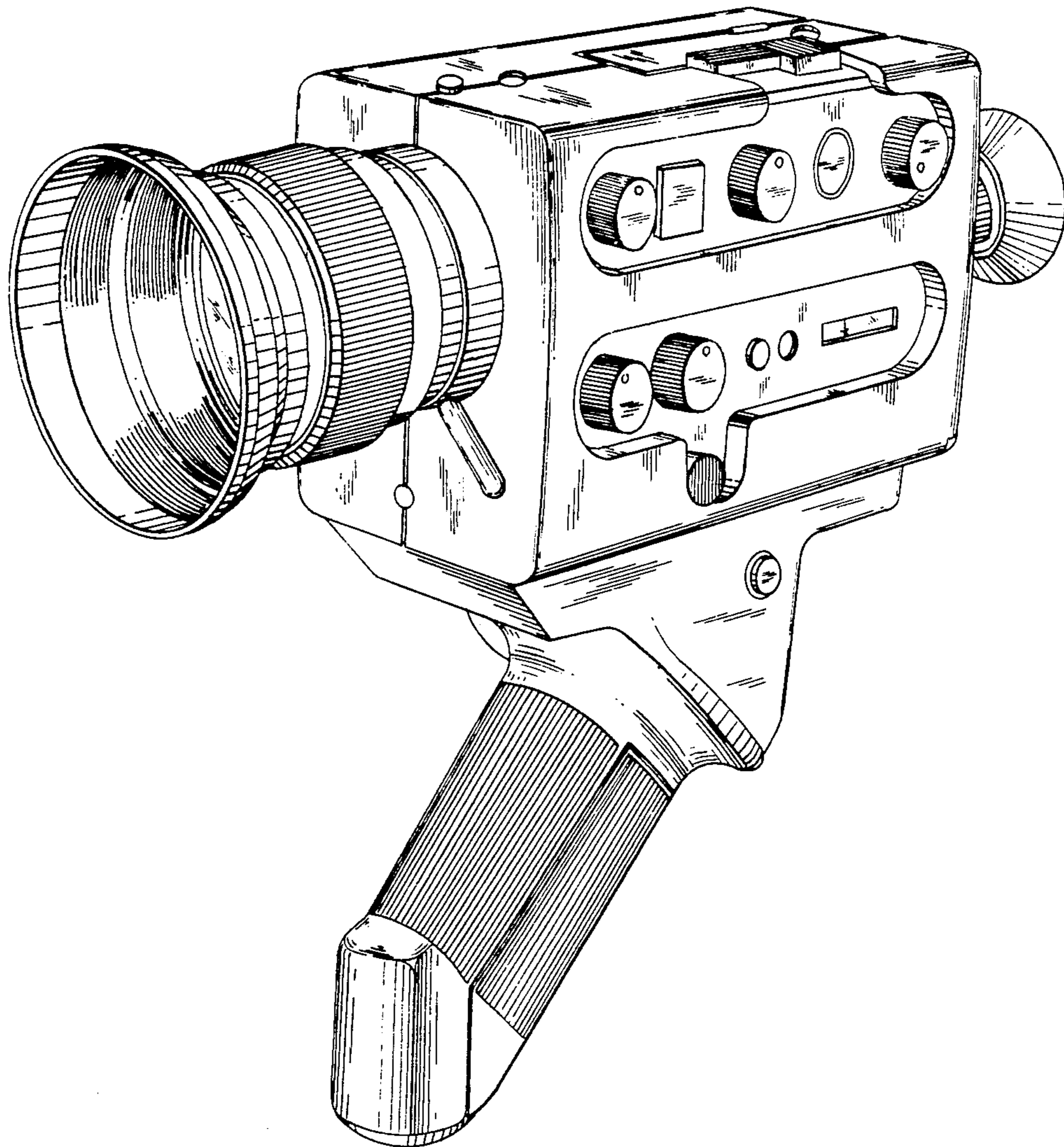


FIG. 1



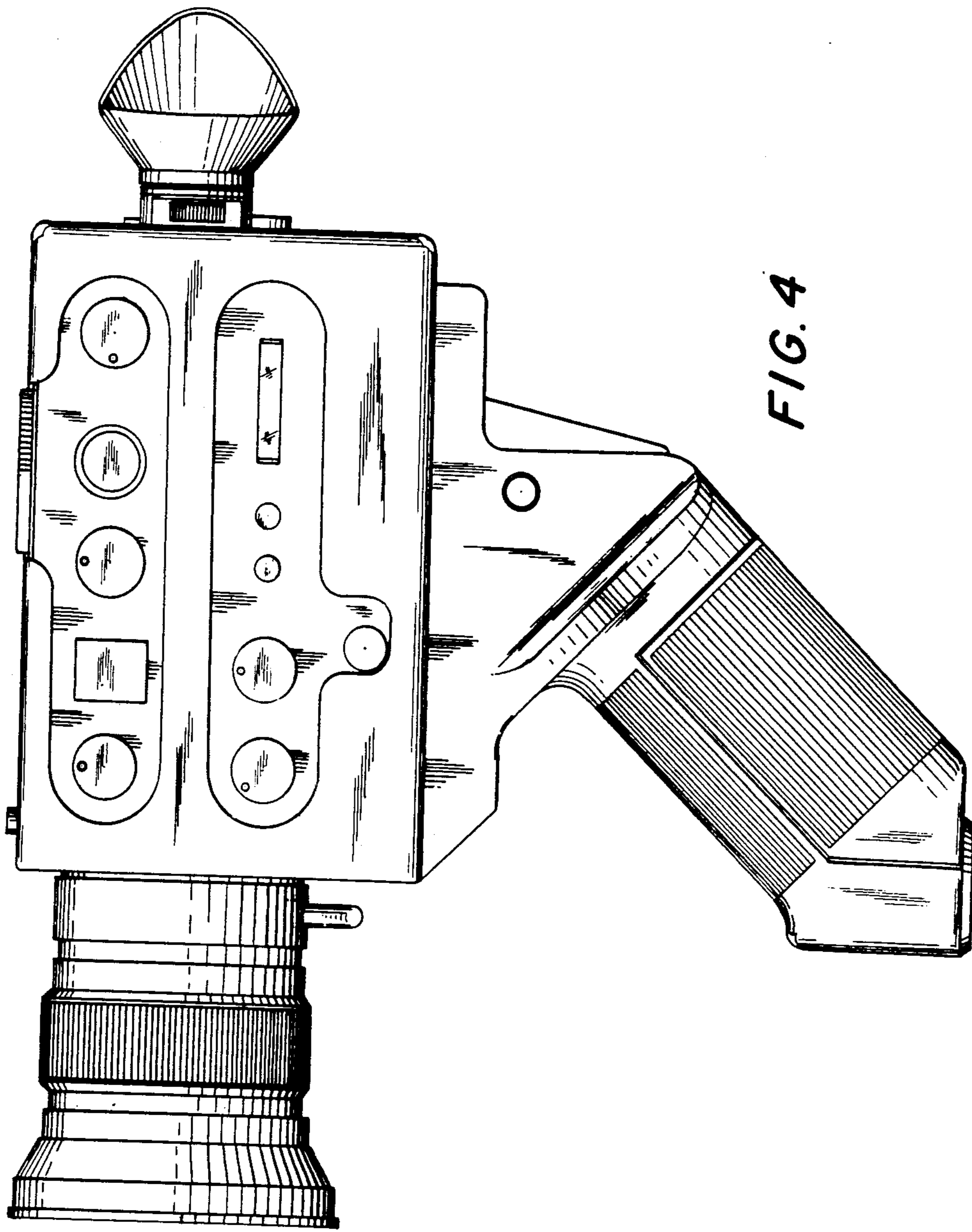


FIG. 4

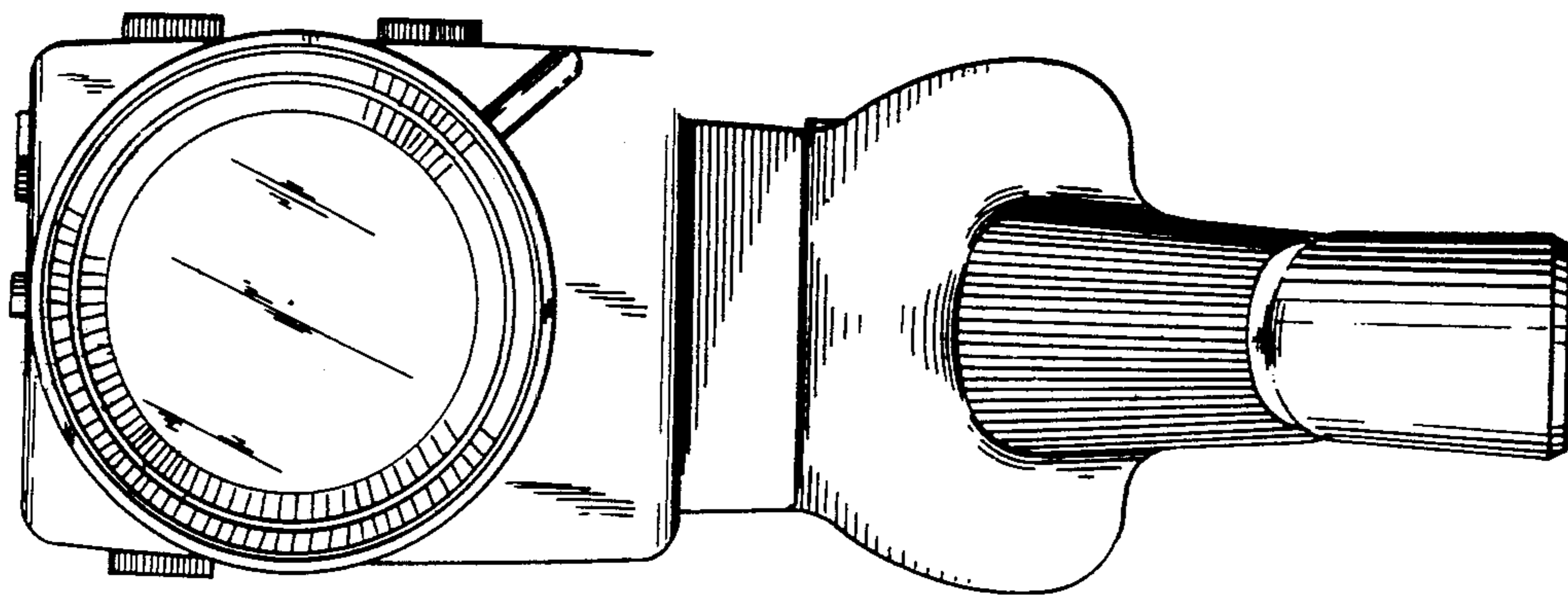


FIG. 2

FIG. 3

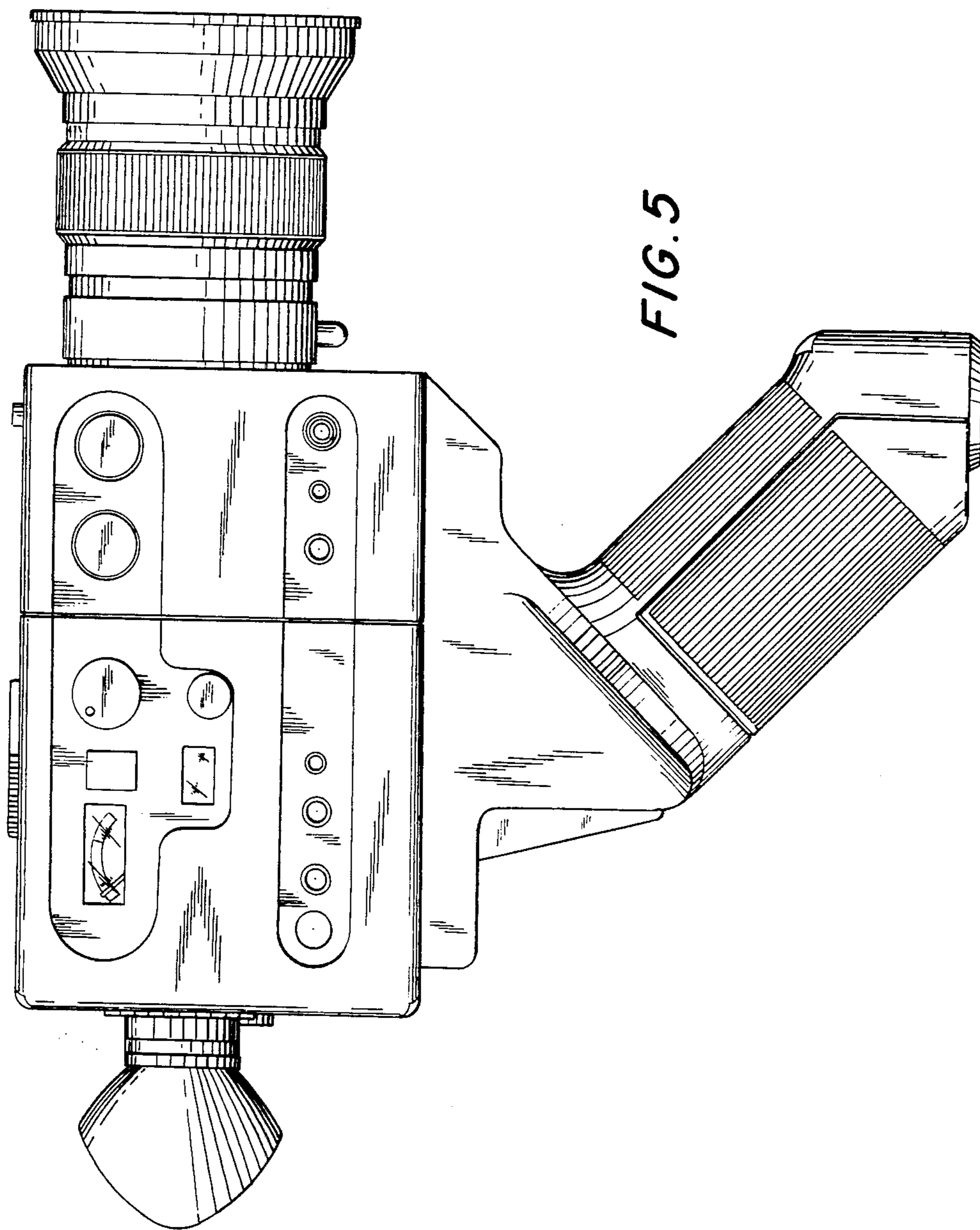
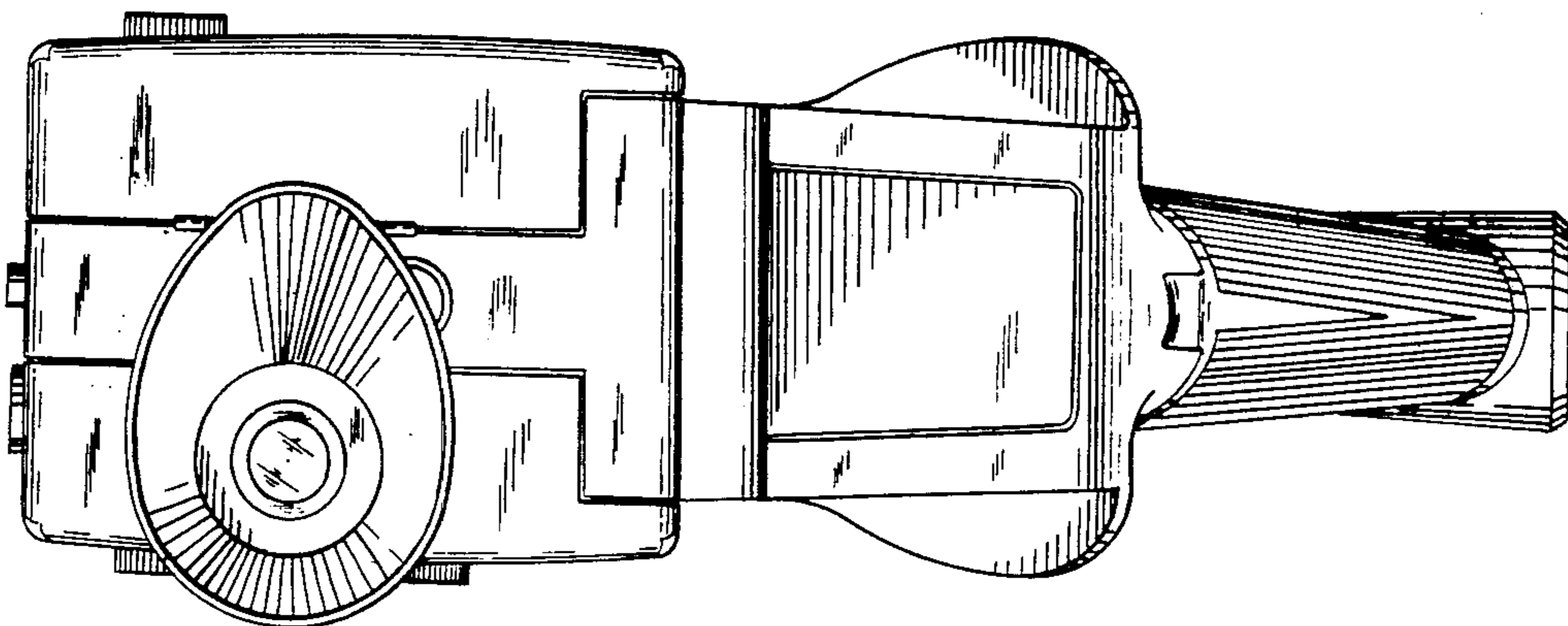


FIG. 7

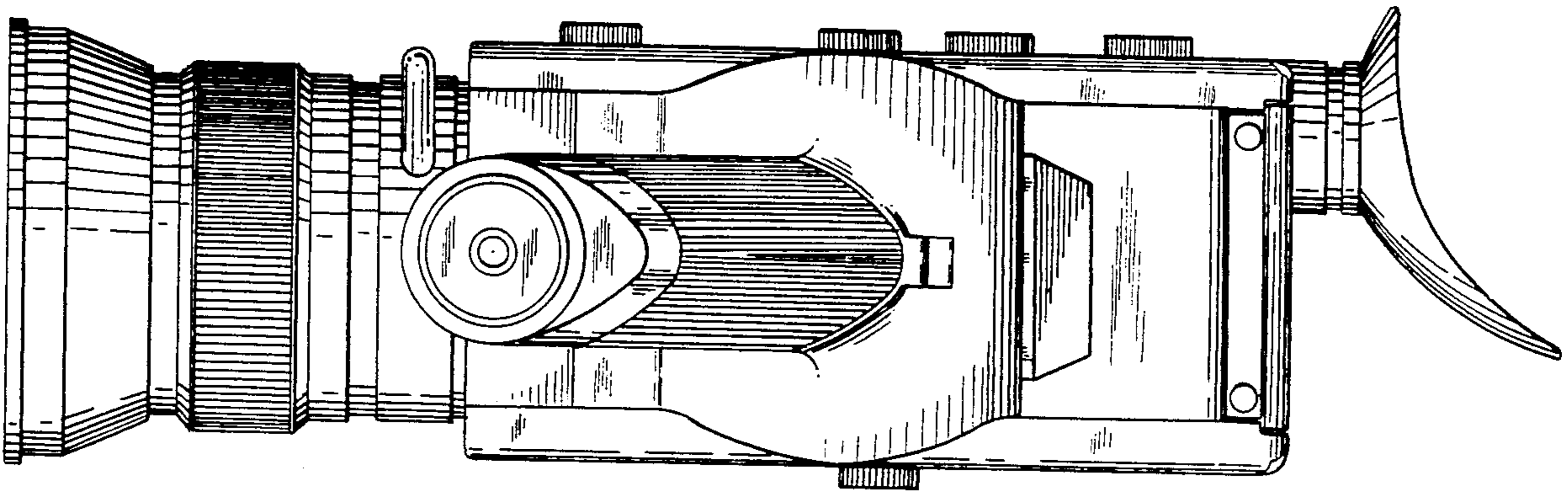


FIG. 6

