

[54] HARROW FOR FORESTRY USE

[76] Inventor: Paavo Haataja, SF-05200 Rajamaki, Finland

[**] Term: 7 Years

[21] Appl. No.: 659,157

[22] Filed: Feb. 18, 1976

[51] Int. Cl. D15-03

[52] U.S. Cl. D15/11

[58] Field of Search D15/28, 29, 27, 11; 172/57, 108, 109, 124, 548, 574, 576, 587, 580, 645, 649, 651, 659, 660, 663, 694, 697, 742; 37/2 R, 2 P

[56]

References Cited

U.S. PATENT DOCUMENTS

3,750,758	8/1973	Bancel	172/108
3,760,885	9/1973	McKenzie	37/2 R
3,898,752	8/1975	Ulve	37/2 R

Primary Examiner—Wallace R. Burke
Assistant Examiner—James M. Gandy
Attorney, Agent, or Firm—Martin Fleit

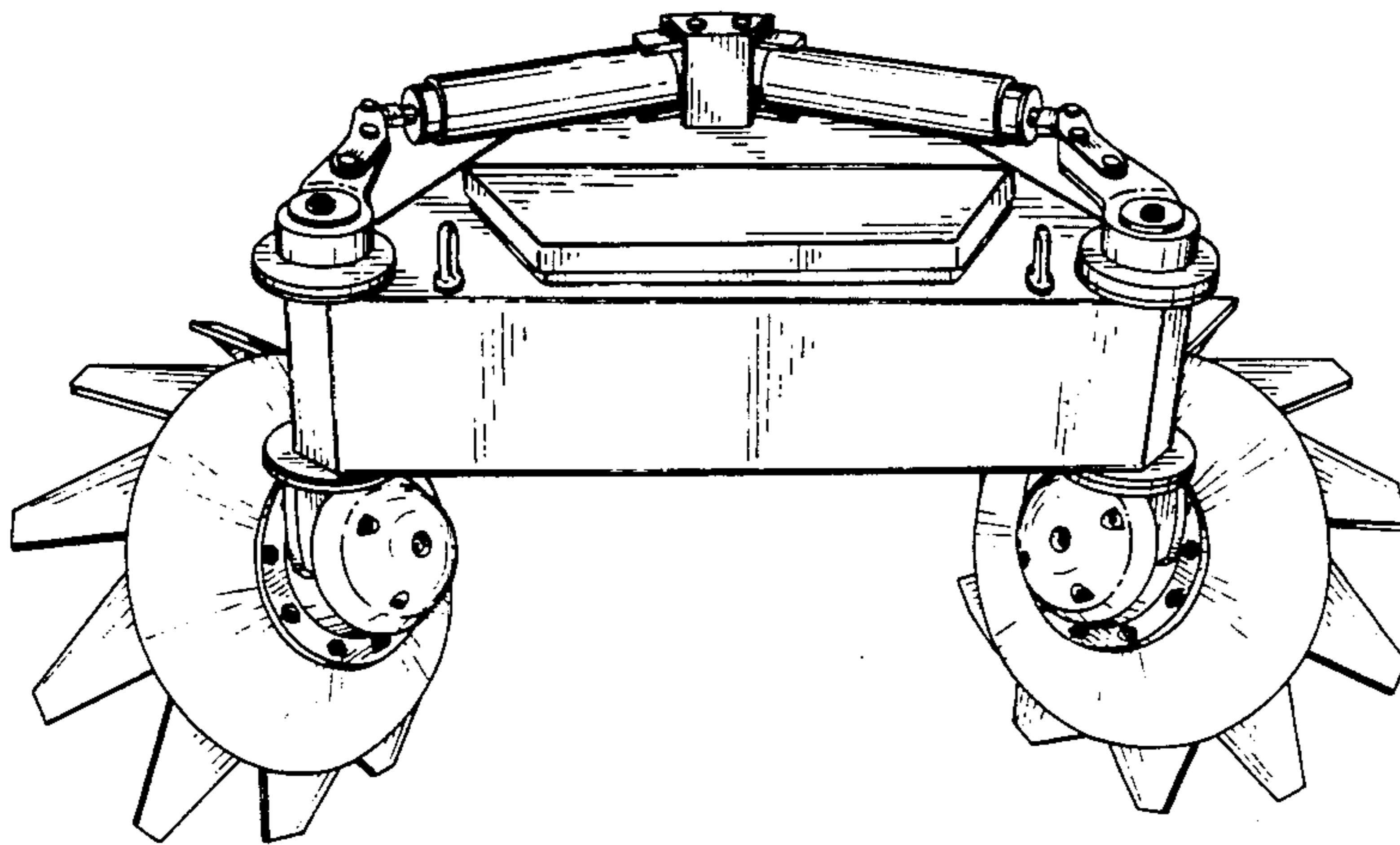
[57]

CLAIM

The ornamental design for harrow for forestry use, as shown and described.

DESCRIPTION

FIG. 1 is a rear perspective view of a harrow for forestry use showing my new design; and FIG. 2 is a side elevational view thereof, the opposite side being a mirror image of the side shown herein. FIG. 3 is a front elevational view thereof. The bottom of the harrow is flat and unornamented.



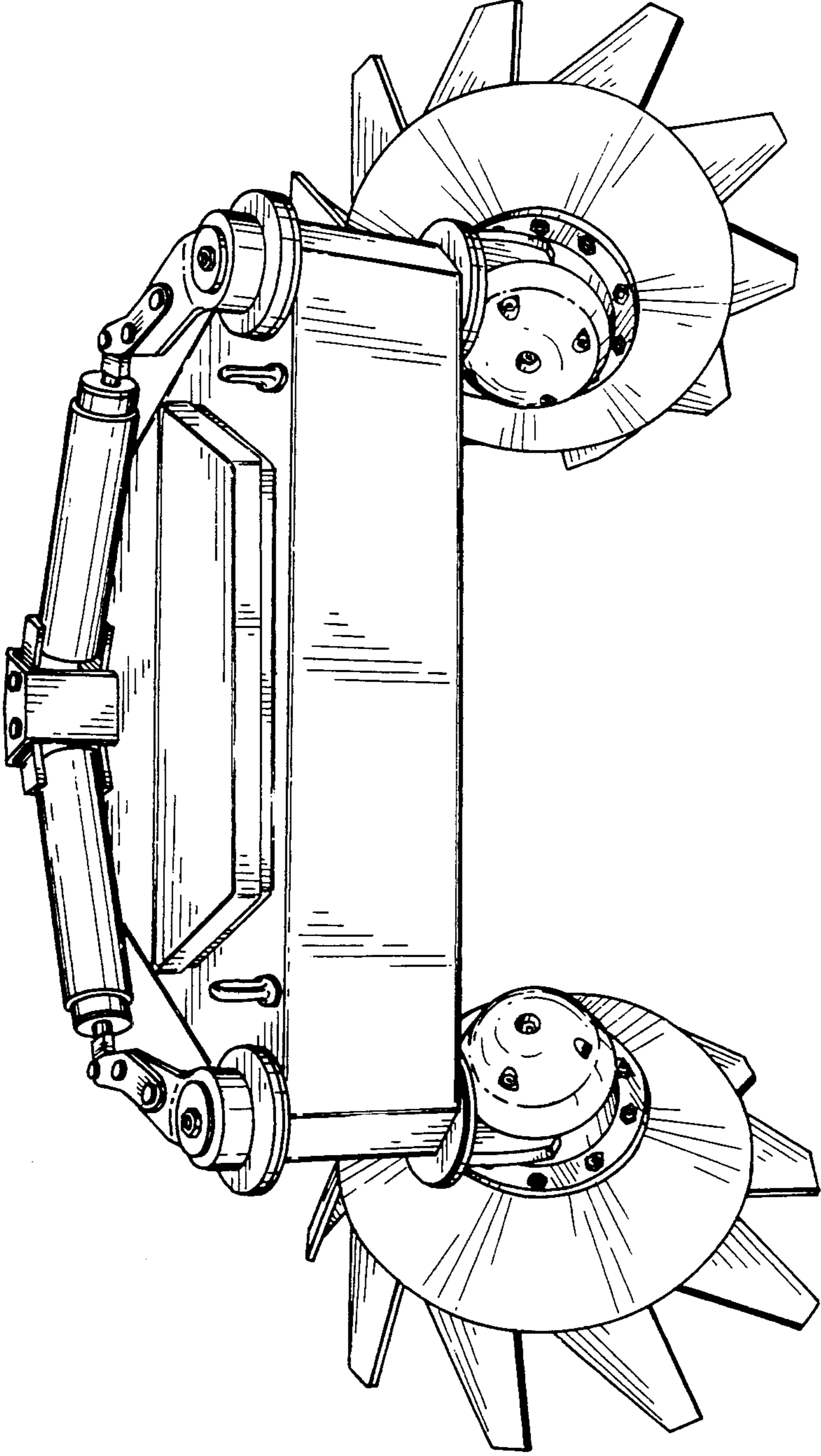


FIG. 1

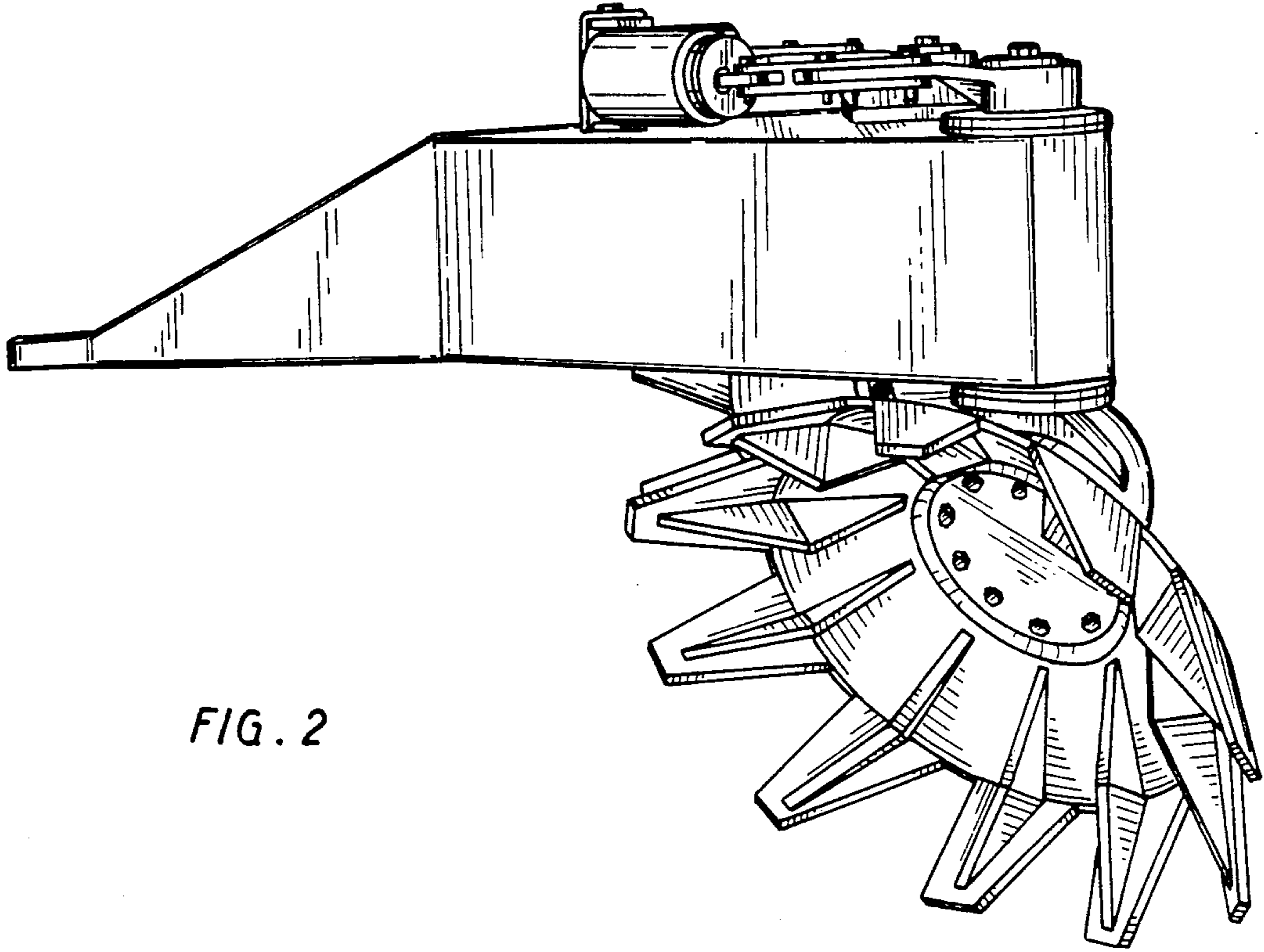


FIG. 2

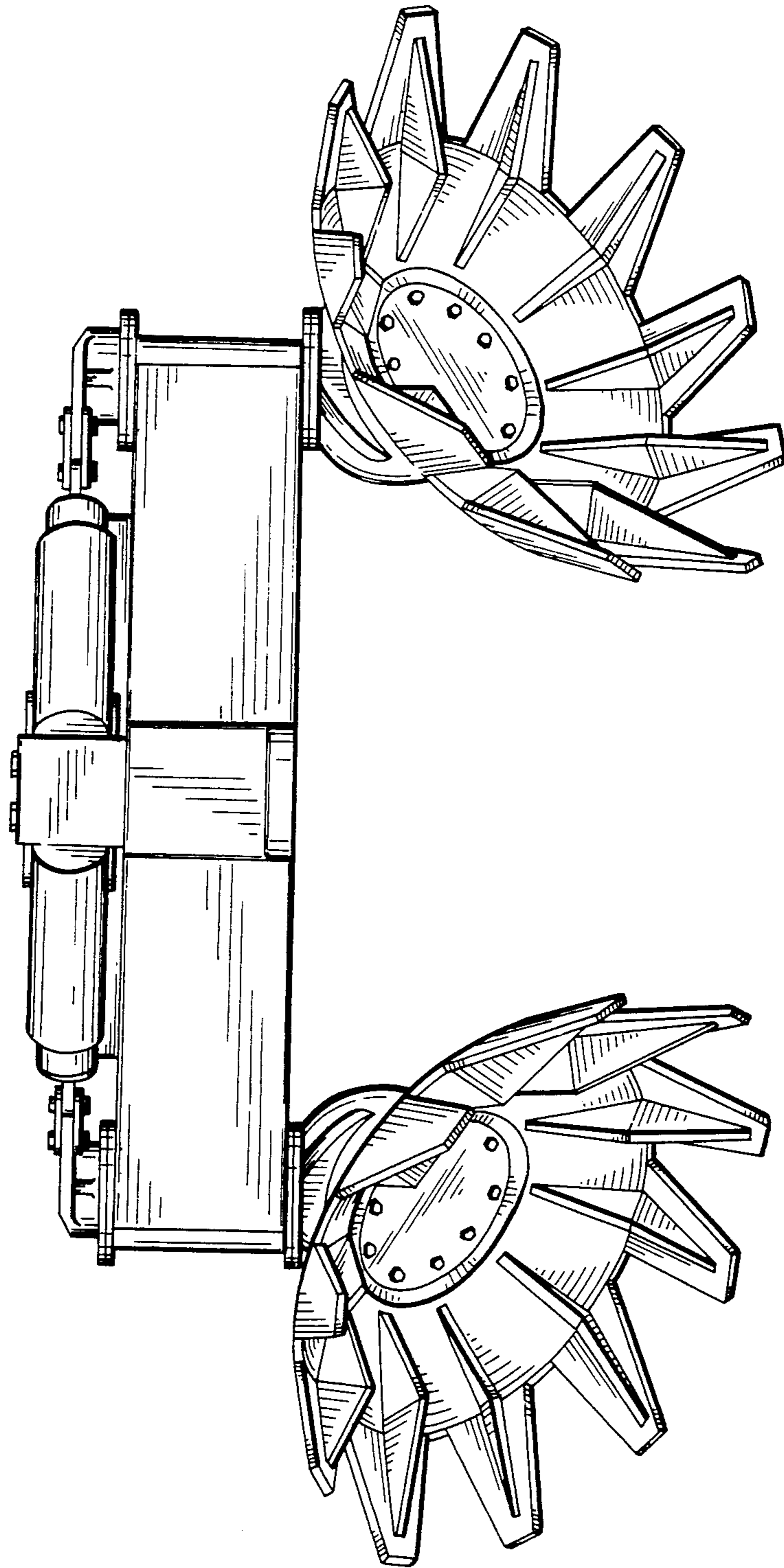


FIG. 3