

[54] HIGH-FIDELITY RECEIVER CABINET

[76] Inventor: Jakob Jensen, 7840 Hojslev, Jutland, Denmark

[**] Term: 14 Years

[21] Appl. No.: 659,346

[22] Filed: Feb. 19, 1976

[51] Int. Cl. D14-03

[52] U.S. Cl. D14/71

[58] Field of Search D14/71, 96, 76, 6, 75, D14/2; 325/412, 119

[56] References Cited

U.S. PATENT DOCUMENTS

- D. 215,725 10/1969 Levow D14/6
- D. 218,648 9/1970 Boldt et al. D14/71
- D. 223,931 6/1972 Matsuda D14/6
- D. 228,505 10/1973 Hamada D14/96

D. 233,479 10/1974 Kainass D14/72

Primary Examiner—Bernard Ansher
Attorney, Agent, or Firm—James P. Hume

[57] CLAIM

A high-fidelity receiver cabinet, or the like, substantially as shown and described.

DESCRIPTION

FIG. 1 is a perspective view of a high-fidelity receiver or the like, showing our new design;
 FIG. 2 is an end elevation view thereof;
 FIG. 3 is a perspective view, of a high-fidelity receiver with the adjustable lid in a raised position;
 FIG. 4 is an end elevation view of the high-fidelity receiver in the position shown in FIG. 3;
 FIG. 5 is a top plan view thereof with portions shown fragmentarily in section along line 5—5 of FIG. 3;
 FIG. 6 is a rear view thereof with the adjustable lid in the lower position, as in FIG. 1.

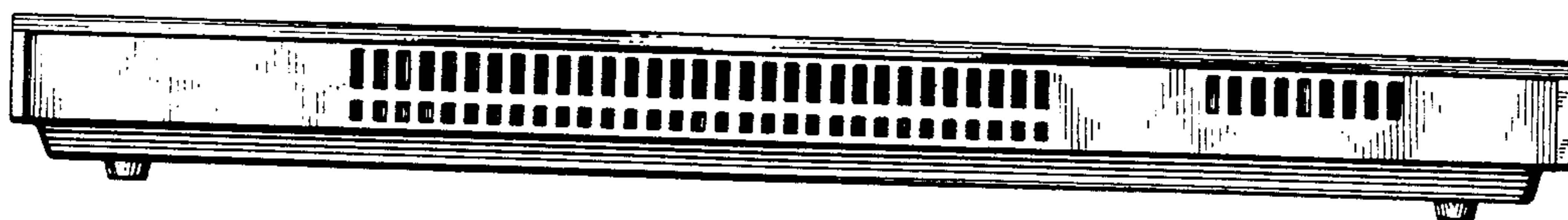
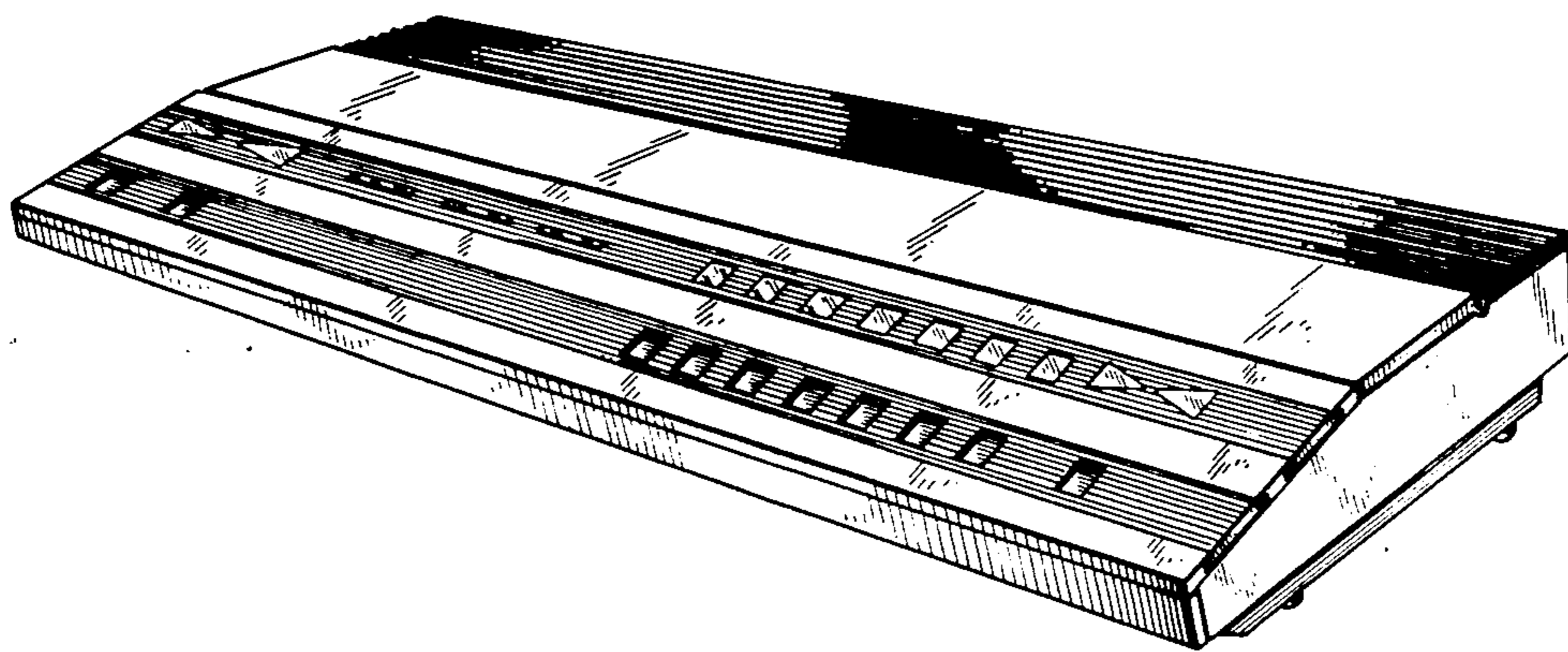


FIG. 1

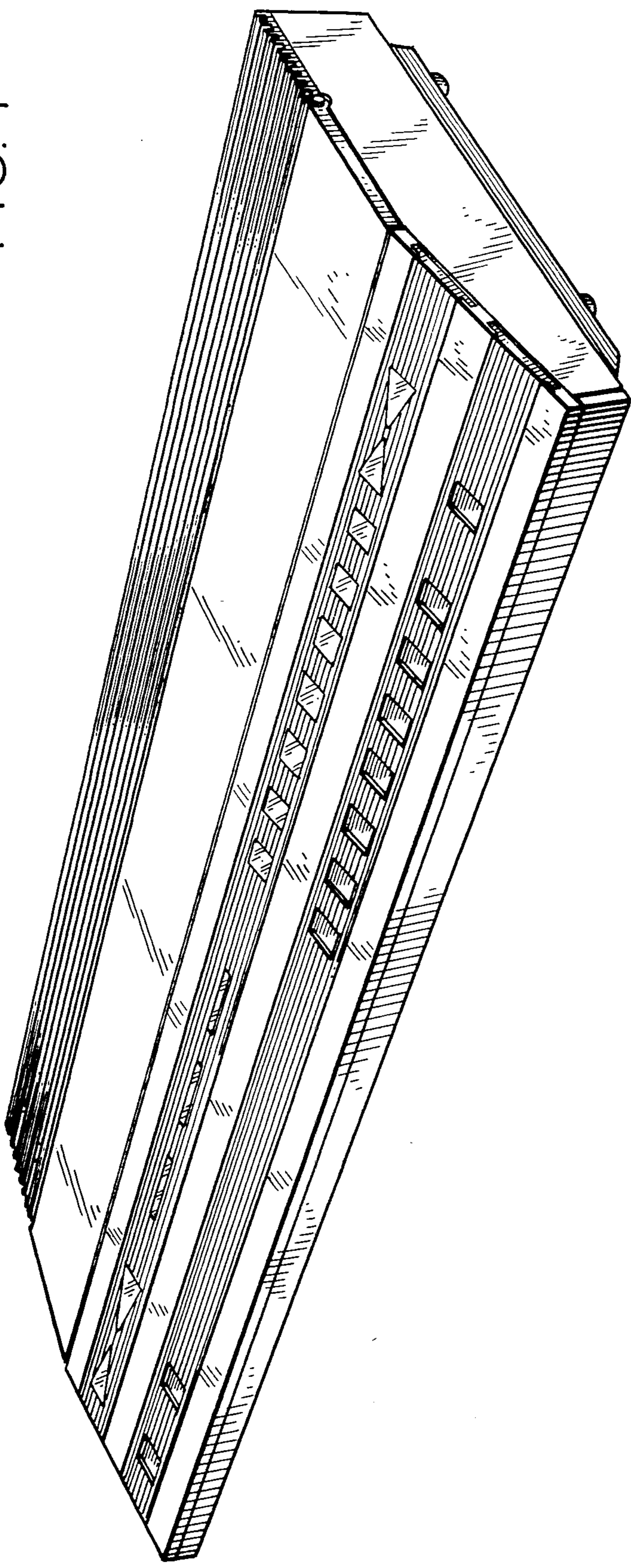


FIG. 2

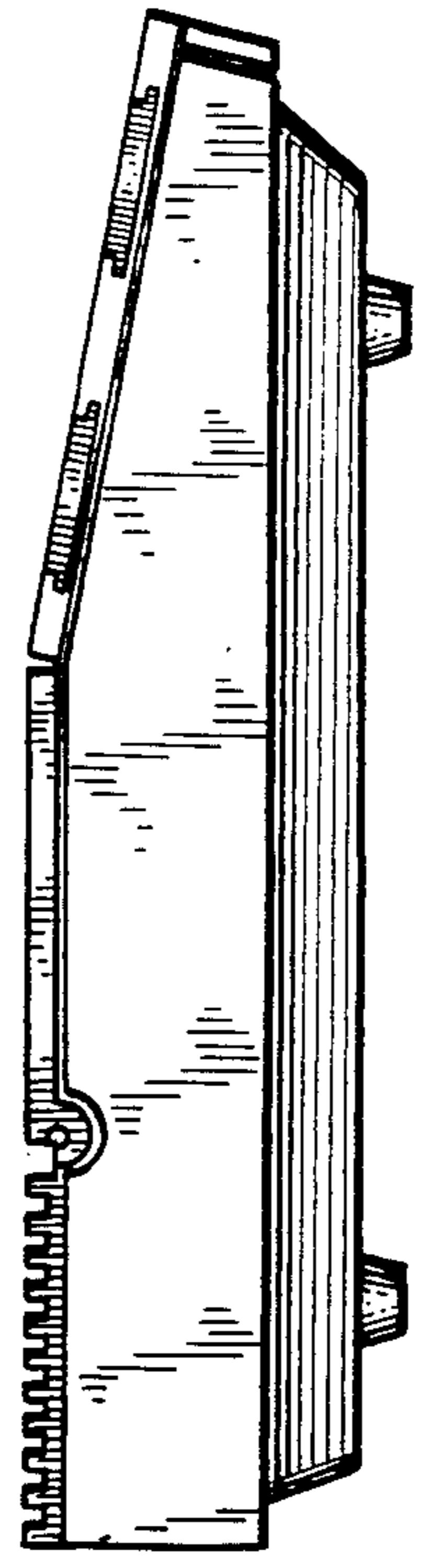


FIG. 3

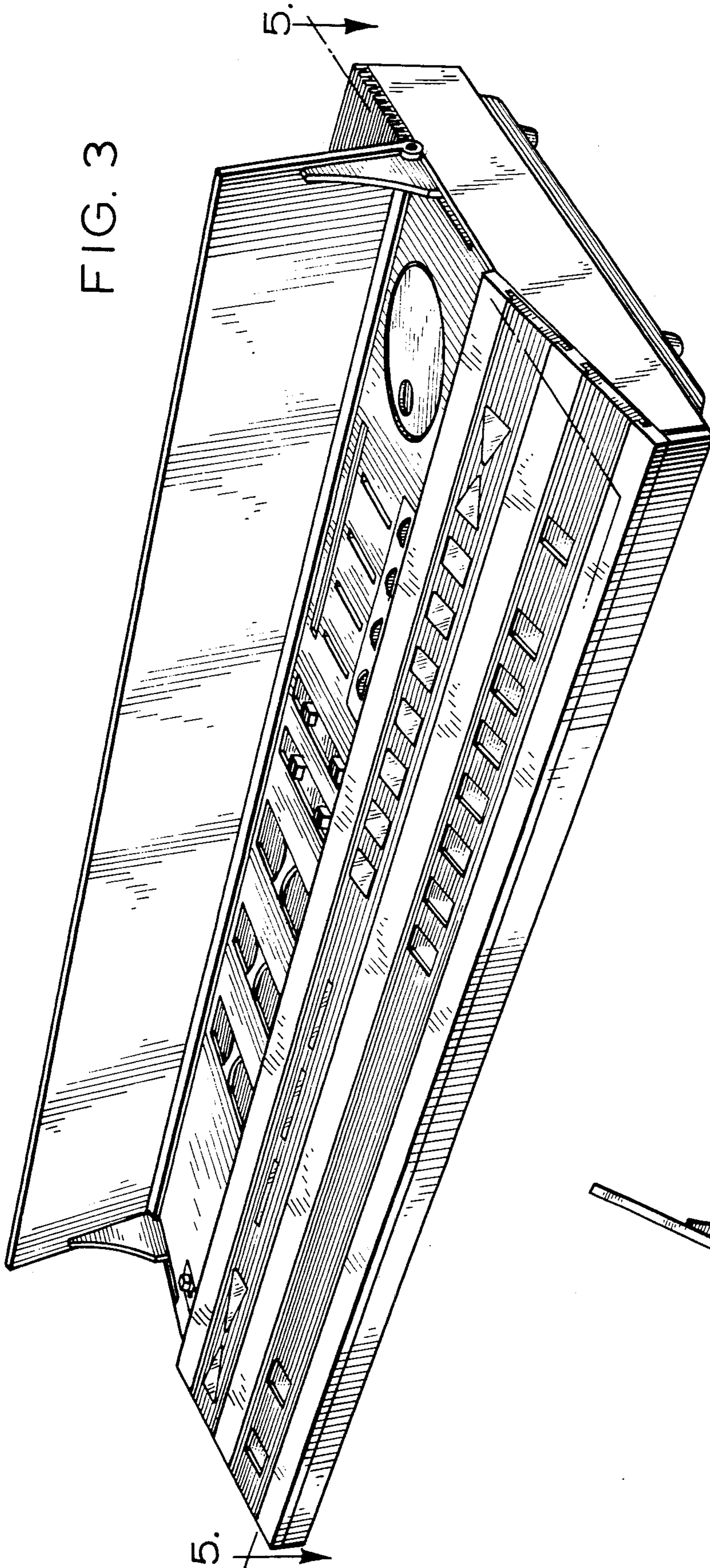


FIG. 4

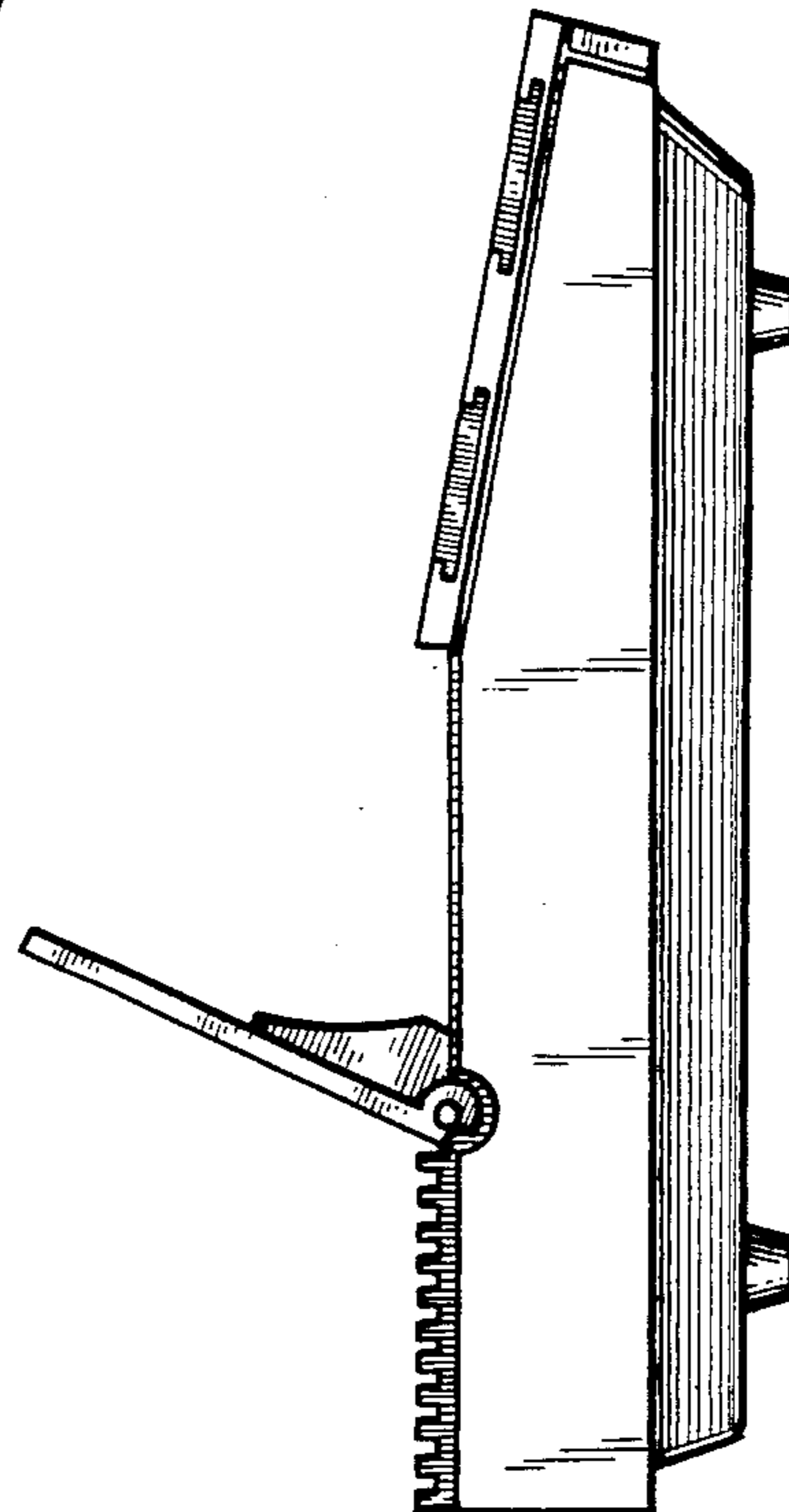


FIG. 5

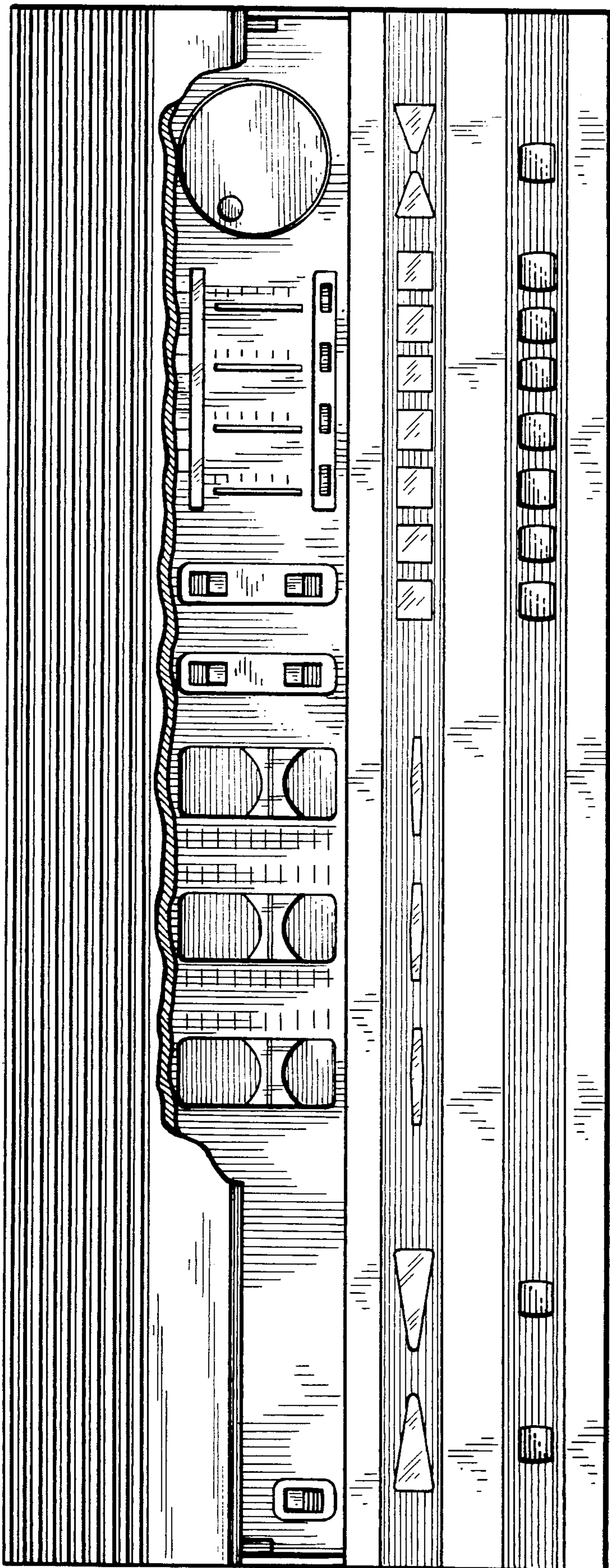


FIG. 6

