

[54] HAND DYNAMOMETER

[75] Inventor: Joseph M. Breuer, Brooklyn, N.Y.

[73] Assignee: J. A. Preston Corporation, New York, N.Y.

[**] Term: 14 Years

[21] Appl. No.: 704,607

[22] Filed: Jul. 12, 1976

[51] Int. Cl. D10-04

[52] U.S. Cl. D10/83

[58] Field of Search D10/46, 83; D34/5 K; 73/379, 381, 133 R, 133 A, 133 B, 133 C, 133 D, 137 R, 138 R

[56] References Cited

U.S. PATENT DOCUMENTS

D. 188,545 8/1960 Ylinen D34/5 K

D. 211,831	7/1968	Berne	D10/83
1,718,413	6/1929	Edwards	73/381 X
3,216,259	11/1965	Bendix	73/381 X
3,672,219	6/1972	Van Patten	73/379

Primary Examiner—Nelson C. Holtje
Attorney, Agent, or Firm—Alex Friedman

[57] CLAIM

The ornamental design for a hand dynamometer, as shown.

DESCRIPTION

FIG. 1 is a top plan view of a hand dynamometer showing my new design;
FIG. 2 is a side elevational view thereof;
FIG. 3 is an end elevational view thereof;
FIG. 4 is a side elevational view showing the side opposite that shown in FIG. 2;
FIG. 5 is an end elevational view showing the end opposite that shown in FIG. 3; and
FIG. 6 is a bottom plan view thereof.

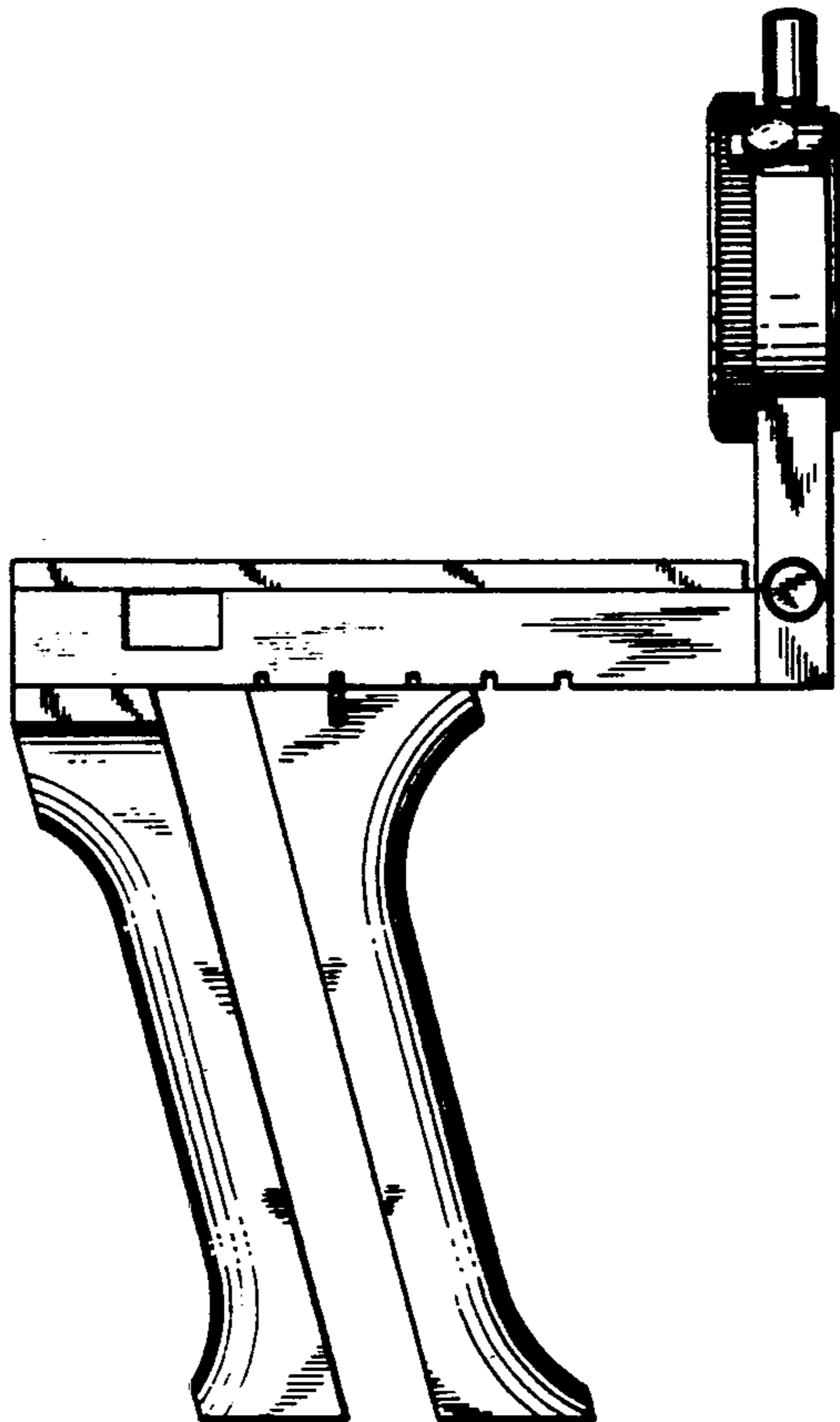


FIG. 1

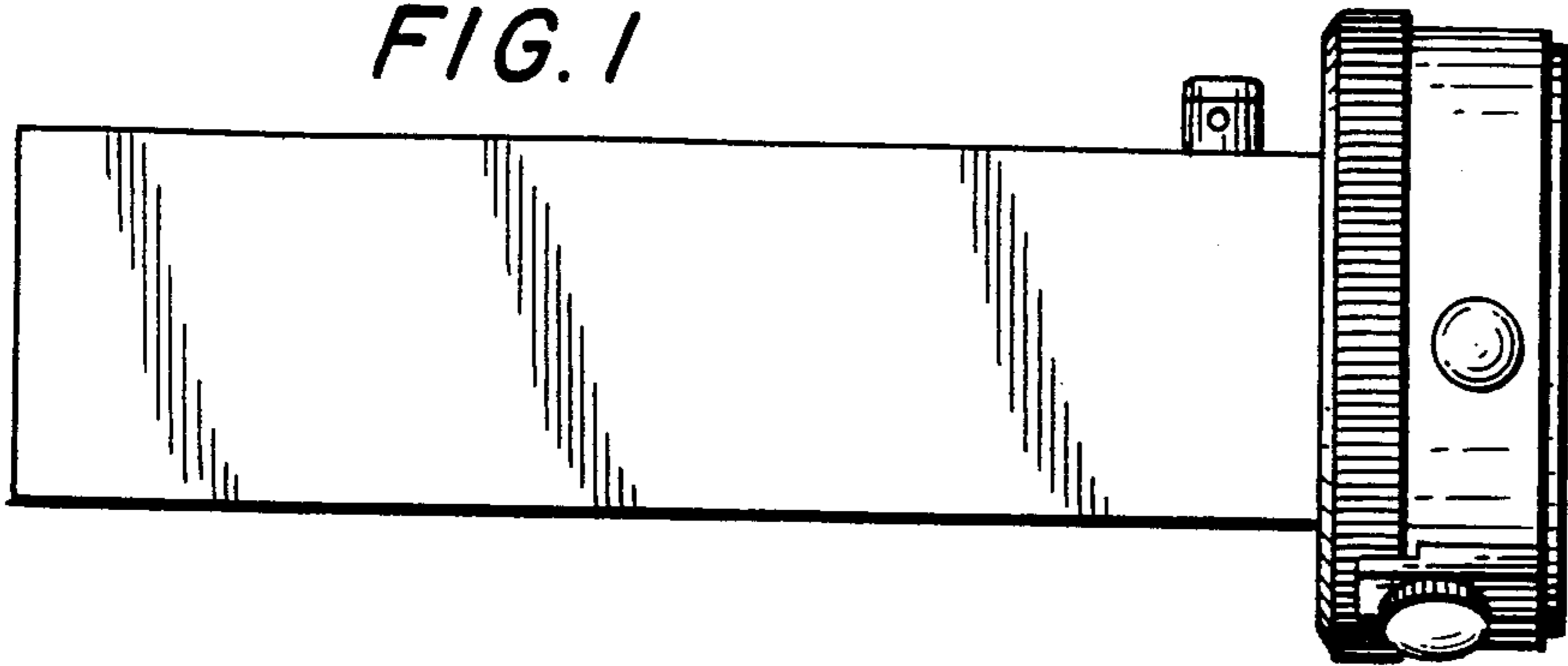


FIG. 2

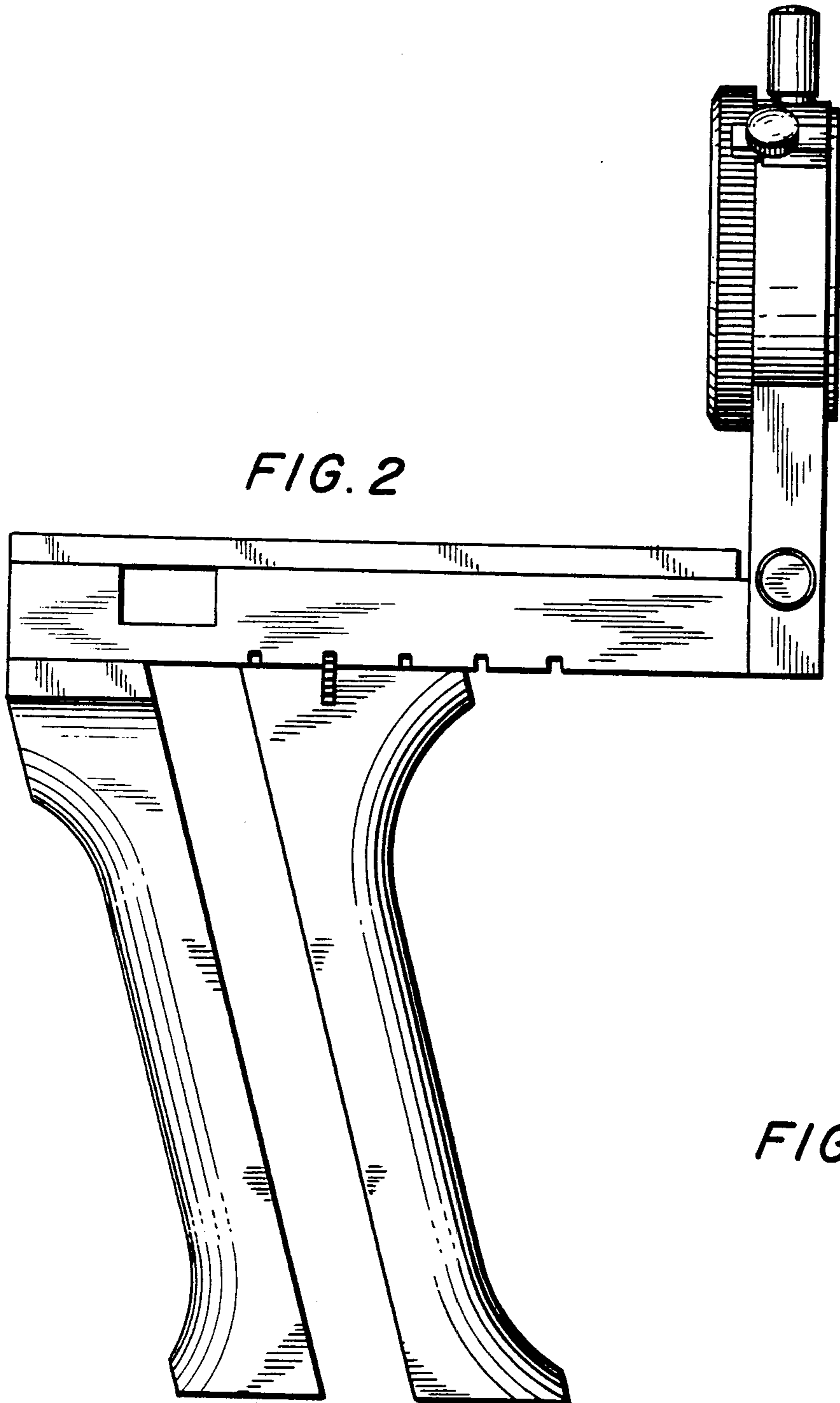
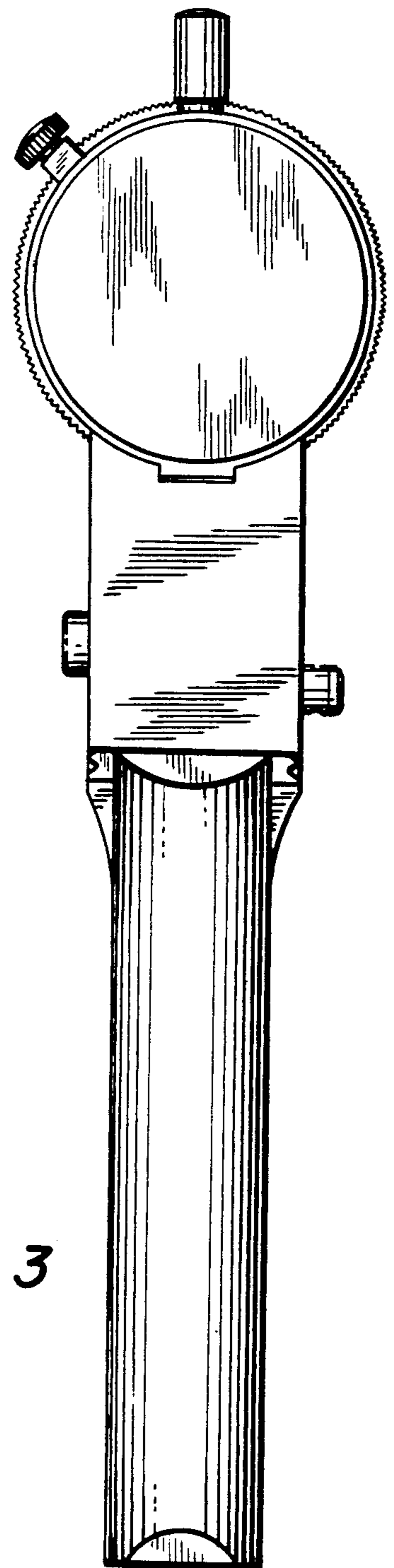


FIG. 3



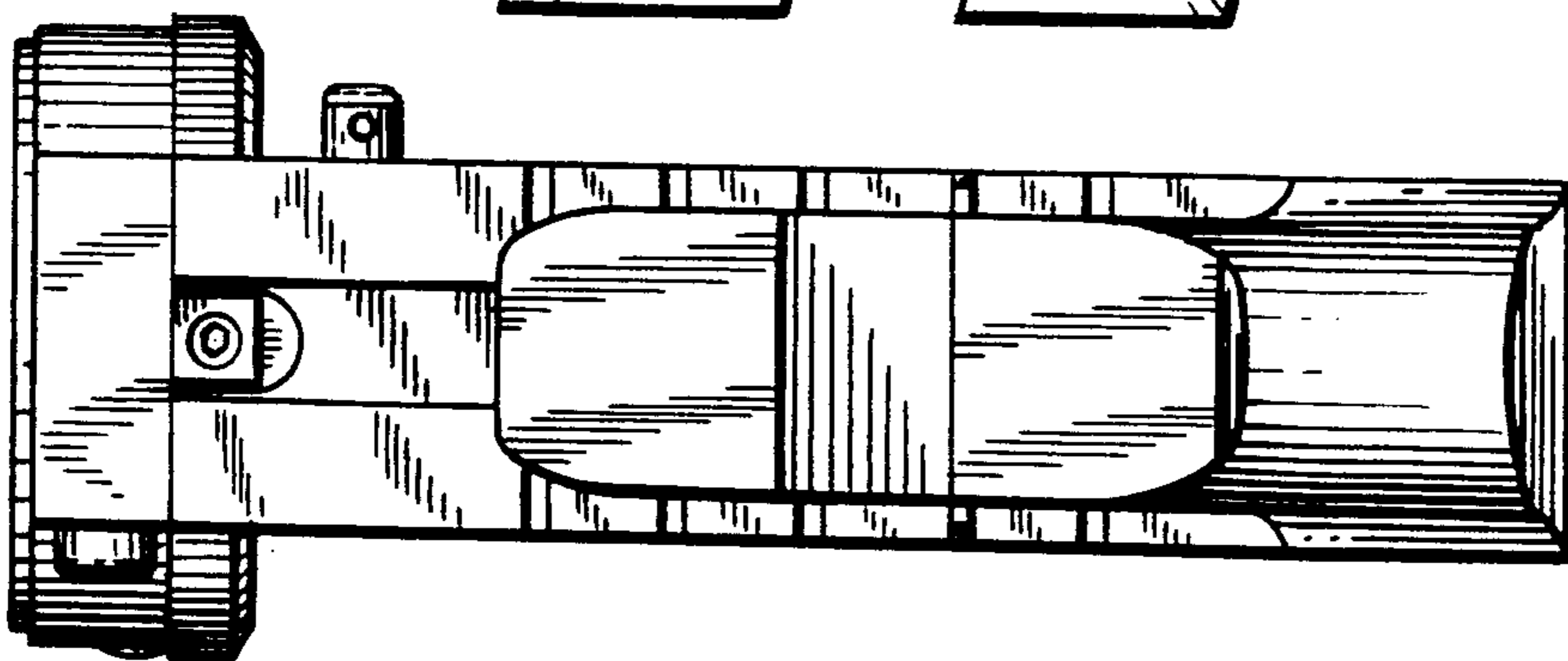
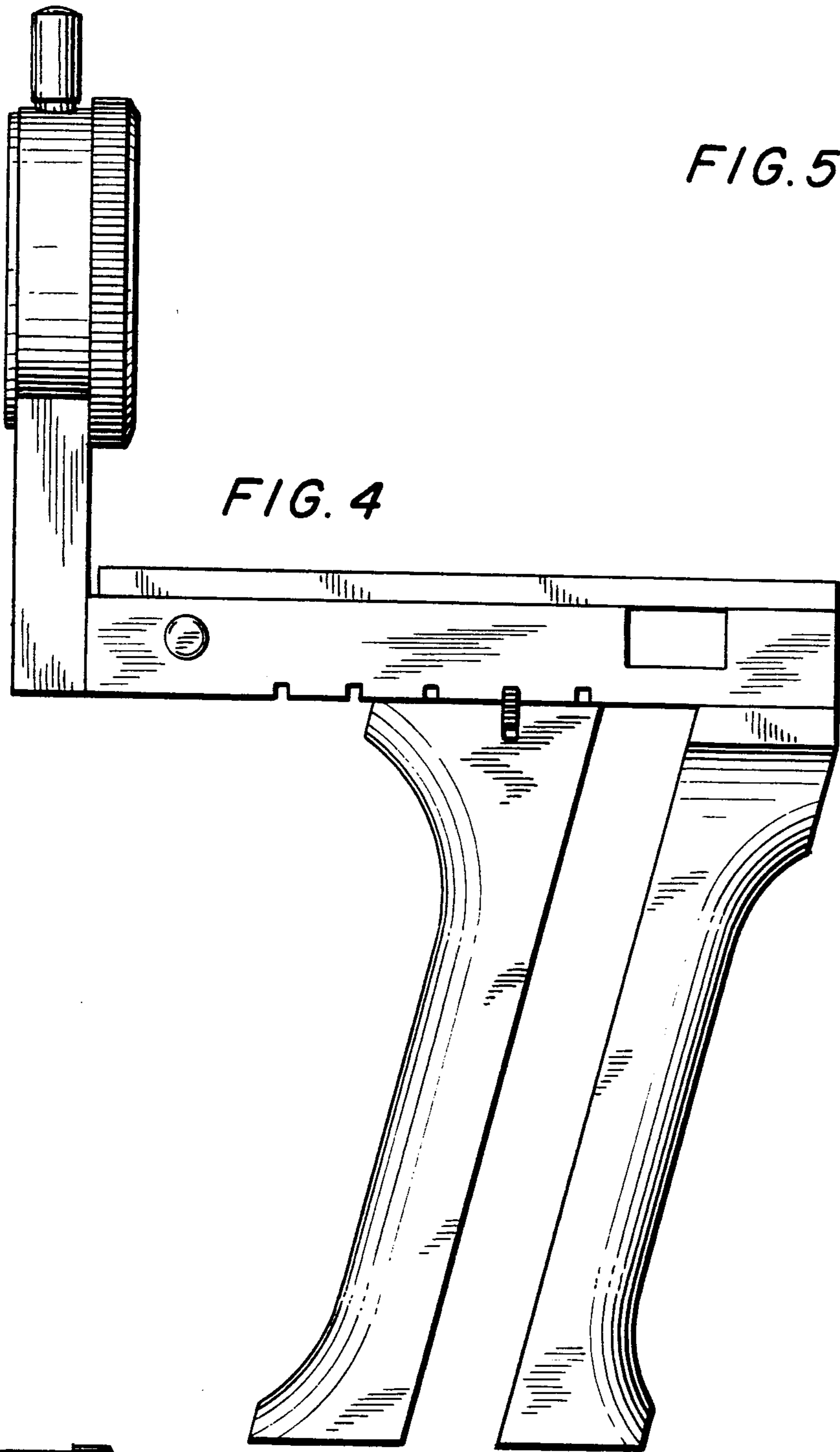


FIG. 6