

[54] ELECTRONIC CLOCK

[76] Inventor: Shay Liberman, 340 W. 86th St., New York, N.Y. 10024

[**] Term: 14 Years

[21] Appl. No.: 722,386

[22] Filed: Sep. 13, 1976

[51] Int. Cl. D10-01

[52] U.S. Cl. D10/15

[58] Field of Search D10/15, 21-23; 58/50 R, 50 A, 53-56; D56/4 B

[56] References Cited

U.S. PATENT DOCUMENTS

D. 228,938	10/1973	Watanabe	D10/15
D. 235,517	6/1975	Watanabe	D10/15
2,576,119	11/1951	Holzner	58/54

OTHER PUBLICATIONS

Jeweler's Circular-Keystone 7/72, p. 61-clock at lower-left.

Jeweler's Circular-Keystone 5/68, p. 65-clock at top-right.

Interiors 2/68-p. 8 -clock at 2nd from top-right.

Home Furnishings Daily -6/3/75-p. 19, clock at lower-left.

Primary Examiner-Nelson C. Holtje

Attorney, Agent, or Firm-Mark T. Basseches

[57] CLAIM

The ornamental design for an electronic clock, substantially as shown.

DESCRIPTION

FIG. 1 is a perspective view of an electronic clock showing my new design;

FIG. 2 is a top plan view thereof;

FIG. 3 is a right side elevational view thereof;

FIG. 4 is a rear elevational view thereof.

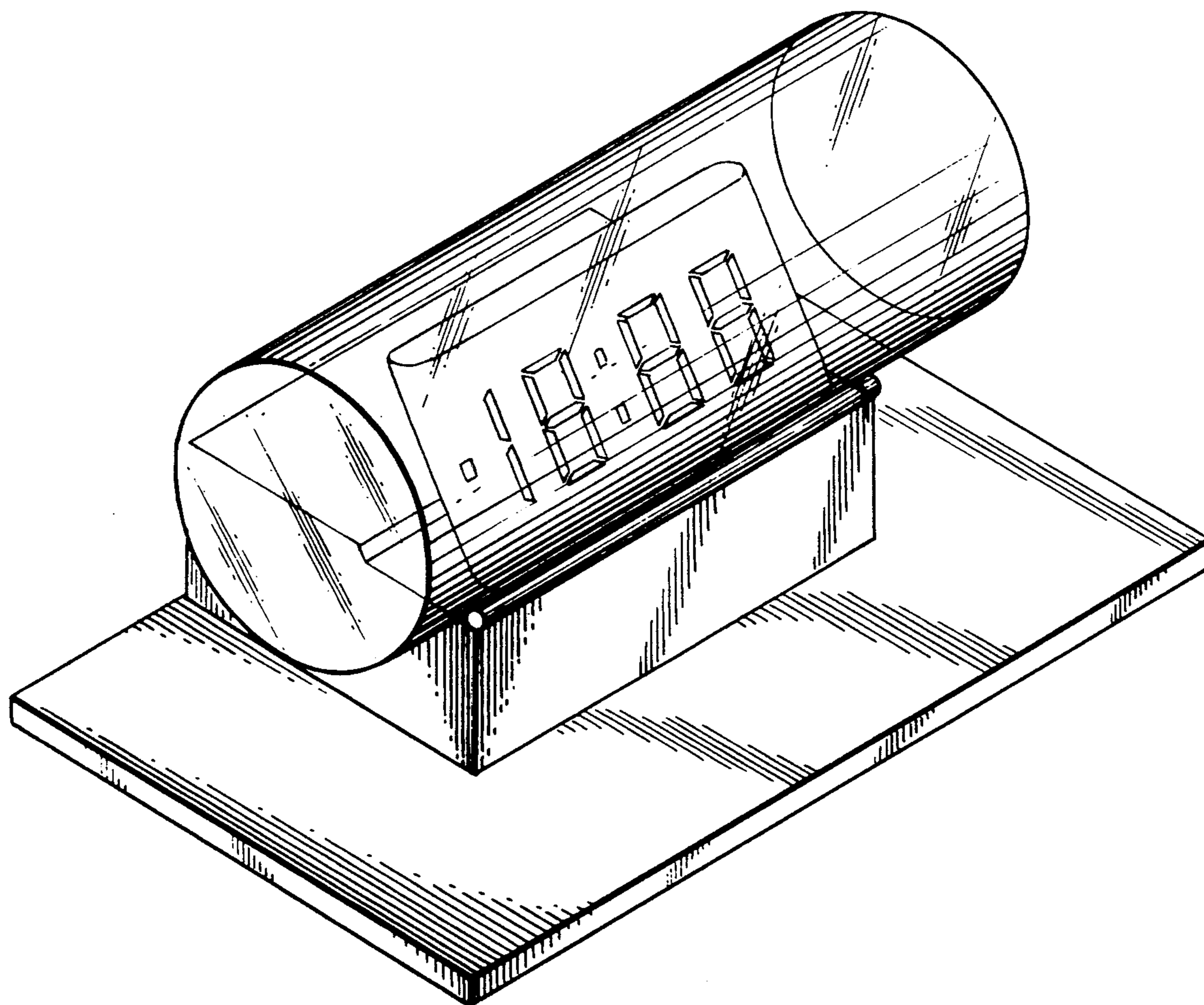


FIG. 1

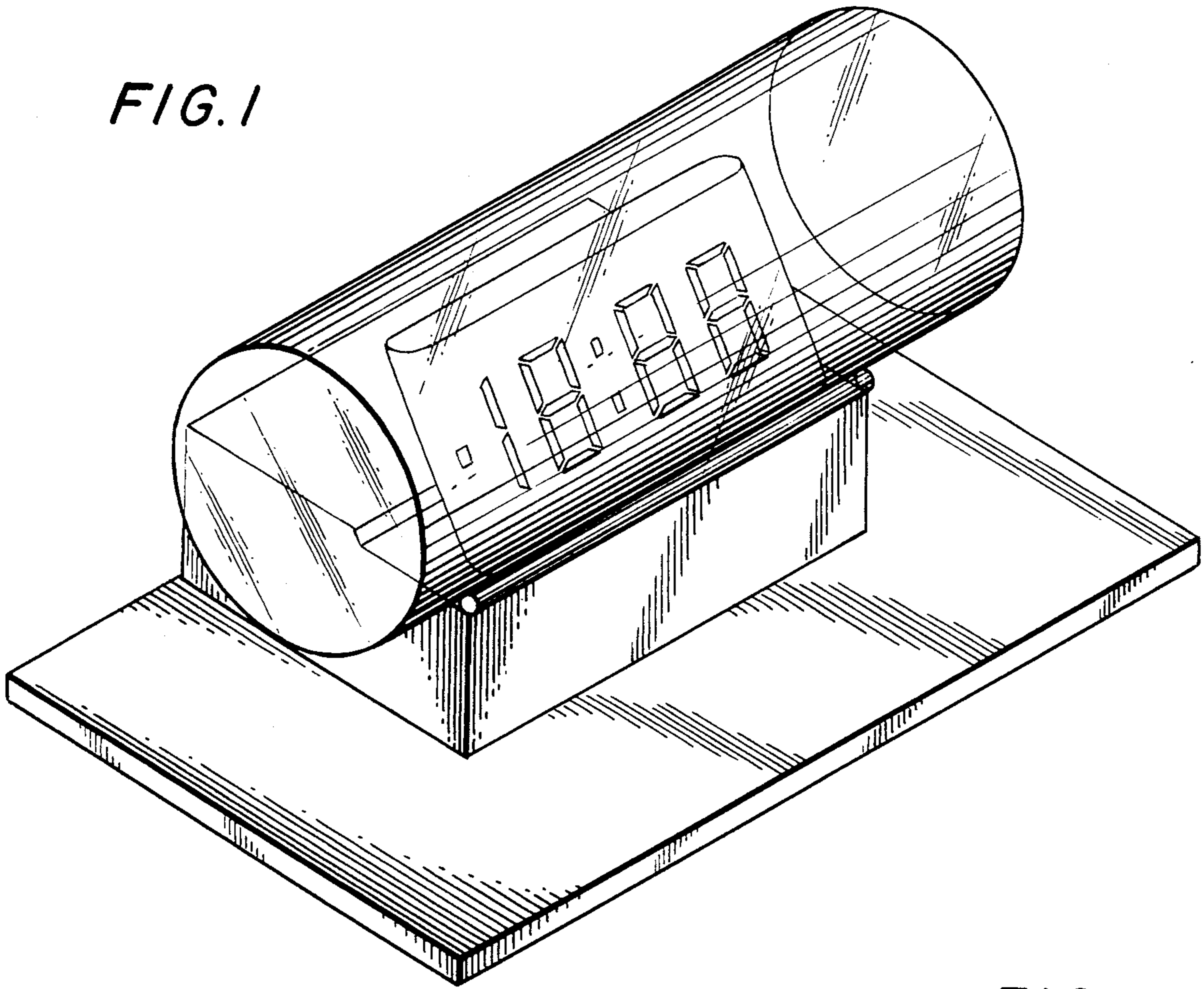


FIG. 2

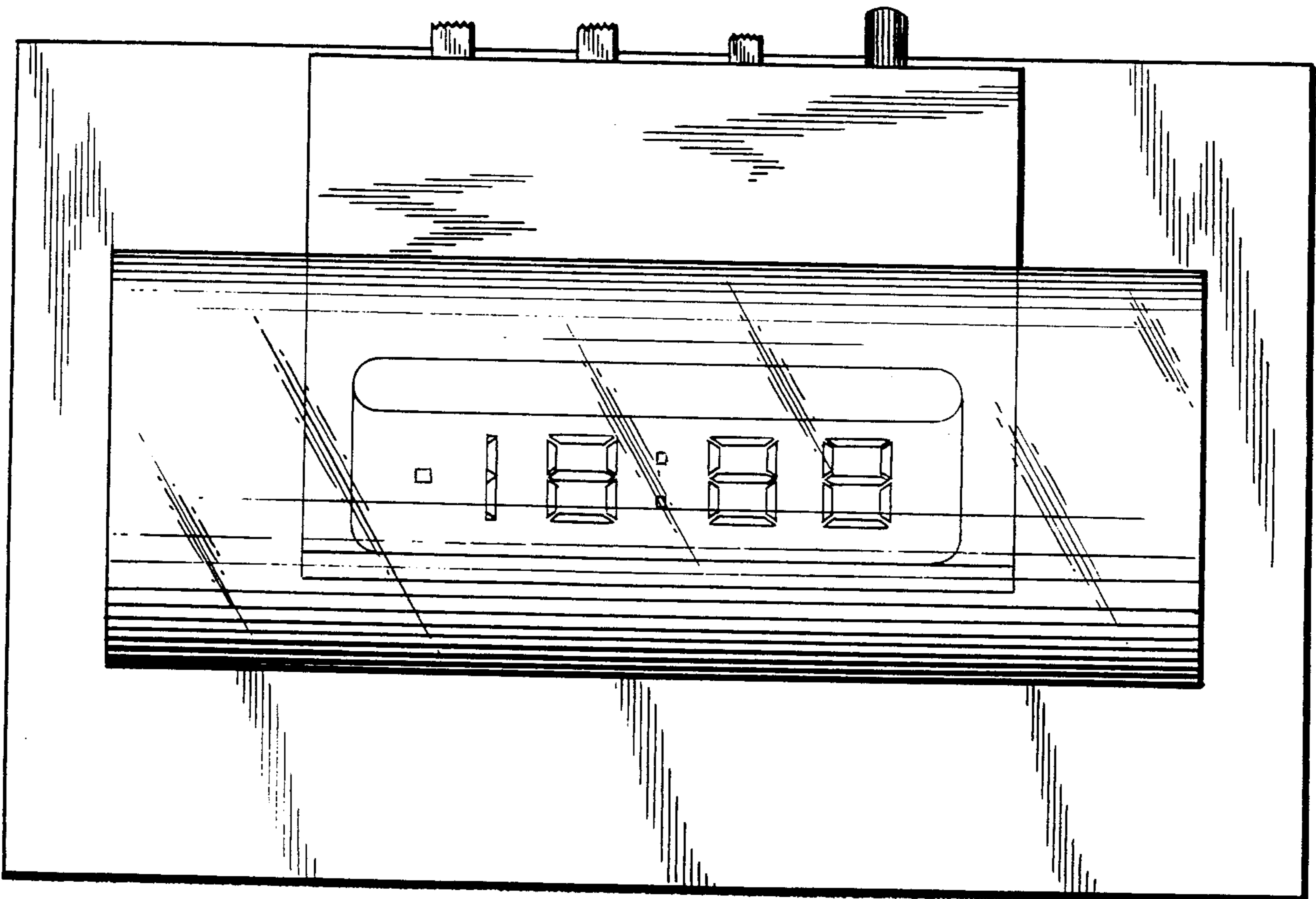


FIG. 3

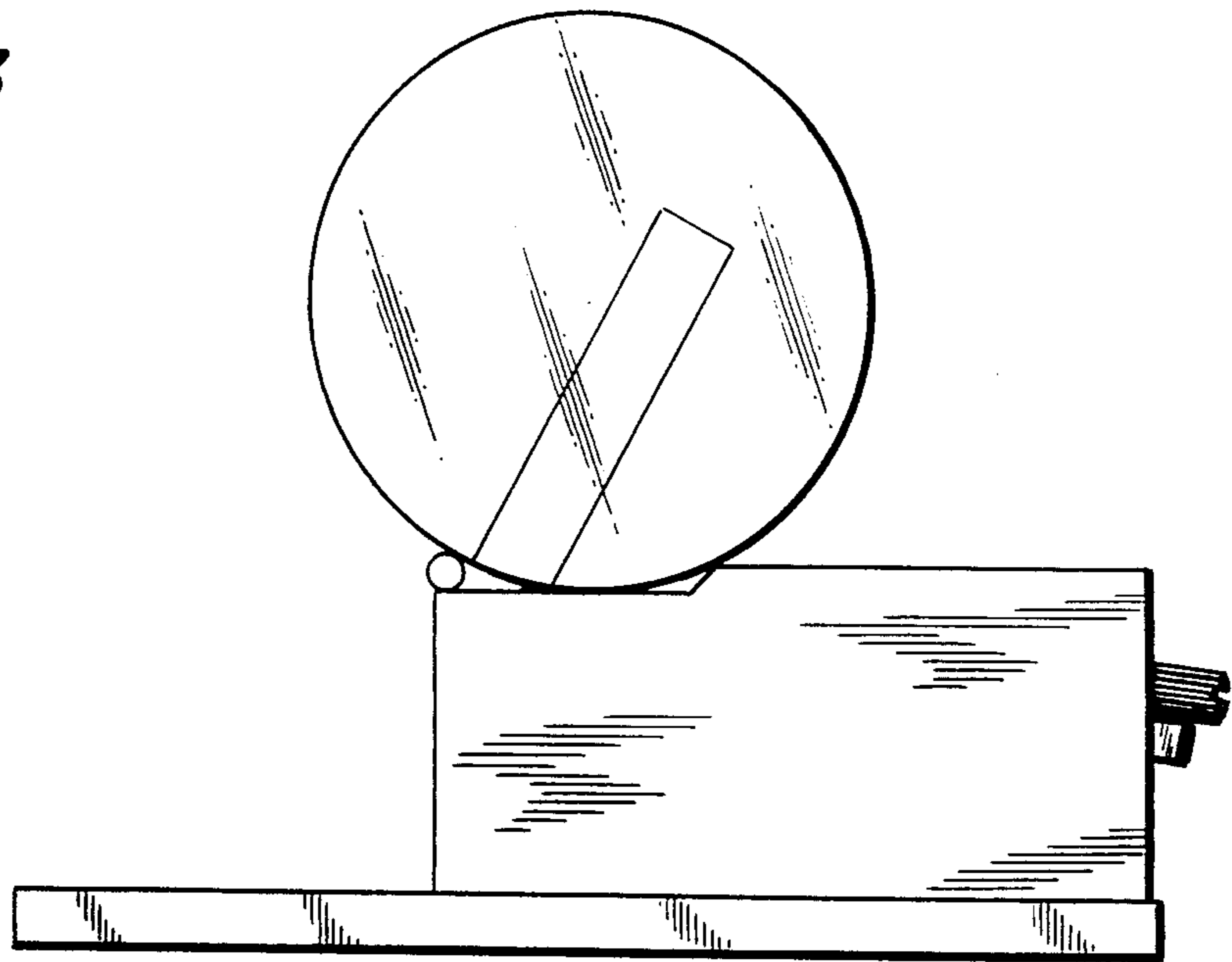


FIG. 4

