

[54] **PLUG**

[75] Inventor: **John Klees**, Cowansville, Canada

[73] Assignee: **Albany International Corporation**

[**] Term: **14 Years**

[21] Appl. No.: **629,880**

[22] Filed: **Nov. 7, 1975**

[51] Int. Cl. **D9-07**

[52] U.S. Cl. **D9/254**

[58] Field of Search 217/110; 229/21, 43,
229/93; 220/200; D9/254, 267, 288, 216

2,464,278 3/1949 Wilson D9/216 X

2,886,203 5/1959 Goll 217/110 X

3,313,442 4/1967 Wurzelbacher 217/110

3,428,213 2/1969 Stephens D9/254 X

Primary Examiner—Robert C. Spangler
Attorney, Agent, or Firm—David S. Kane

[56] **References Cited**
U.S. PATENT DOCUMENTS

D. 197,922 4/1964 Senoff D9/288

D. 216,678 3/1970 Wilcox D9/254

[57] **CLAIM**

The ornamental design for a plug, as shown.

DESCRIPTION

FIG. 1 is an end perspective view of a plug showing my new design;

FIG. 2 is a side elevational view;

FIG. 3 is a plan view of the end not seen in FIG. 1;

FIG. 4 is a sectional view taken along the line 4—4 of FIG. 3; and

FIG. 5 is a sectional view taken along the line 5—5 of FIG. 3.

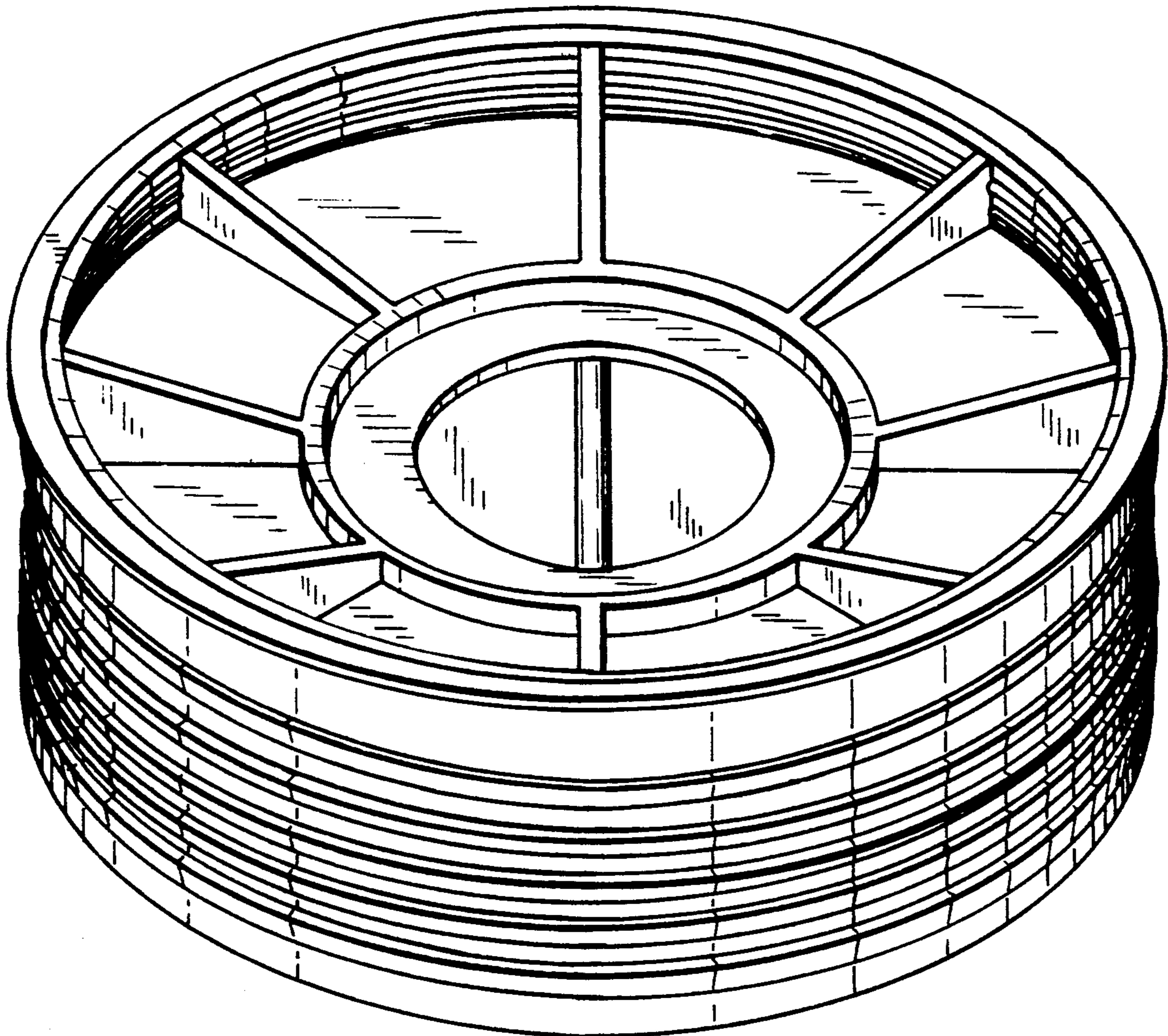


FIG. 1

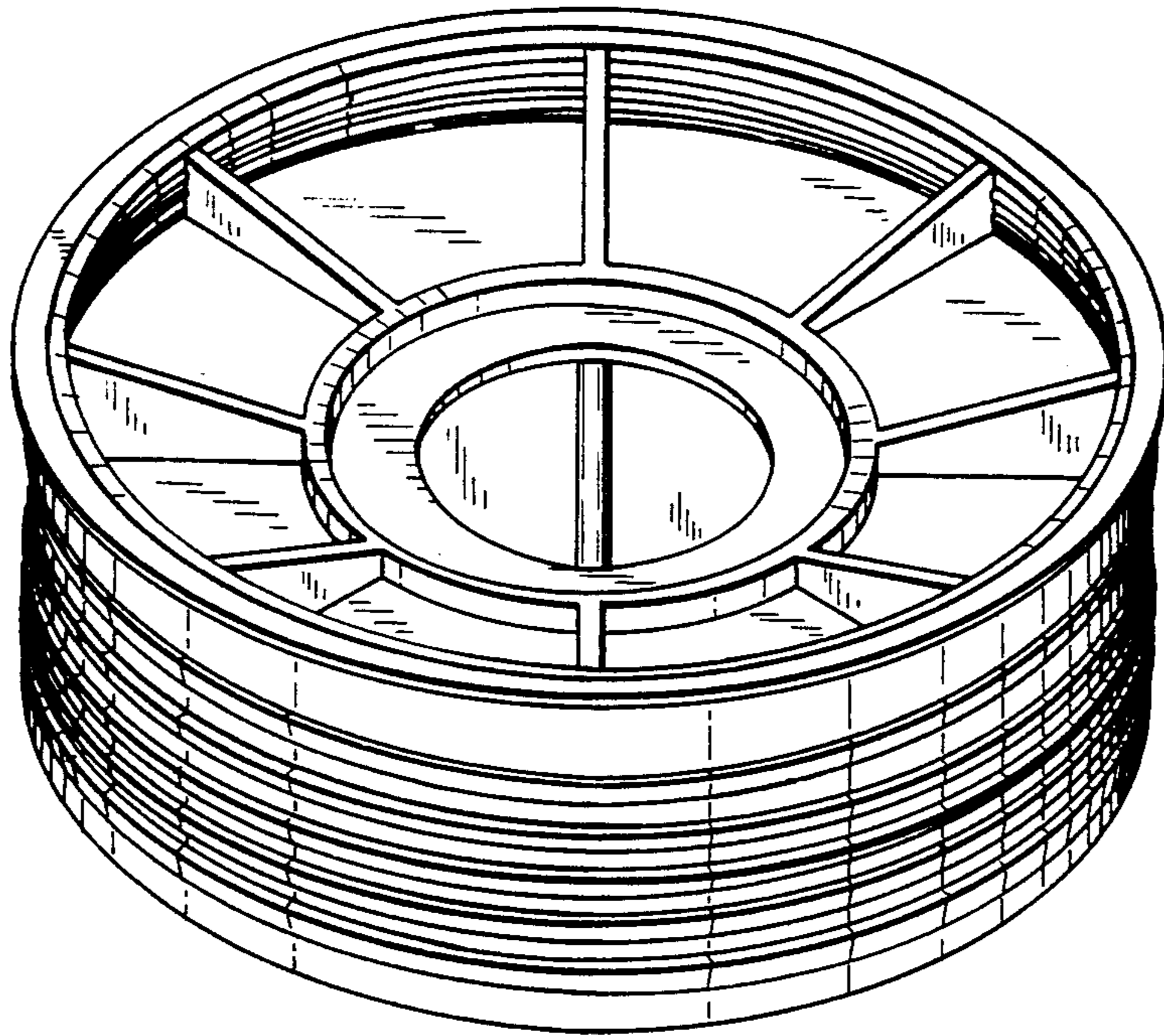
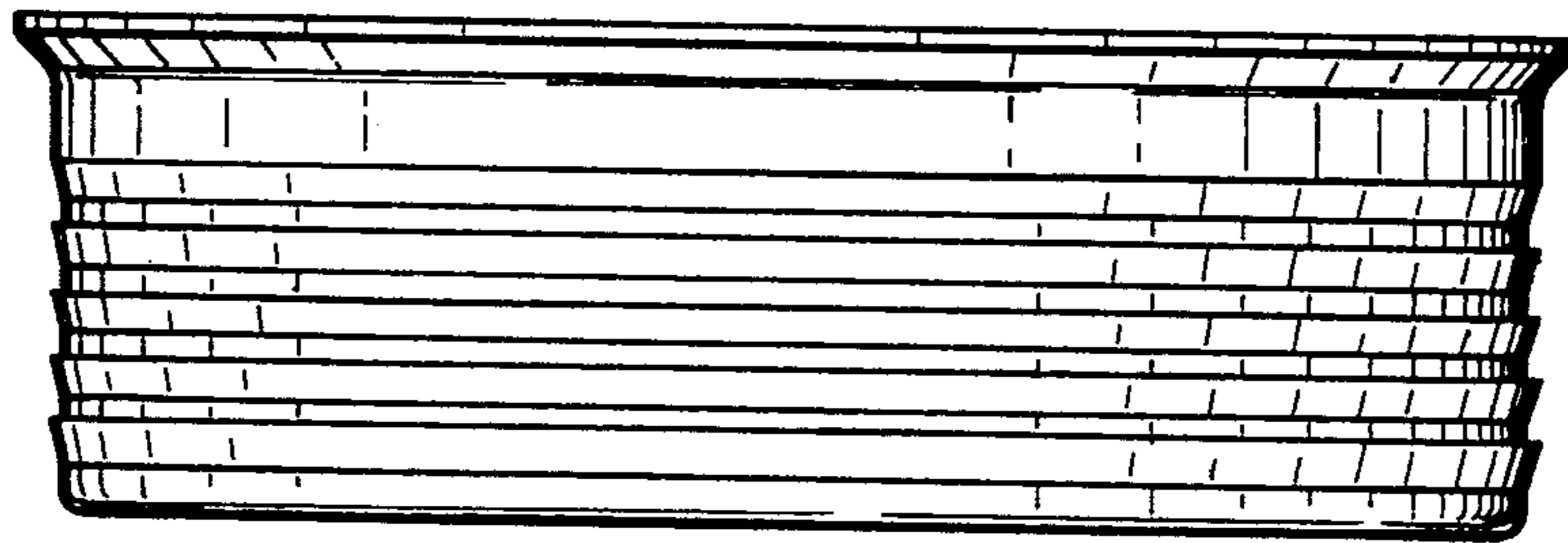


FIG. 2



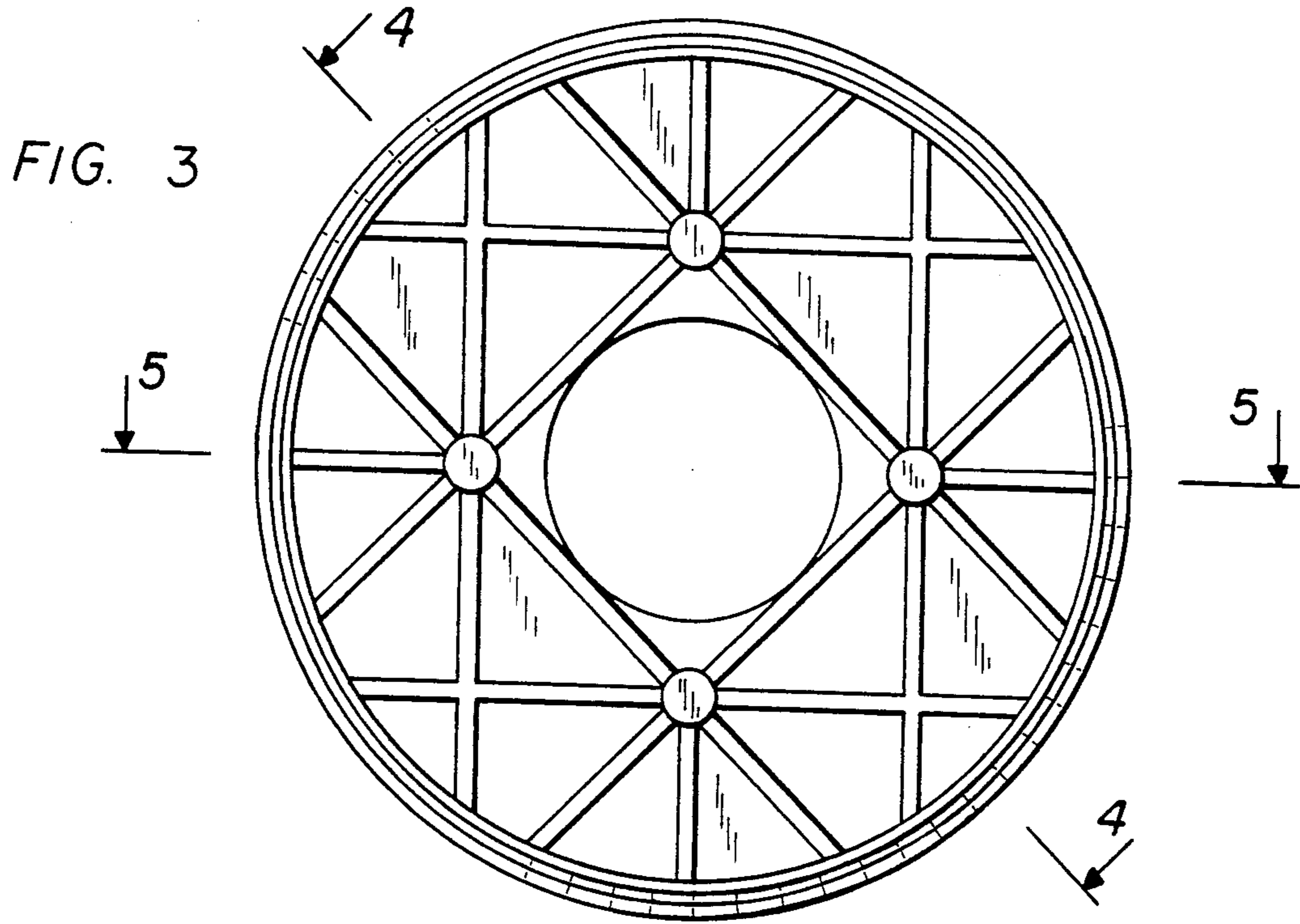


FIG. 4

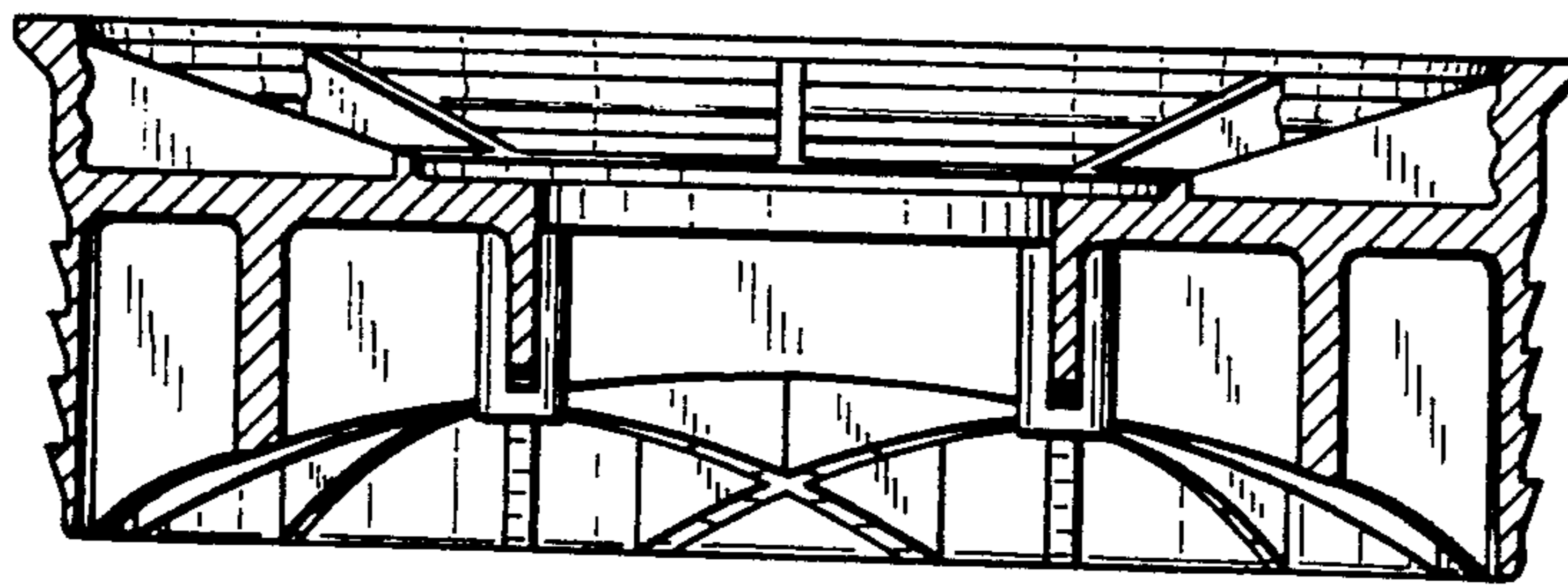


FIG. 5

