

[54] HAND APPARATUS FOR PRESSING OF TEXTILES

[75] Inventor: Lars Erik Gustavsson, Halmstad, Sweden

[73] Assignee: El-Värmeprodukter Jan Lans AB, Halmstad, Sweden

[\*\*] Term: 14 Years

[21] Appl. No.: 676,898

[22] Filed: Apr. 14, 1976

[30] Foreign Application Priority Data  
Oct. 14, 1975 Sweden ..... 2055/75

[51] Int. Cl. .... D7-05

[52] U.S. Cl. .... D7/202

[58] Field of Search ..... D7/202-204,  
D7/161; 38/69, 71, 72, 77.1, 77.8, 88, 90, 93;  
68/222; 219/221, 227, 228, 243, 245

[56] References Cited

U.S. PATENT DOCUMENTS

D. 230,458	2/1974	Hall et al. ....	D7/203
2,398,302	4/1946	Getgey .....	38/71
2,432,252	12/1947	Ryan .....	38/72
2,727,130	12/1955	Witt .....	38/71
2,748,511	6/1956	Pezza .....	38/71

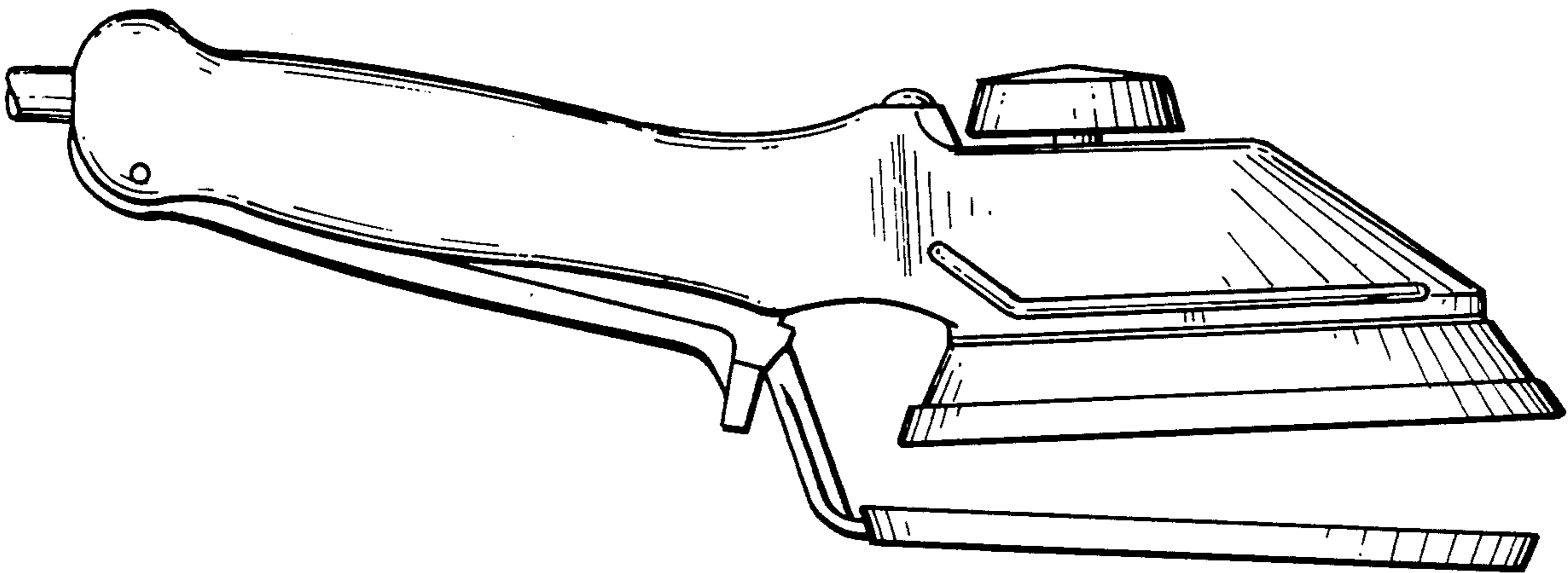
Primary Examiner—Wallace R. Burke  
Assistant Examiner—Catherine Kemper

[57] CLAIM

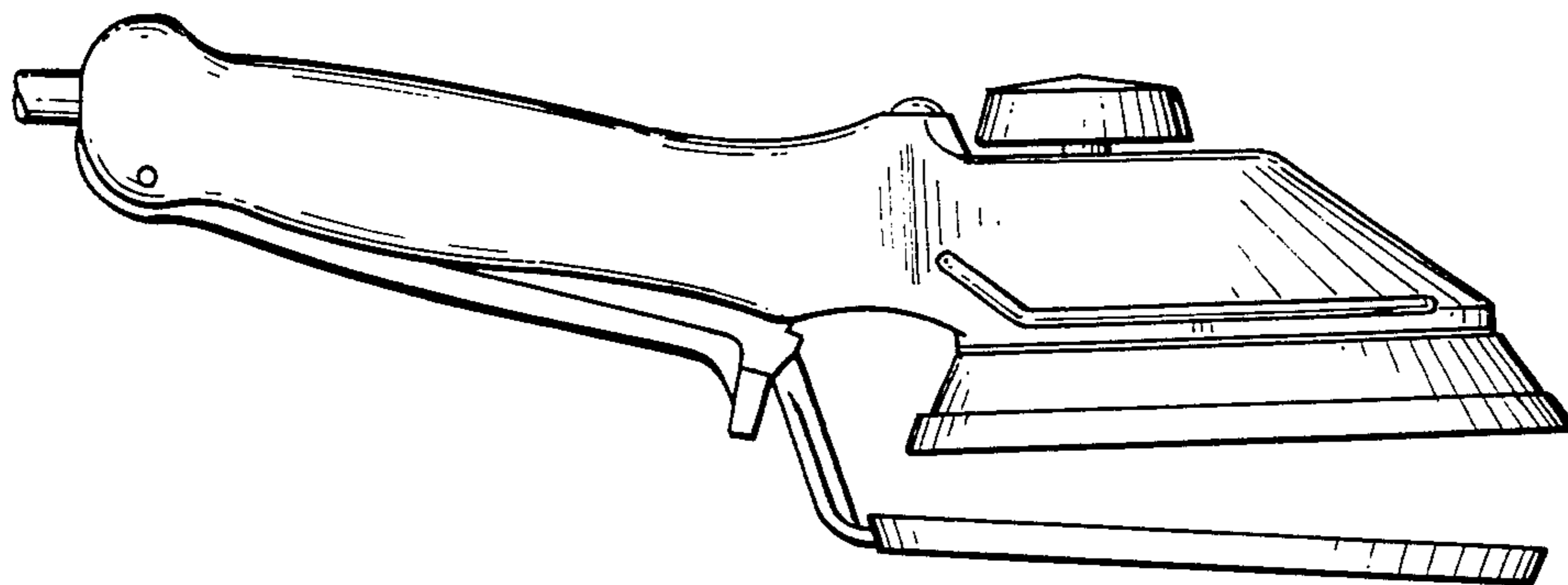
The ornamental design for a hand held apparatus for pressing of textiles, as shown and described.

DESCRIPTION

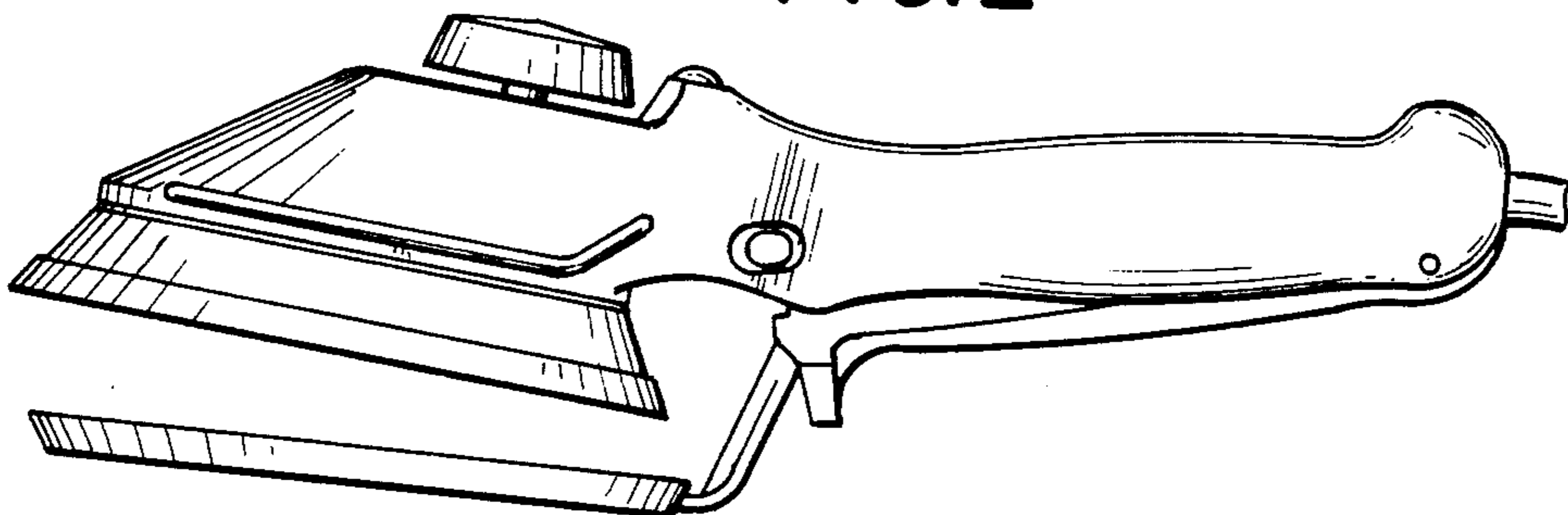
FIG. 1 is a right side view of a hand held apparatus for pressing of textiles showing my new design; FIG. 2 is a left side view thereof; FIG. 3 is a bottom view thereof; FIG. 4 is a top view thereof; FIG. 5 is a right end view thereof; and FIG. 6 is a left end view thereof. The conventional electrical cord has been shown fragmentarily in FIGS. 1, 2, 3, 4 and 6 or convenience of illustration.



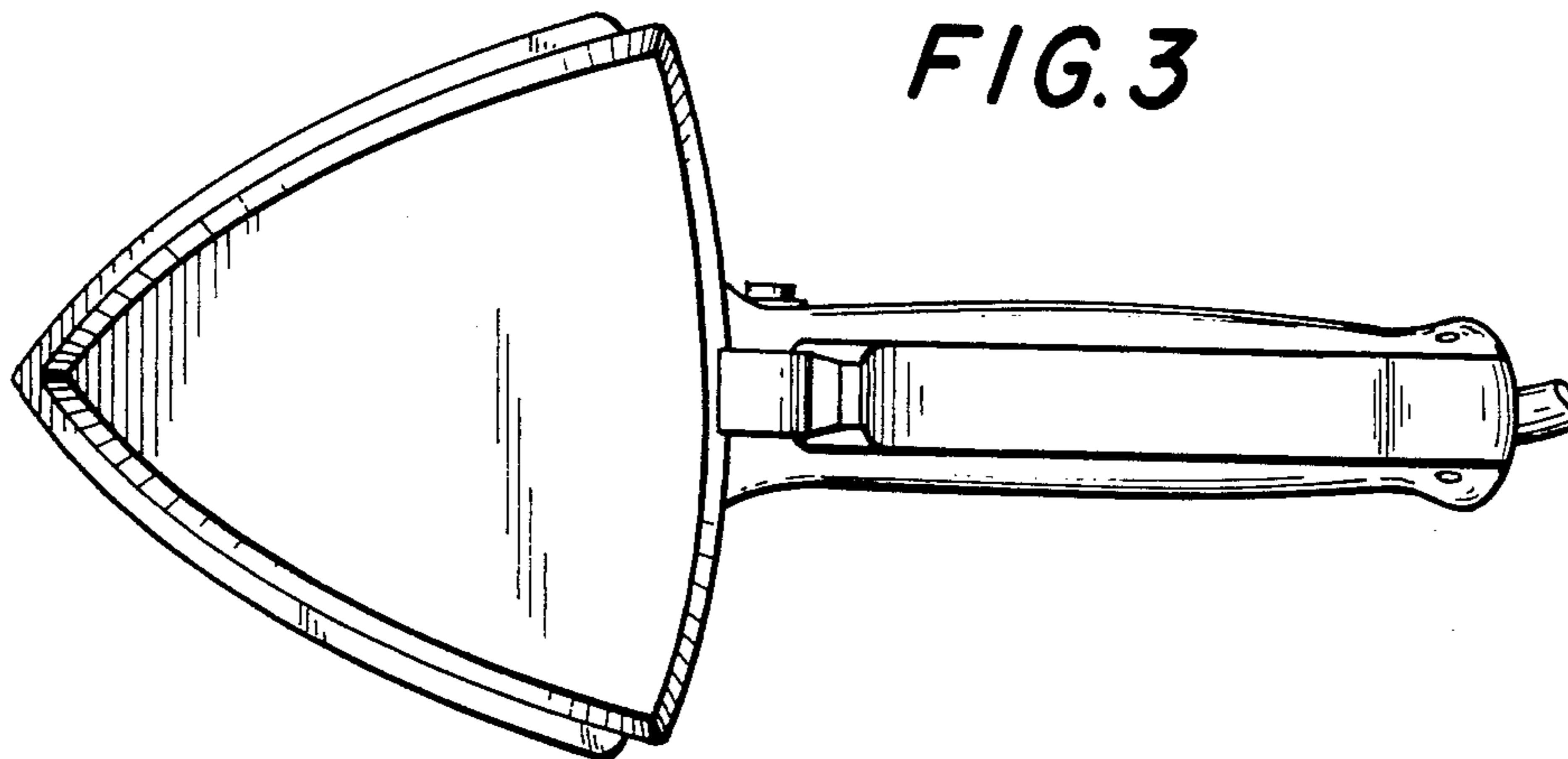
**FIG. 1**

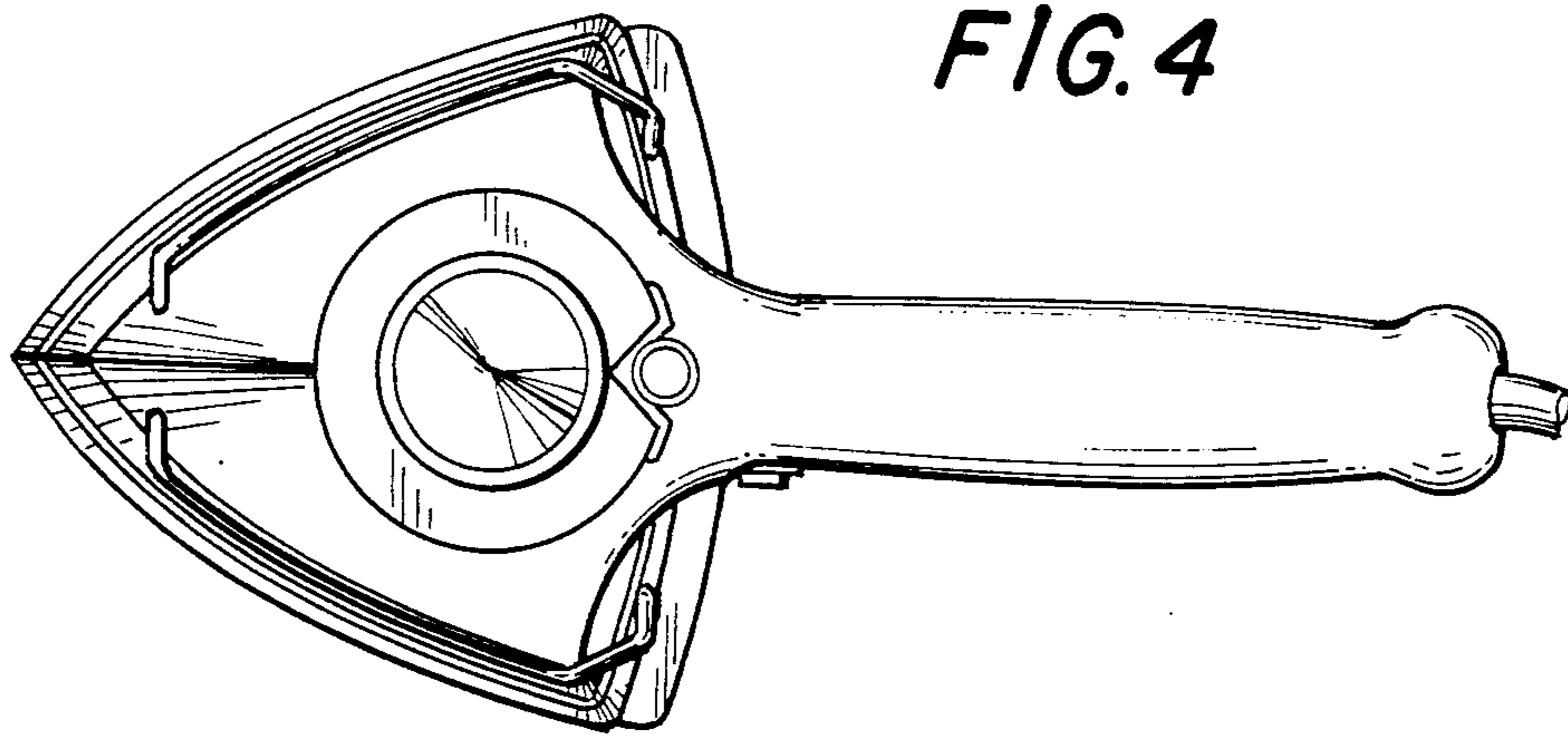


**FIG. 2**

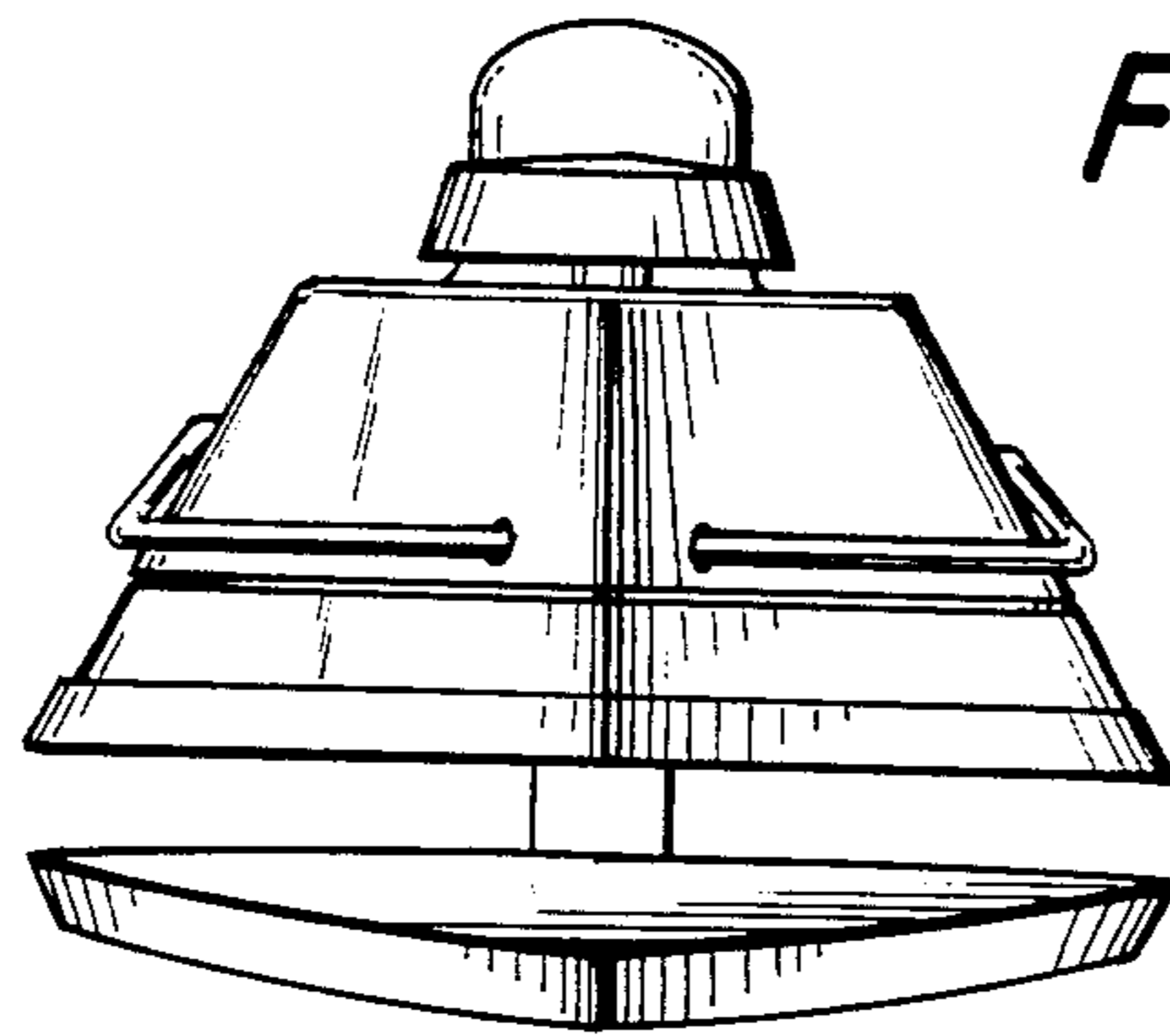


**FIG. 3**

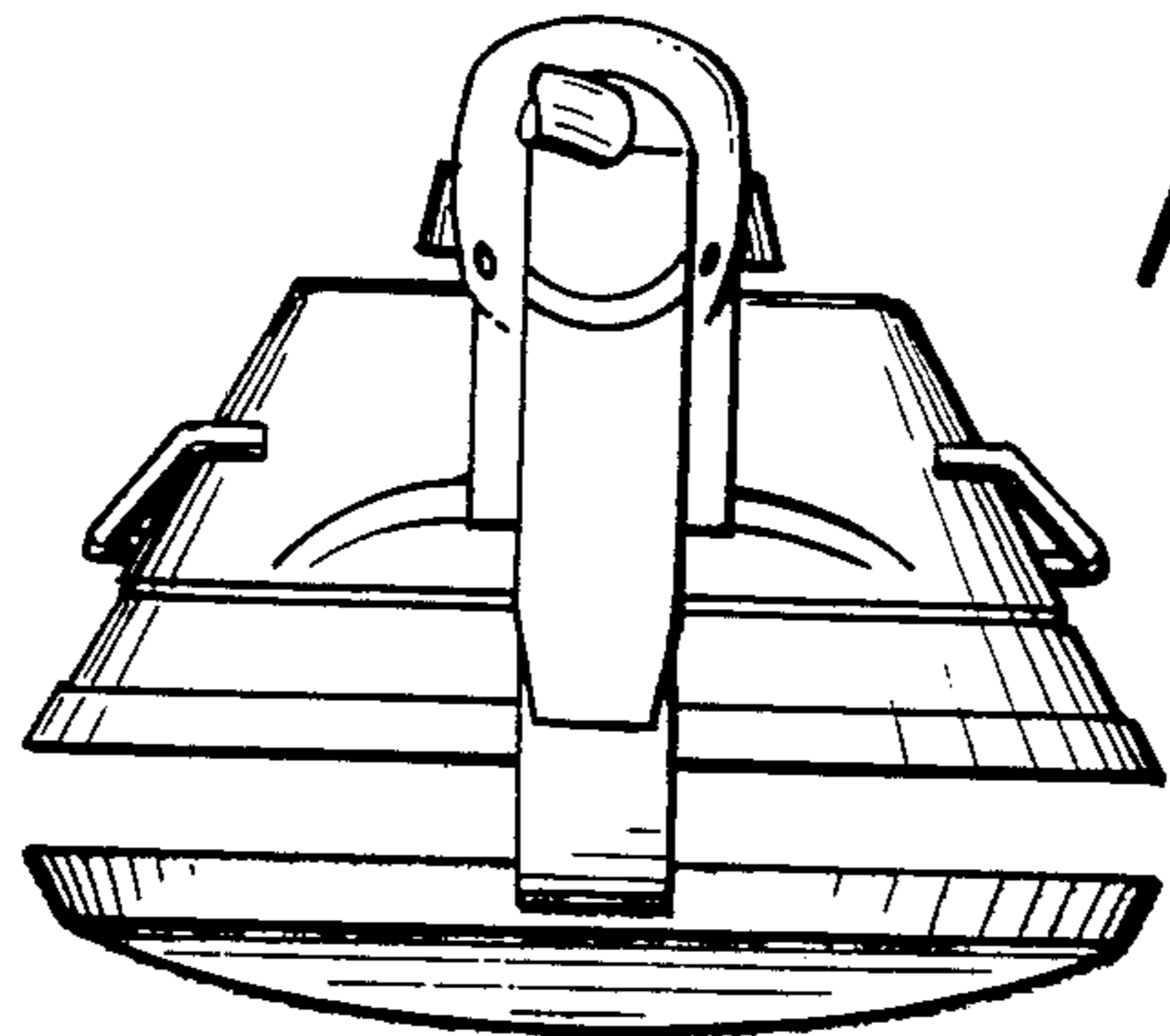




*FIG. 4*



*FIG. 5*



*FIG. 6*