

[54] GLASS CLEANING DEVICE

[76] Inventor: Brian D. Savage, 842 Linbard La., Birmingham, Ala. 35226

[\*\*] Term: 14 Years

[21] Appl. No.: 747,706

[22] Filed: Dec. 6, 1976

[51] Int. Cl. .... D7-05

[52] U.S. Cl. .... D7/179

[58] Field of Search ..... D4/6; D7/178, 179, 180, D7/181, 183, 184; 15/104 R, 105, 106, 111, 114, 117, 159 R, 160, 164, 209 R, 210 R, 211, 236 R, 244, 245

[56] References Cited

U.S. PATENT DOCUMENTS

D. 235,411 6/1975 Savage ..... D7/179

Primary Examiner—Wallace R. Burke

Assistant Examiner—Catherine Kemper

Attorney, Agent, or Firm—Woodford R. Thompson, Jr.

[57] CLAIM

The ornamental design for a glass cleaning device, as shown.

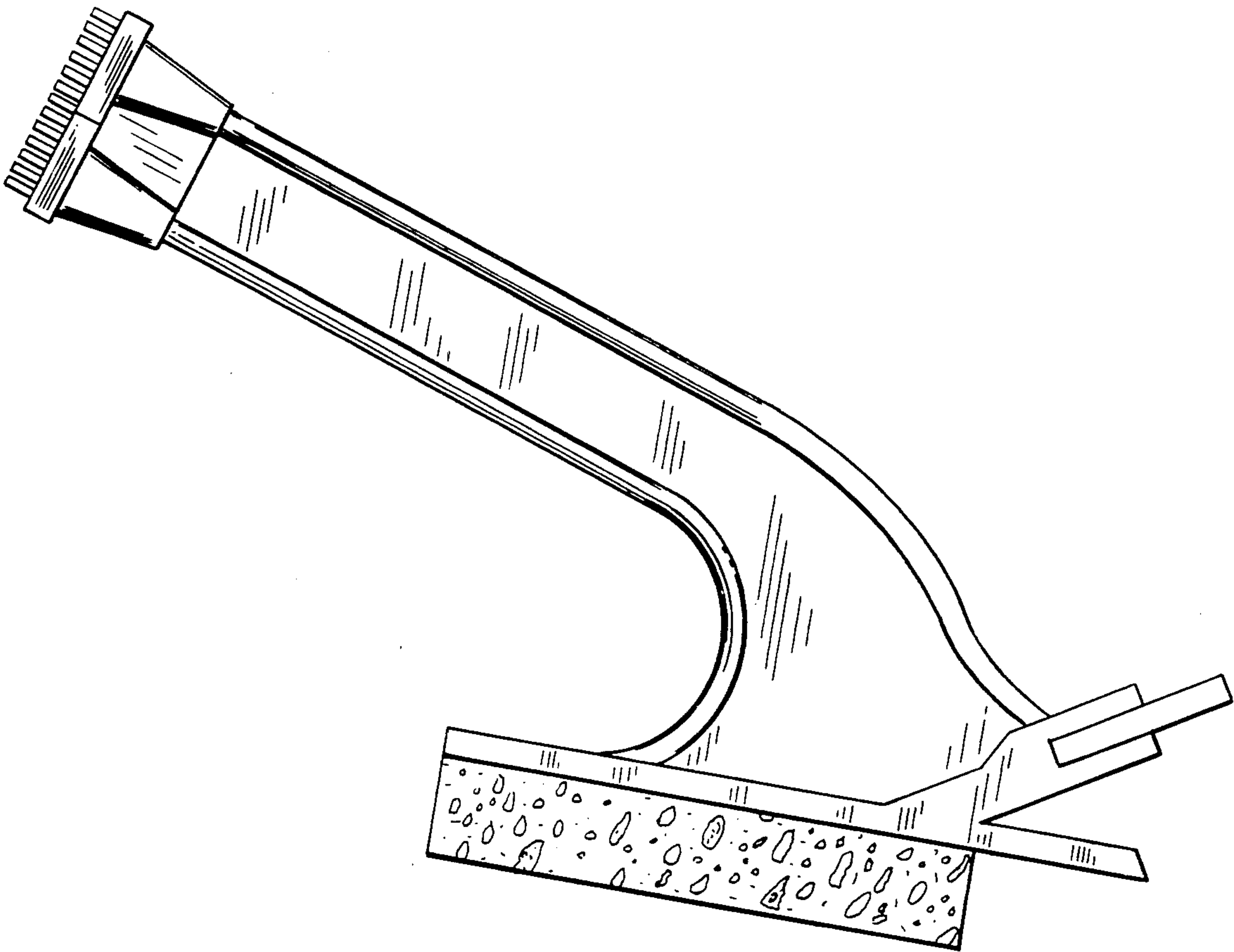
DESCRIPTION

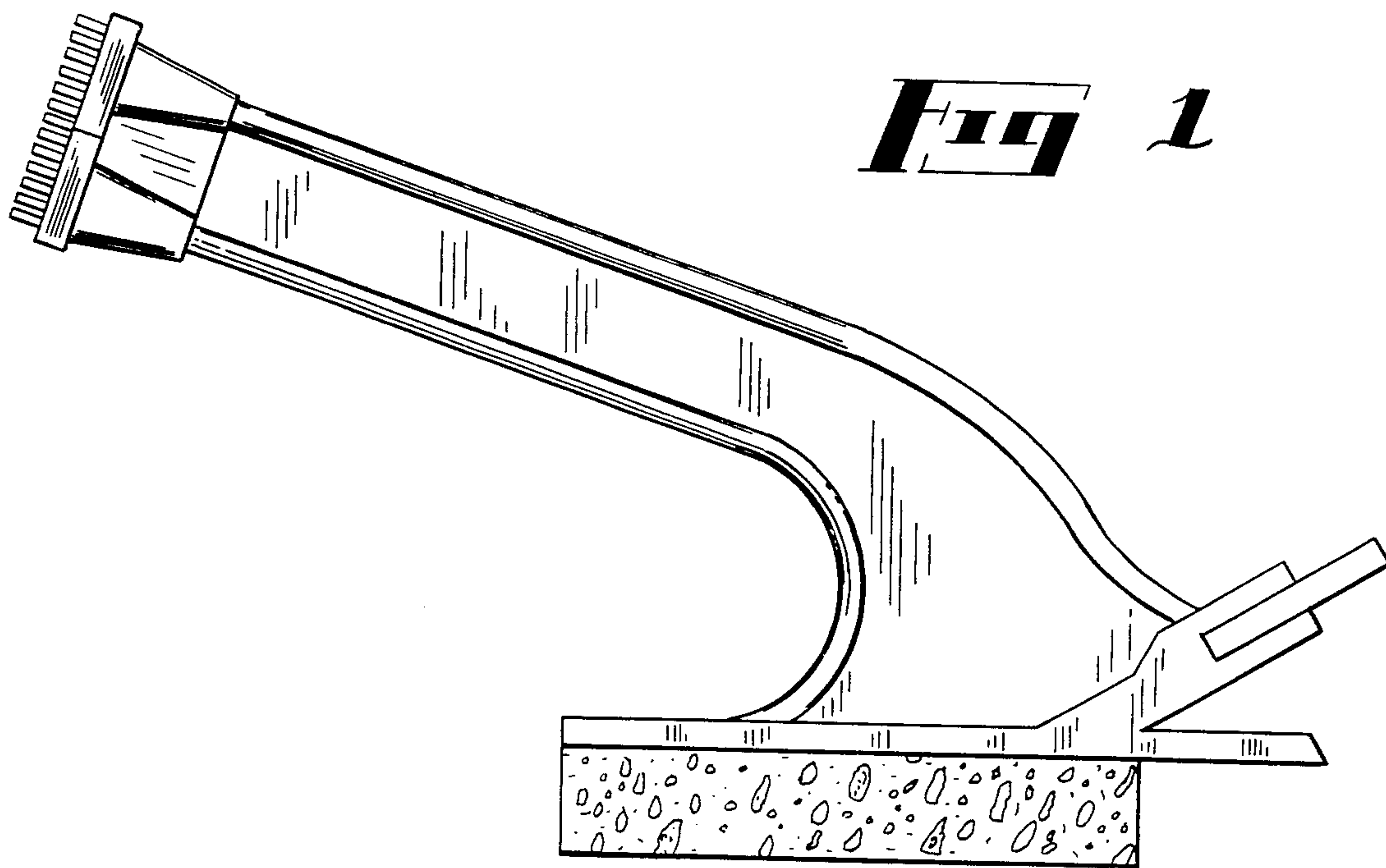
FIG. 1 is a side elevational view of a glass cleaning device showing my new design;

FIG. 2 is a top plan view thereof;

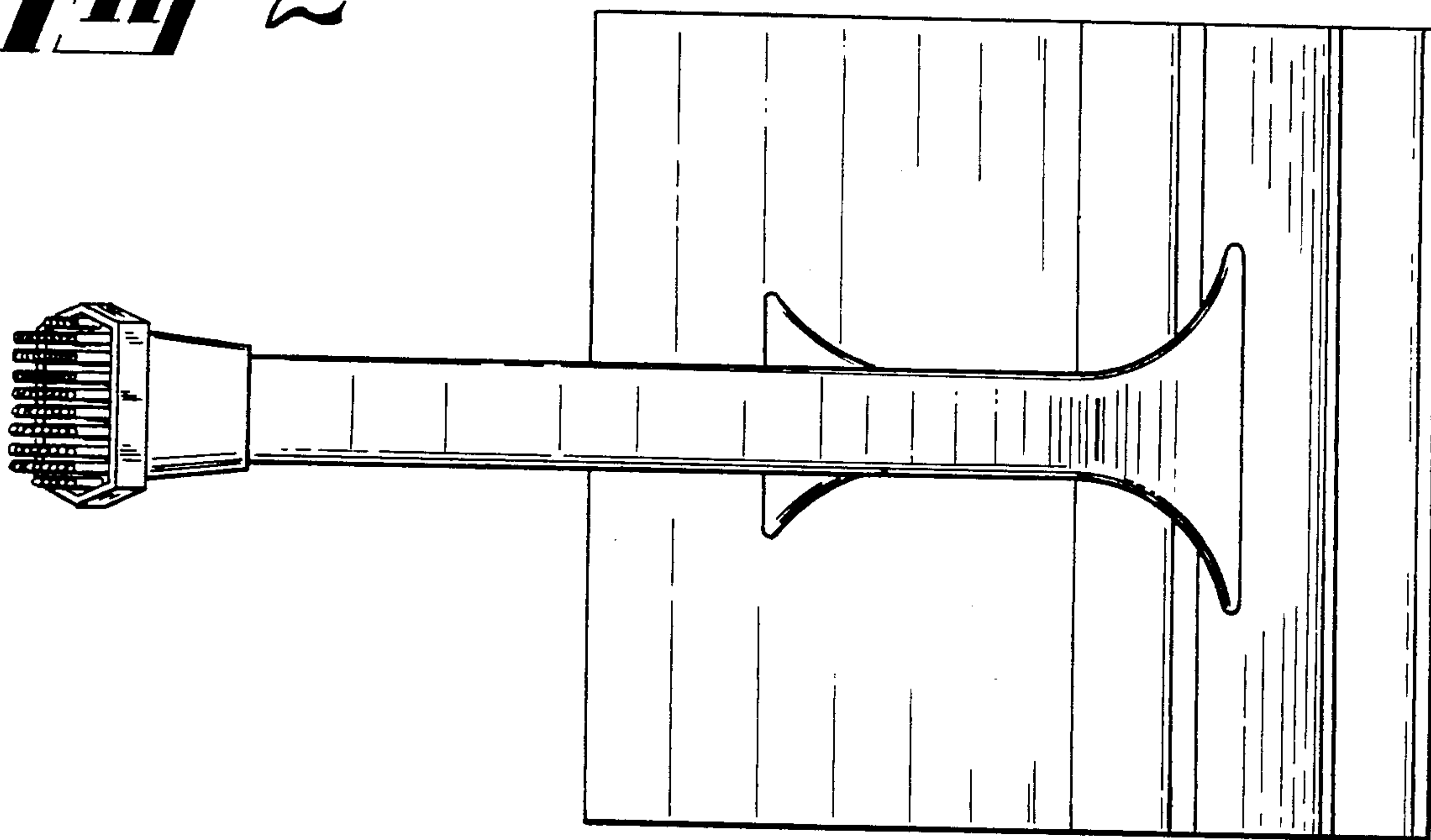
FIG. 3 is a side elevational view thereof; and

FIG. 4 is an elevational view of the opposite side thereof from the side shown in FIG. 3.

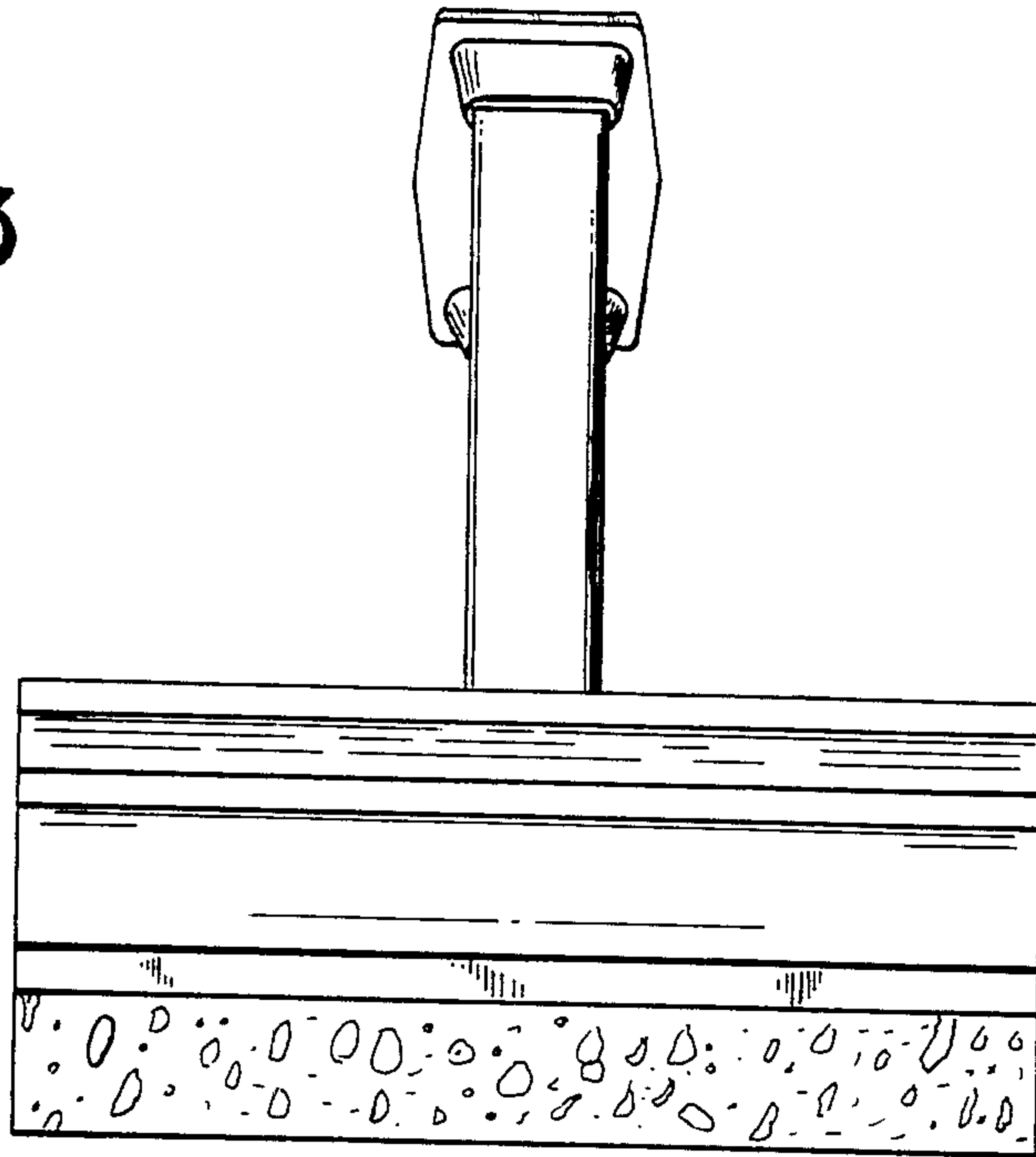




**Fig 2**



**Fig 3**



**Fig 4**

