

[54] COOKING UTENSIL

[75] Inventor: Tetsuro Mizoguchi, Fort Lee, N.J.

[73] Assignee: Sanyei Corporation, Tokyo, Japan

[**] Term: 14 Years

[21] Appl. No.: 704,303

[22] Filed: Jul. 12, 1976

Related U.S. Application Data

[63] Continuation-in-part of Ser. No. 677,568, Apr. 16, 1976.

[51] Int. Cl. D7-02

[52] U.S. Cl. D7/94

[58] Field of Search D7/85, 86, 87, 88, 89,
D7/91, 92, 94, 95, 96, 97, 41, 136; 99/372, 374,
380, 426; 219/524, 525

[56]

References Cited

U.S. PATENT DOCUMENTS

D. 194,336	1/1963	Cornwell	D7/94
D. 240,993	8/1976	Levin	D7/94
3,963,898	6/1976	Tuckwell	99/378 X

Primary Examiner—Winifred E. Herrmann
Attorney, Agent, or Firm—Sidney G. Faber

[57]

CLAIM

The ornamental design for a cooking utensil, as shown and described.

DESCRIPTION

FIG. 1 is a top perspective view of a cooking utensil showing my new design;
FIG. 2 is a bottom perspective view thereof;
FIG. 3 is a front elevation view thereof;
FIG. 4 is a rear elevation view thereof; and
FIG. 5 is a side elevation view thereof, the side opposite being substantially similar, as shown in FIG. 1.

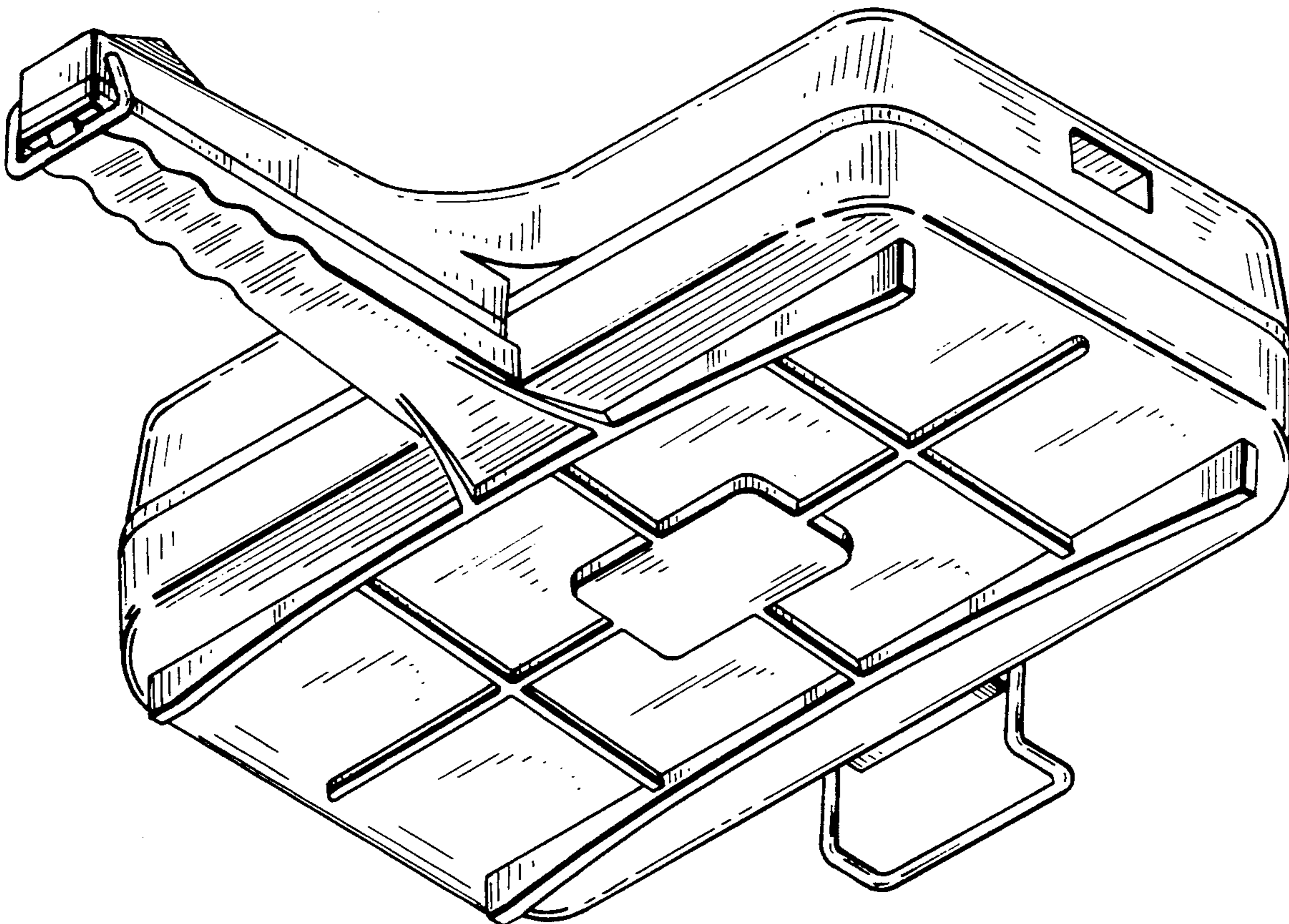


FIG. 1.

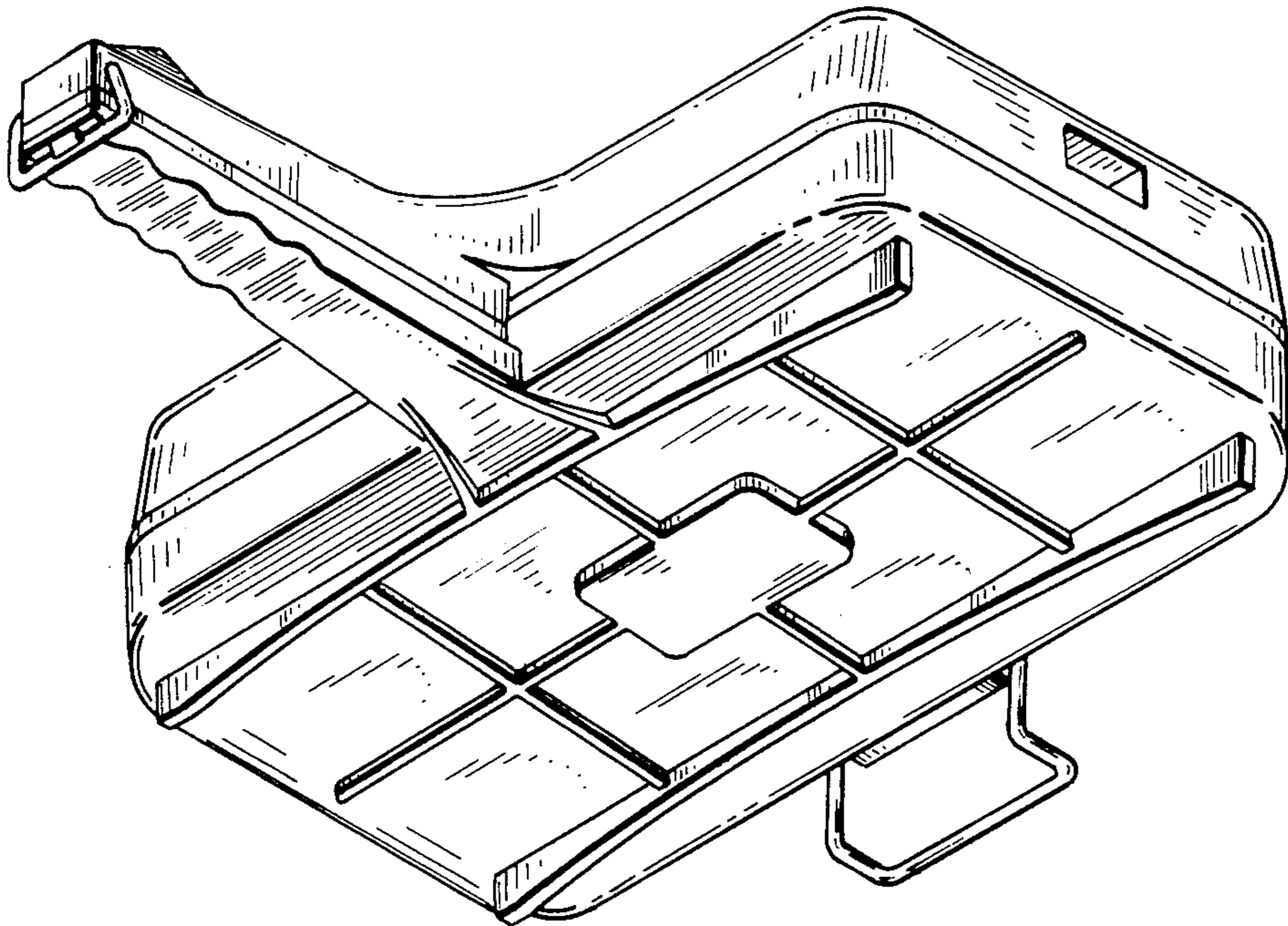
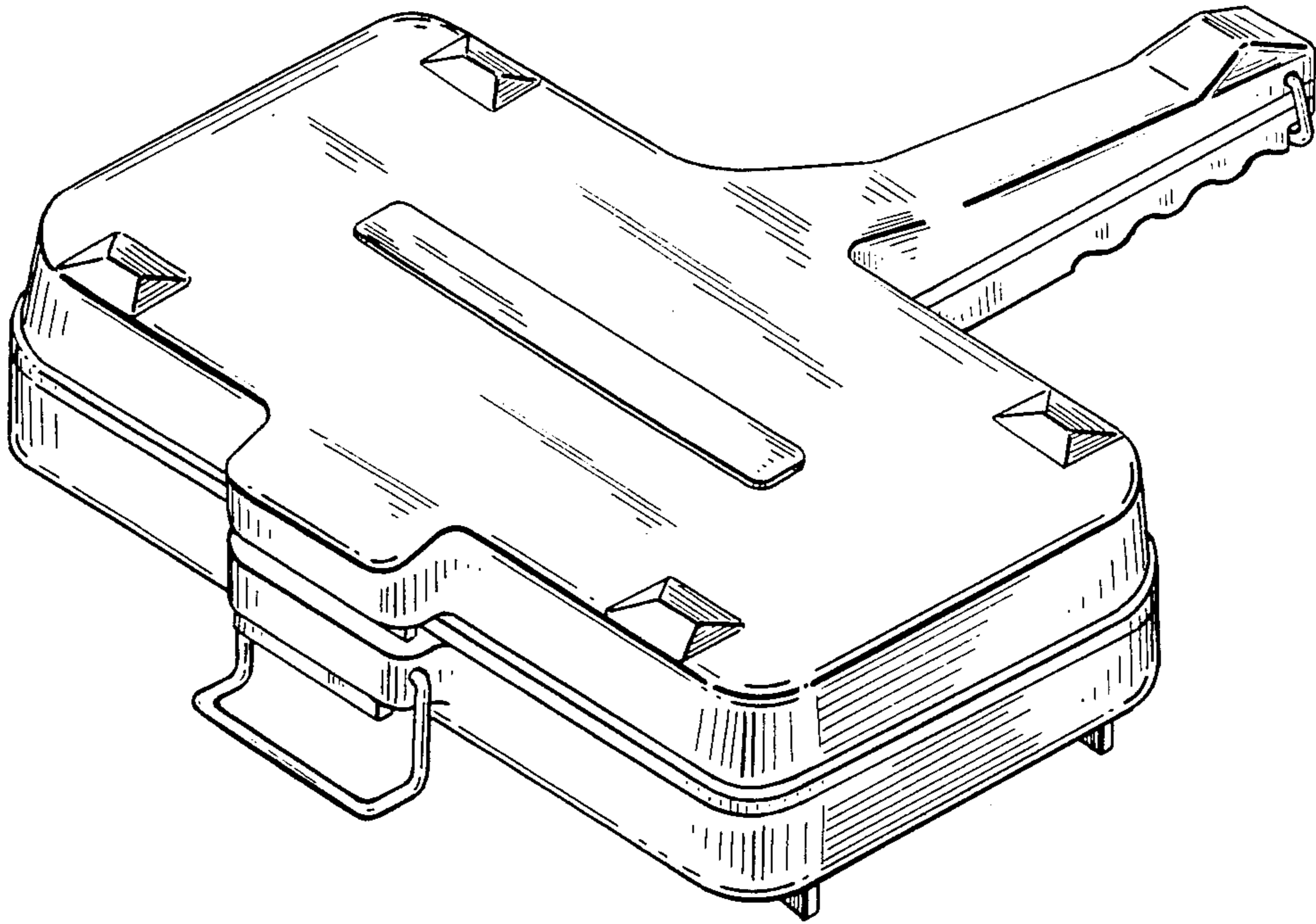


FIG. 2.

FIG. 3.

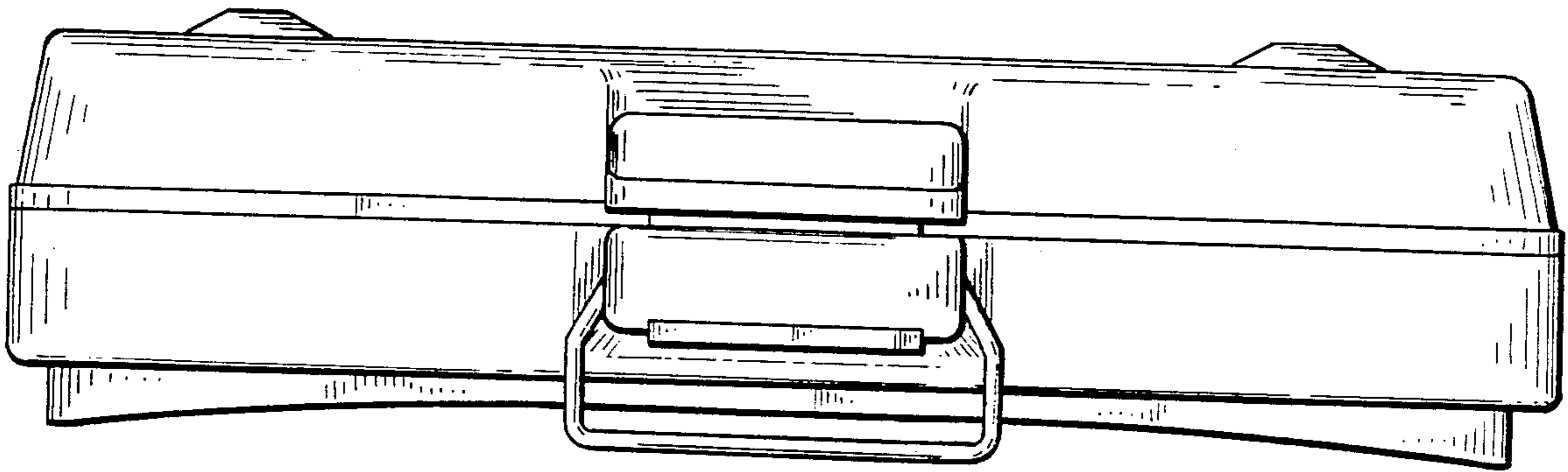


FIG. 4.

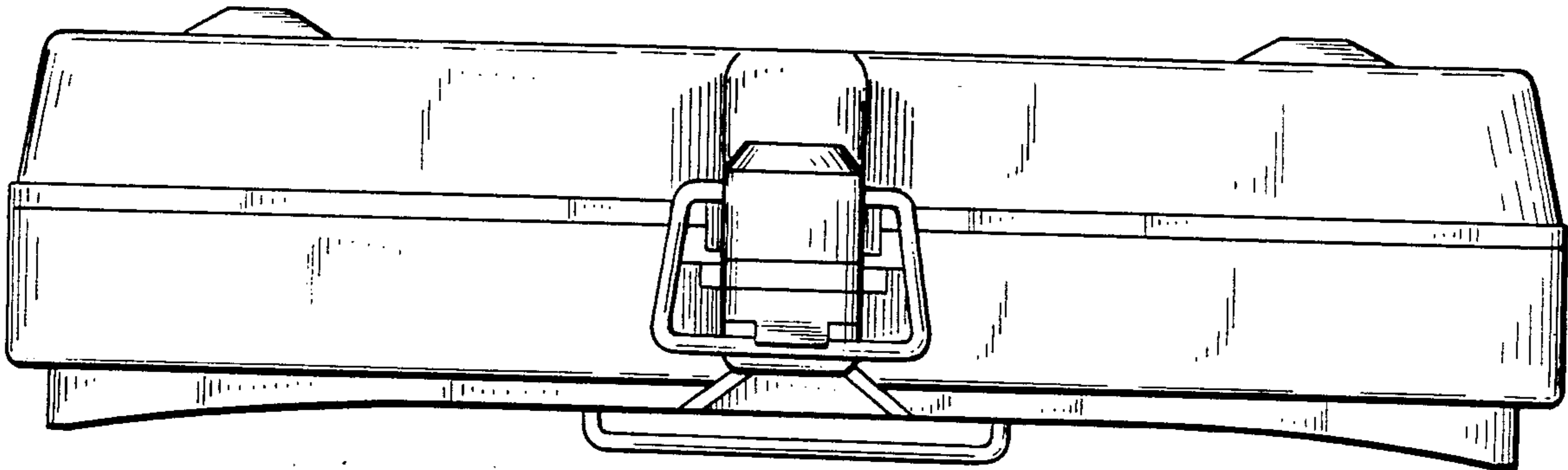


FIG. 5.

