

[54] COMBINED HOLDER FOR SKIS, SKI POLES AND SKI BOOTS

[76] Inventor: Arthur E. Alexandre, 26292 Papagayo, Mission Viejo, Calif. 92675

[**] Term: 14 Years

[21] Appl. No.: 682,112

[22] Filed: Apr. 30, 1976

[51] Int. Cl. D6-04

[52] U.S. Cl. D6/125

[58] Field of Search D6/85, 88, 113, 114, D6/116-118, 120, 122, 123, 125, 127, 129, 130, 132, 137; 211/13, 40, 60 R, 60 SK, 87

[56] References Cited

U.S. PATENT DOCUMENTS

D. 206,126 11/1966 Wettcran D6/85

D. 232,886	9/1974	Borraccio	D6/114
2,562,178	7/1951	Djos	211/60 SK
3,272,413	9/1966	Pfleider	211/60 SK
3,330,573	7/1967	Sieloff	211/60 SK

Primary Examiner—Wallace R. Burke
Assistant Examiner—B. J. Bullock
Attorney, Agent, or Firm—Ben E. Lofstedt

[57] CLAIM

The ornamental design for a combined holder for skis, ski poles, and ski boots, substantially as shown and described.

DESCRIPTION

FIG. 1 is a reduced perspective view of a combined holder for skis, ski poles, and ski boots showing my new design;

FIG. 2 is a top plan view thereof;

FIG. 3 is a side elevational view thereof as seen in the direction of line 3—3 of FIG. 2. The rear of the holder is flat and unornamented.

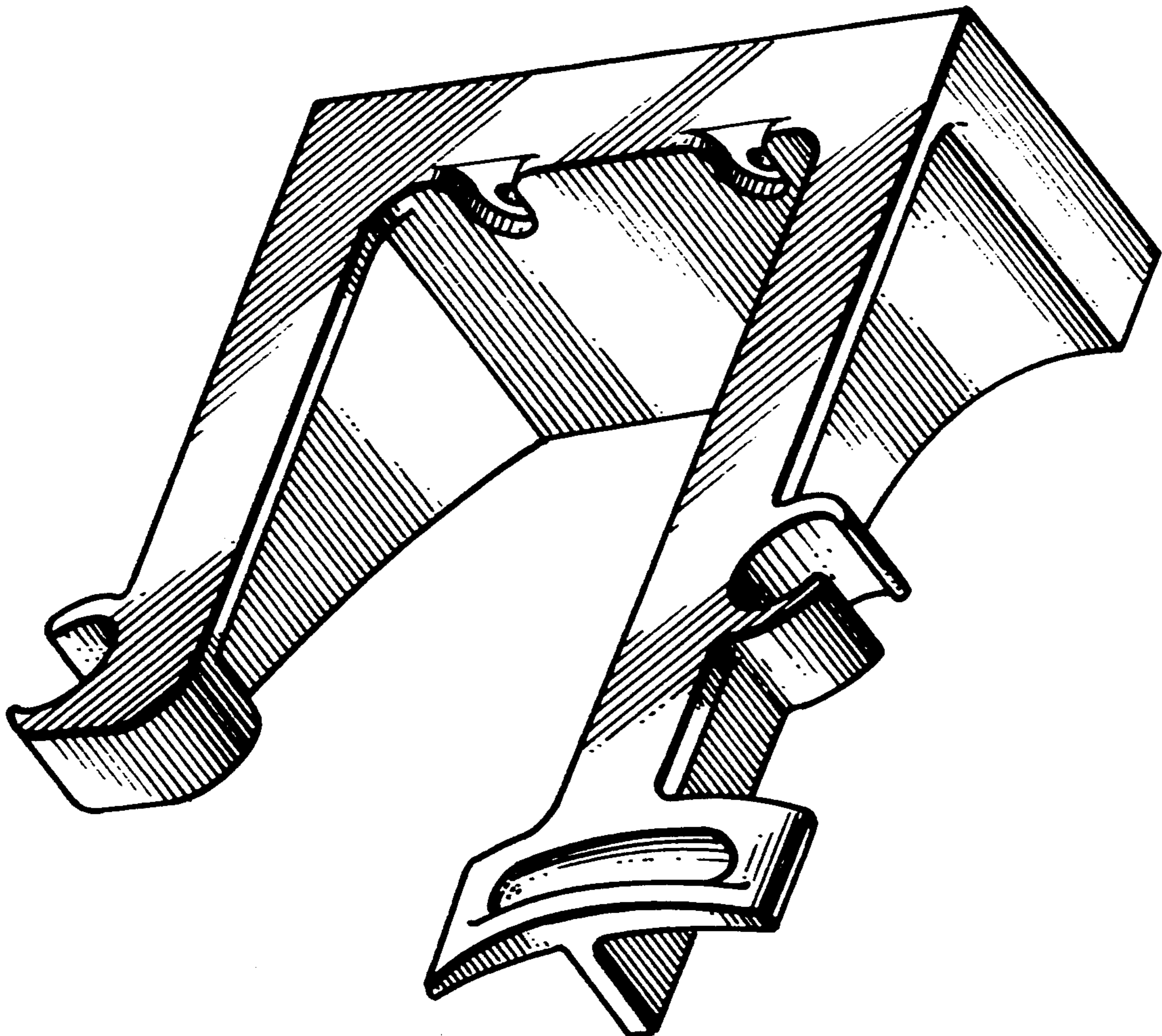


FIG. 1.

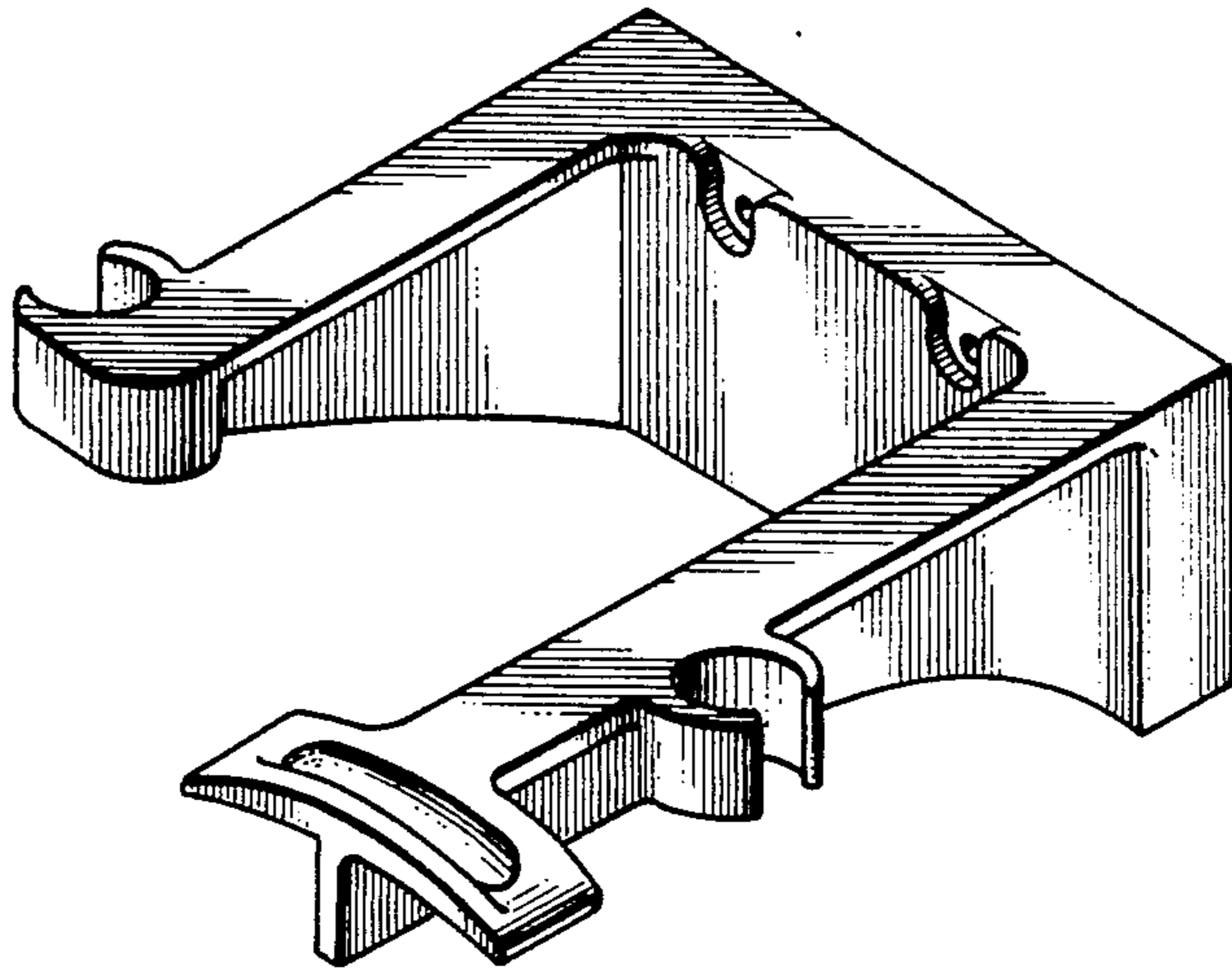


FIG. 2.

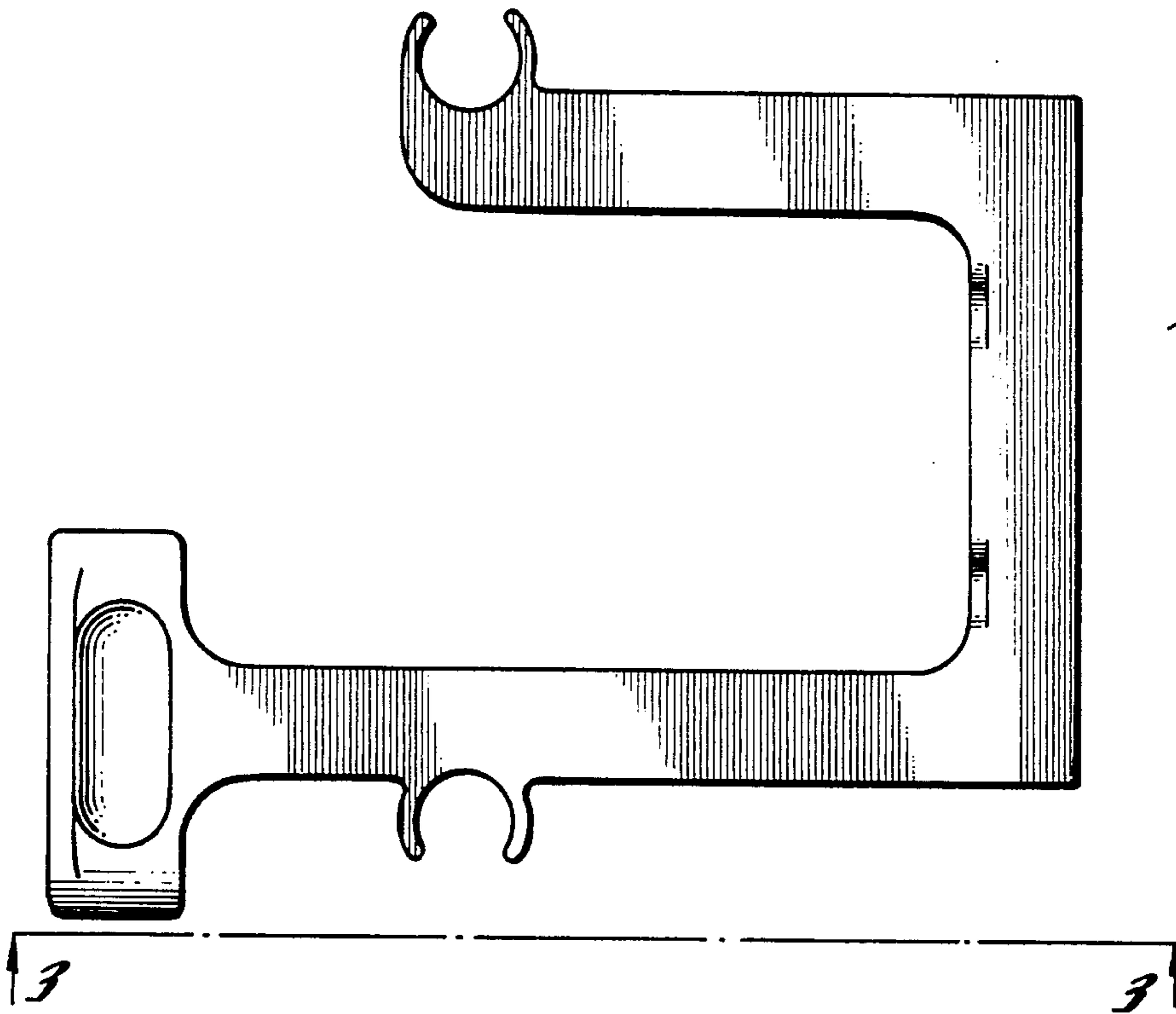


FIG. 3.

