

[54] CONTAINER SUPPORT

[76] Inventor: Lois A. Noyes, 7831 Paso Robles Ave., Van Nuys, Calif. 91406

[**] Term: 14 Years

[21] Appl. No.: 668,978

[22] Filed: Mar. 22, 1976

[51] Int. Cl. D6-04

[52] U.S. Cl. D6/113

[58] Field of Search D6/85, 113, 114; D7/71; 211/74, 113, 87

[56] References Cited

U.S. PATENT DOCUMENTS

D. 192,677 5/1962 Schaefer D6/191

D. 203,057	11/1965	Diesinger	D6/113
D. 205,152	6/1966	Lockhart	D6/113
2,531,562	11/1950	Eve	D7/71
2,557,801	6/1951	Shapiro	211/113
3,211,290	10/1965	Strickling	D7/71

Primary Examiner—Wallace R. Burke
Assistant Examiner—B. J. Bullock
Attorney, Agent, or Firm—William W. Haefliger

[57] CLAIM

The ornamental design for a container support, substantially as shown and described.

DESCRIPTION

FIG. 1 is a bottom perspective view of the container support showing my new design;
FIG. 2 is a top perspective view thereof.

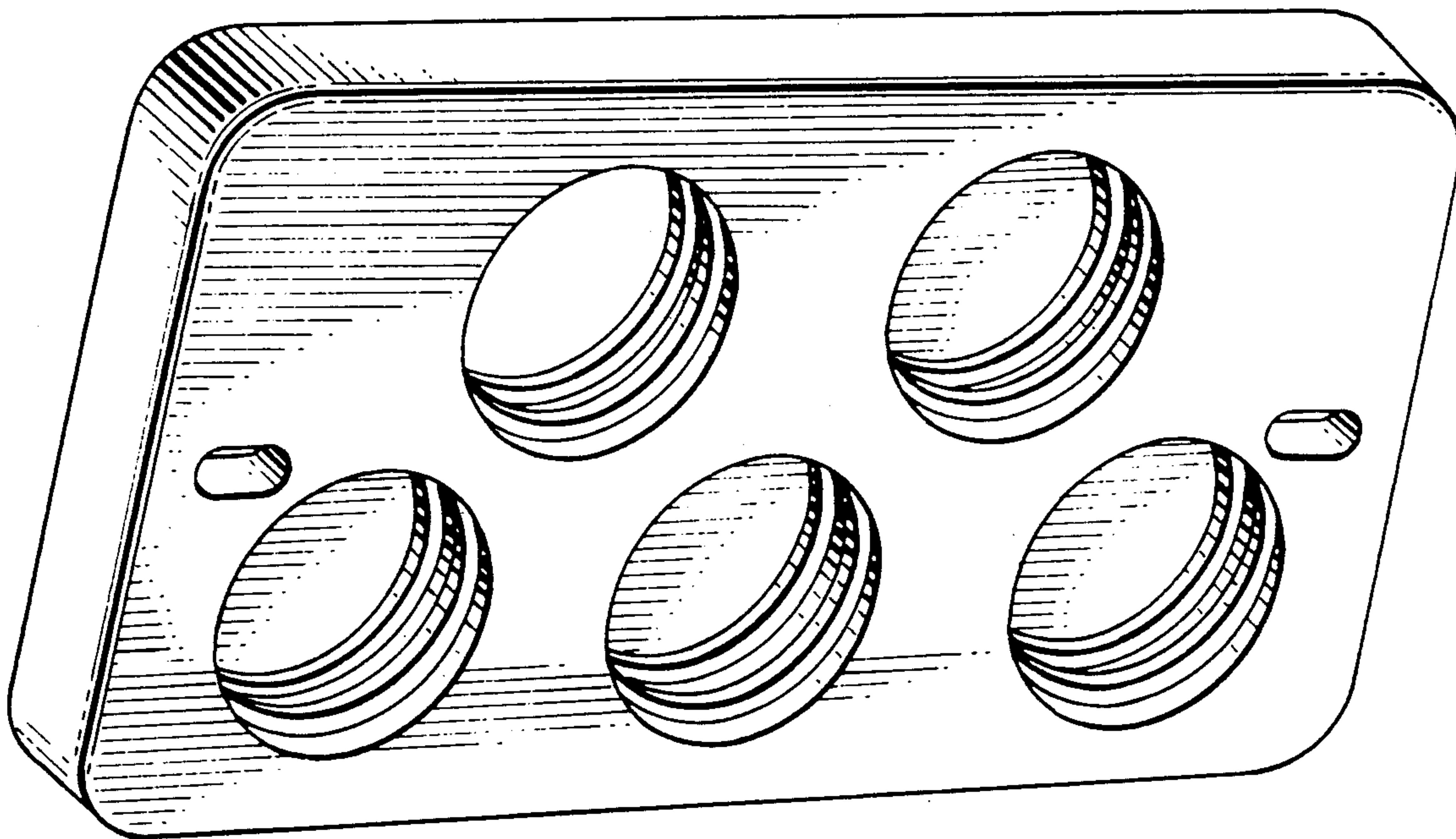


FIG. 1.

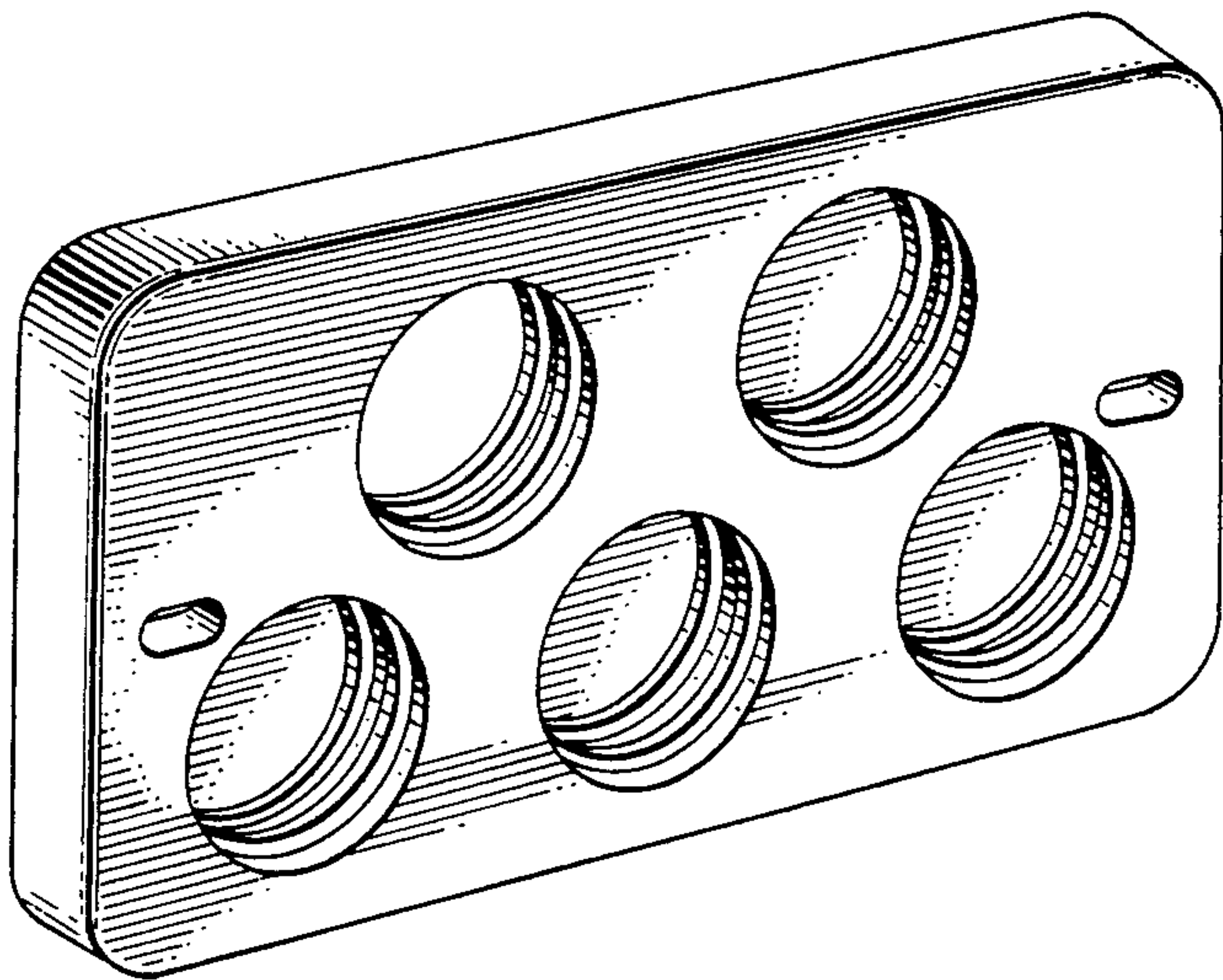


FIG. 2.

