

[54] **COMBINED BENCH AND CABINET FOR HOUSING A SWIMMING POOL COVER MECHANISM**

[76] Inventor: **Joe H. Lamb**, 3500 Hillside La., Salt Lake City, Utah 84109

[**] Term: **14 Years**

[21] Appl. No.: **702,736**

[22] Filed: **Jul. 6, 1976**

[51] Int. Cl. **D6—05**

[52] U.S. Cl. **D6/4**

[58] Field of Search **D6/1, 4, 47, 58, 60, D6/61, 62, 63, 67, 70, 76**

[56] **References Cited**

U.S. PATENT DOCUMENTS

D. 244,076 4/1977 Saltz D6/177

OTHER PUBLICATIONS

Interiors, 9-1973, p. 125, Credenza top center by G. W. Furniture.

"Glenn Residential," Cat. p. O6, Commode bottom right.

Primary Examiner—Bruce W. Dunkins
Attorney, Agent, or Firm—Richard F. Bojanowski

[57] **CLAIM**

The ornamental design for the combined bench and cabinet for housing a swimming pool cover mechanism, as shown and described.

DESCRIPTION

In the drawings:

FIG. 1 is a front perspective view showing a new design for a combined bench and cabinet for housing a swimming pool cover mechanism,

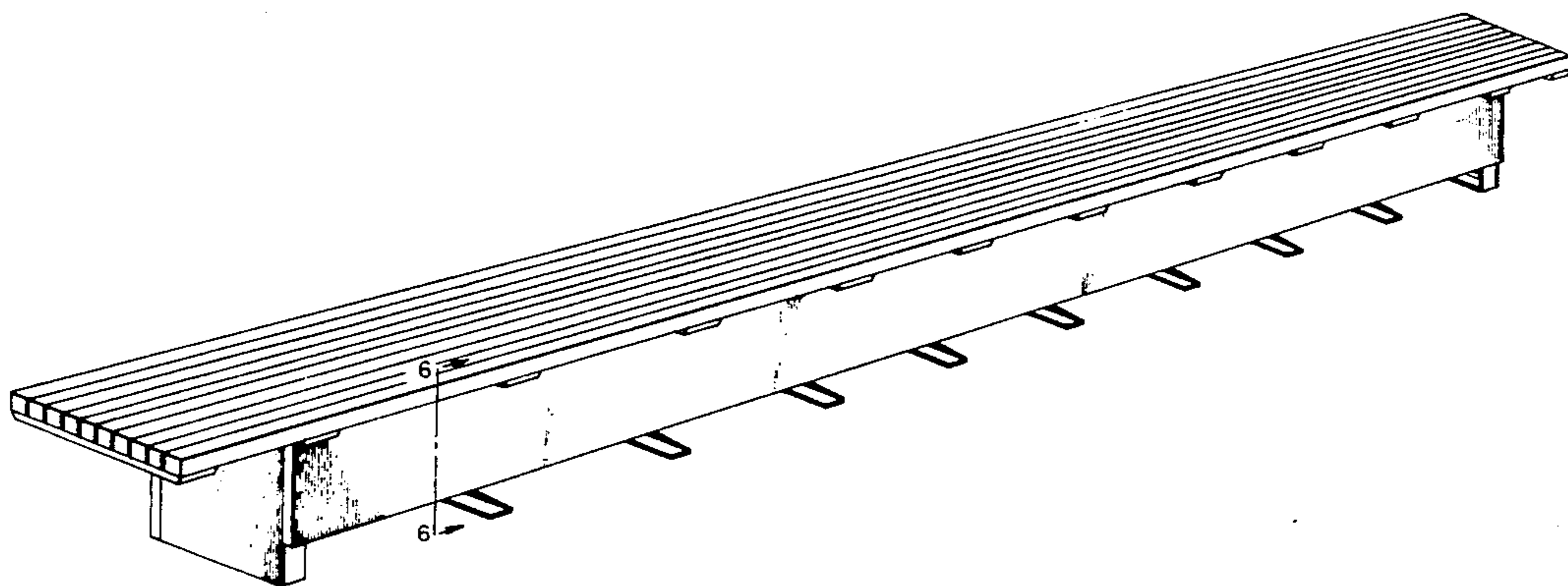
FIG. 2 is a side elevation of the combined bench and cabinet shown in FIG. 1,

FIG. 3 is an enlarged top plan view of the combined bench and cabinet shown in FIG. 1 with a central portion being cut away for reasons of clarity,

FIG. 4 is a front elevation of the combined bench and cabinet shown in FIG. 1 with the central repeating portion cut away for reasons of clarity,

FIG. 5 is an enlarged fragmentary rear view showing one end of the combined bench and cabinet for housing a swimming pool cover mechanism,

FIG. 6 is a cross sectional view of the combined bench and cabinet of FIG. 1 taken along line 6—6.



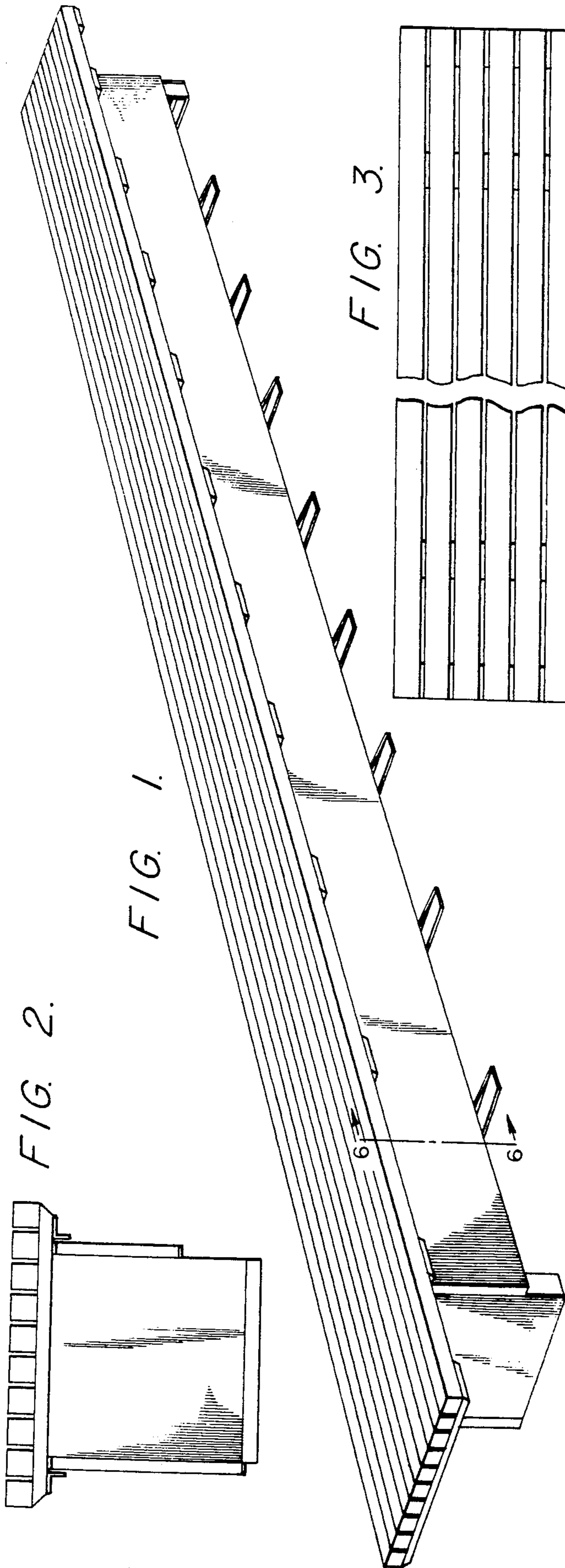


FIG. 3.

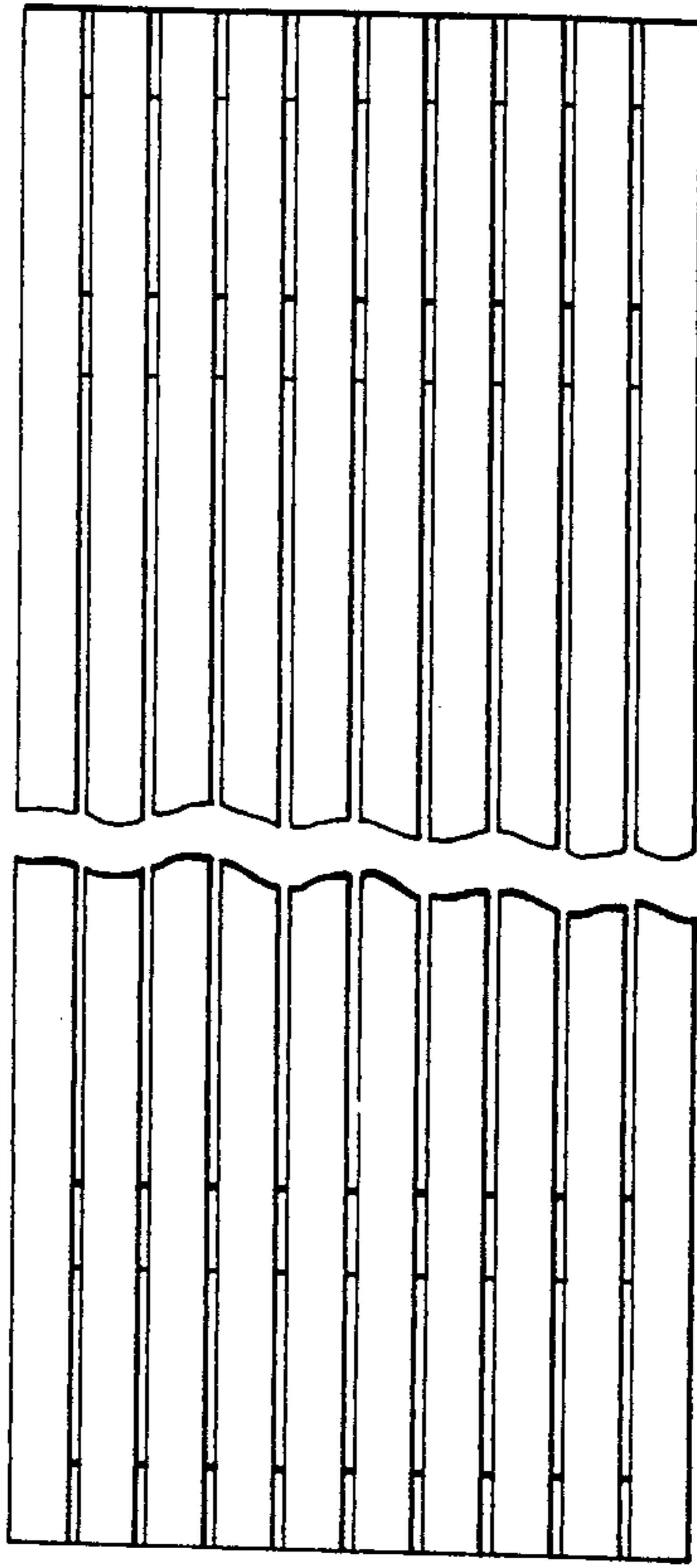


FIG. 4.

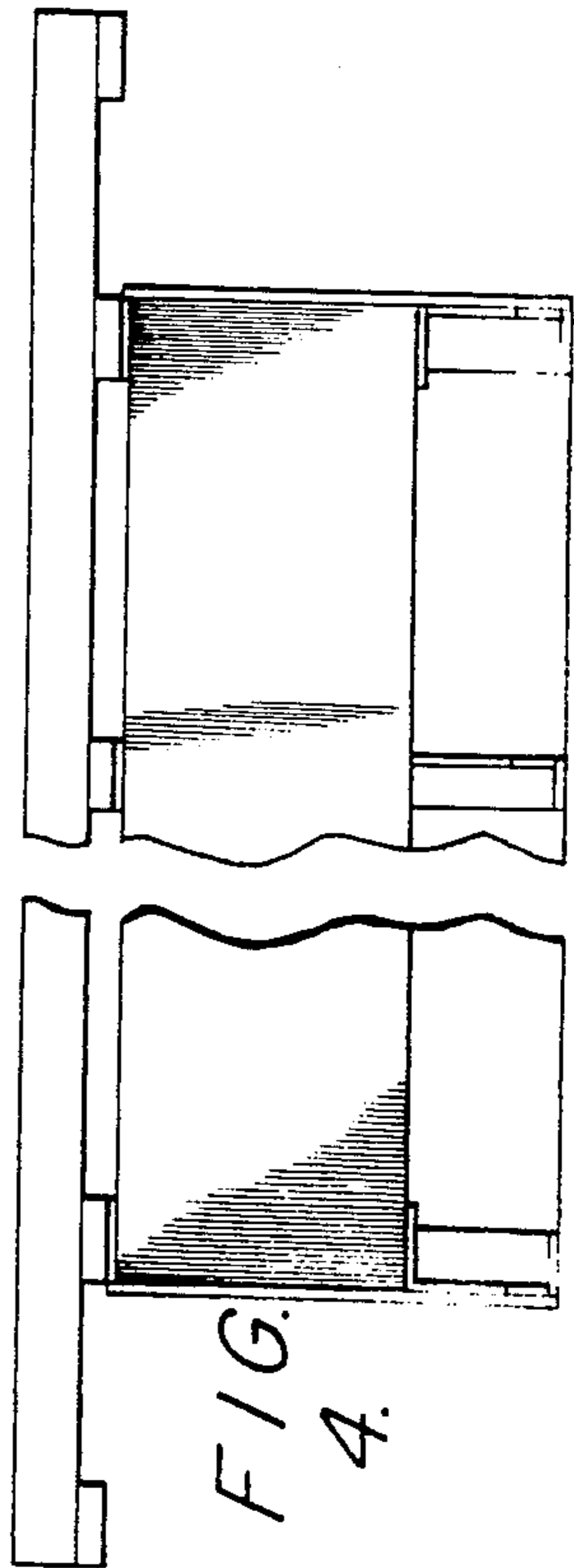


FIG. 5.

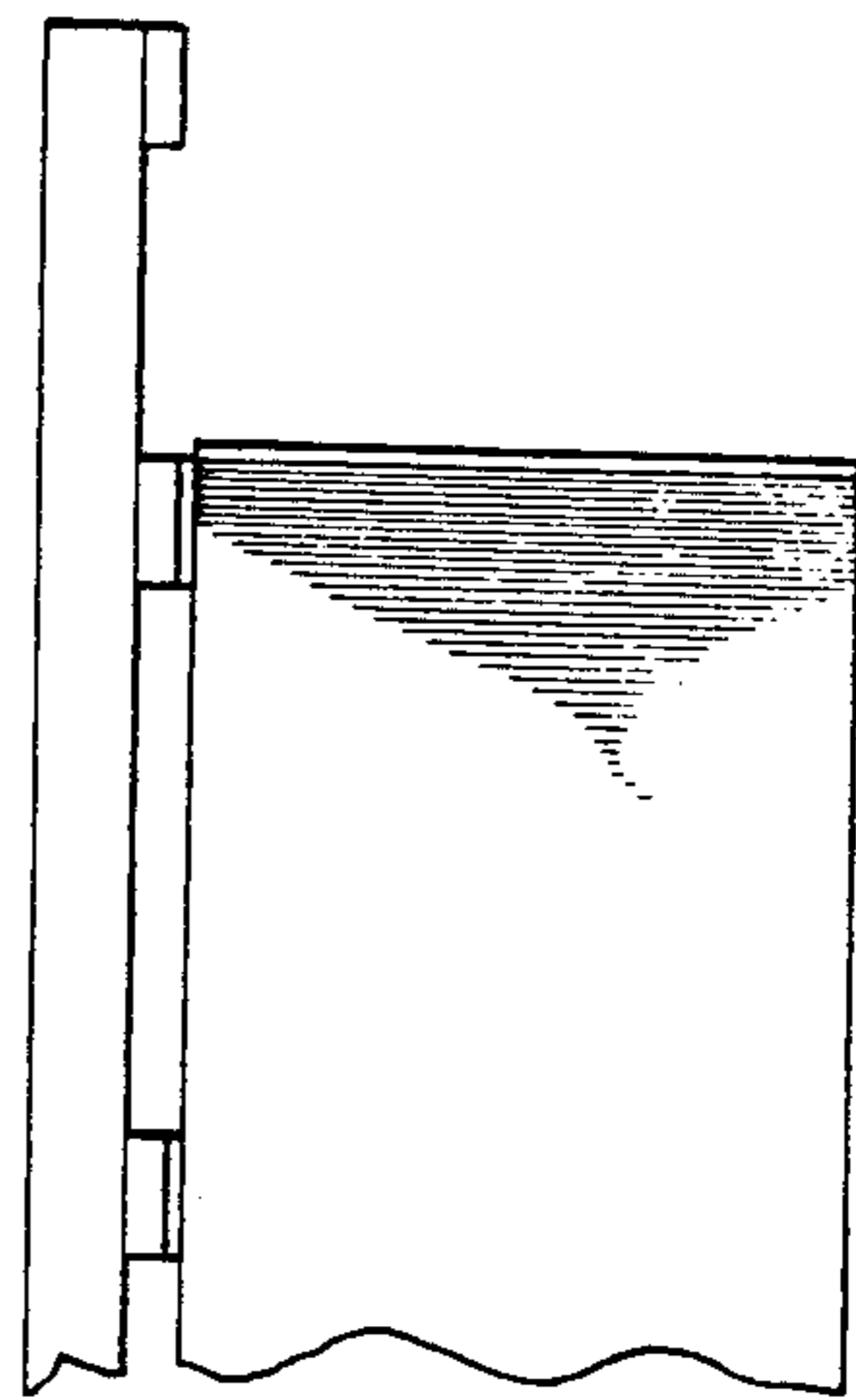


FIG. 6.

