

[54] ETCHING DEVICE FOR OFFSET PRINTING MACHINE

[75] Inventors: Masakazu Sakamoto; Takeshi Shohoji, both of Fukuyama, Japan

[73] Assignee: Ryobi Ltd., Fuchu, Japan

[**] Term: 14 Years

[21] Appl. No.: 680,399

[22] Filed: Apr. 26, 1976

[30] Foreign Application Priority Data
Nov. 6, 1975 Japan 50/44153

[51] Int. Cl. D18-99

[52] U.S. Cl. D64/11 R

[58] Field of Search D64/11 R, 11 A, 11 B, D64/11 C; D14/50; 197/186 R; D6/26, 27, 138, 139; 101/44, 232, 279, DIG. 18, 19

[56]

References Cited

U.S. PATENT DOCUMENTS

D. 240,558	7/1976	Shohoji et al.	D64/11 R
2,492,577	12/1949	Janke	D64/11 R
2,590,179	3/1952	Johnson	101/232

FOREIGN PATENT DOCUMENTS

100,316	11/1916	United Kingdom	101/279
---------	---------	----------------------	---------

Primary Examiner—Joel Stearman
Assistant Examiner—Louis S. Zarfes
Attorney, Agent, or Firm—Richard C. Sughrue

[57] CLAIM

The ornamental design for an etching device for offset printing machine, as shown.

DESCRIPTION

FIG. 1 is a left side elevational view of an etching device for offset printing machine showing our new design;
FIG. 2 is a front elevational view;
FIG. 3 is a top plan view;
FIG. 4 is a bottom plan view;
FIG. 5 is a right side elevational view;
FIG. 6 is a rear view; and
FIG. 7 is a front and left side perspective view.

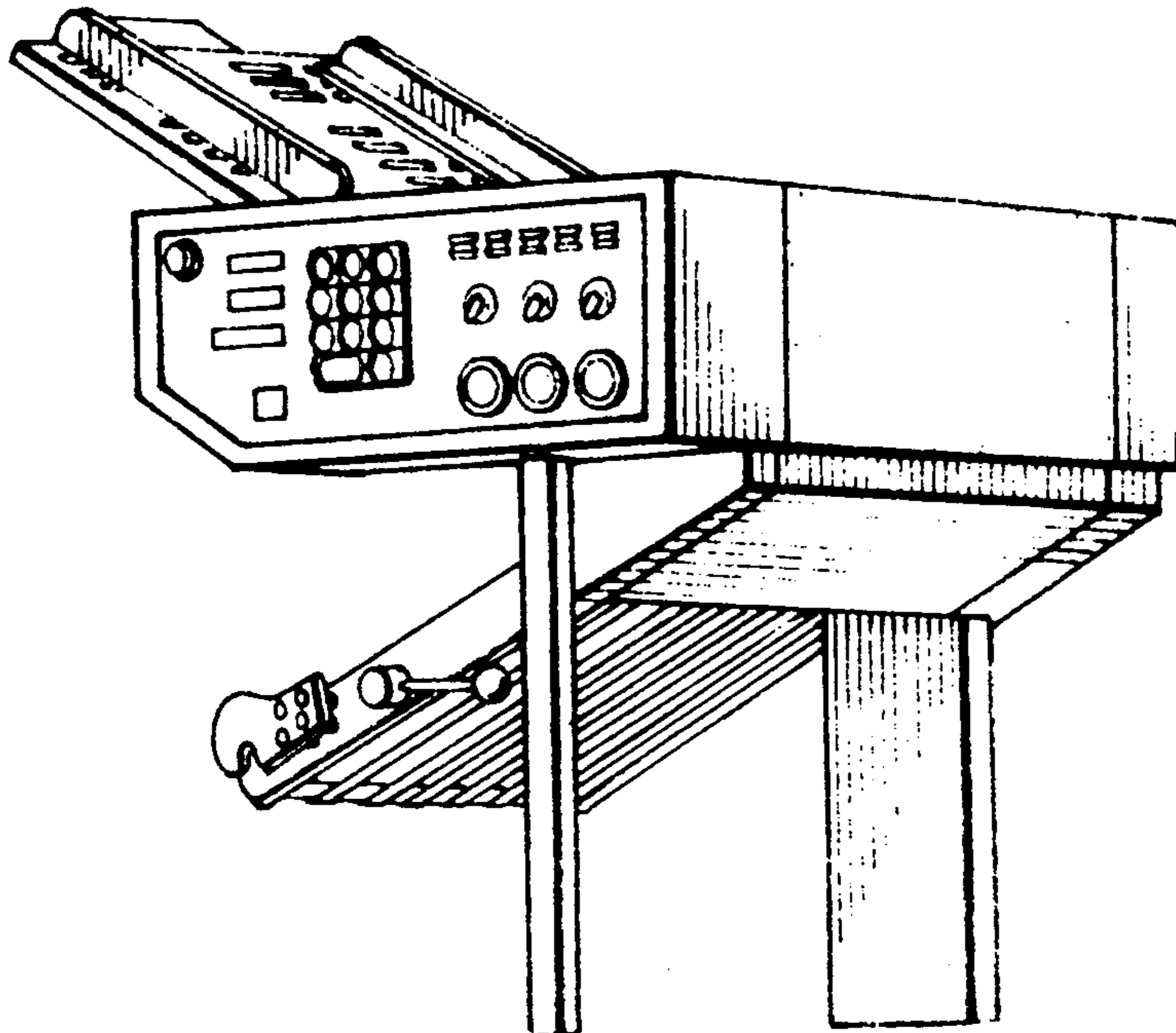


FIG. 1

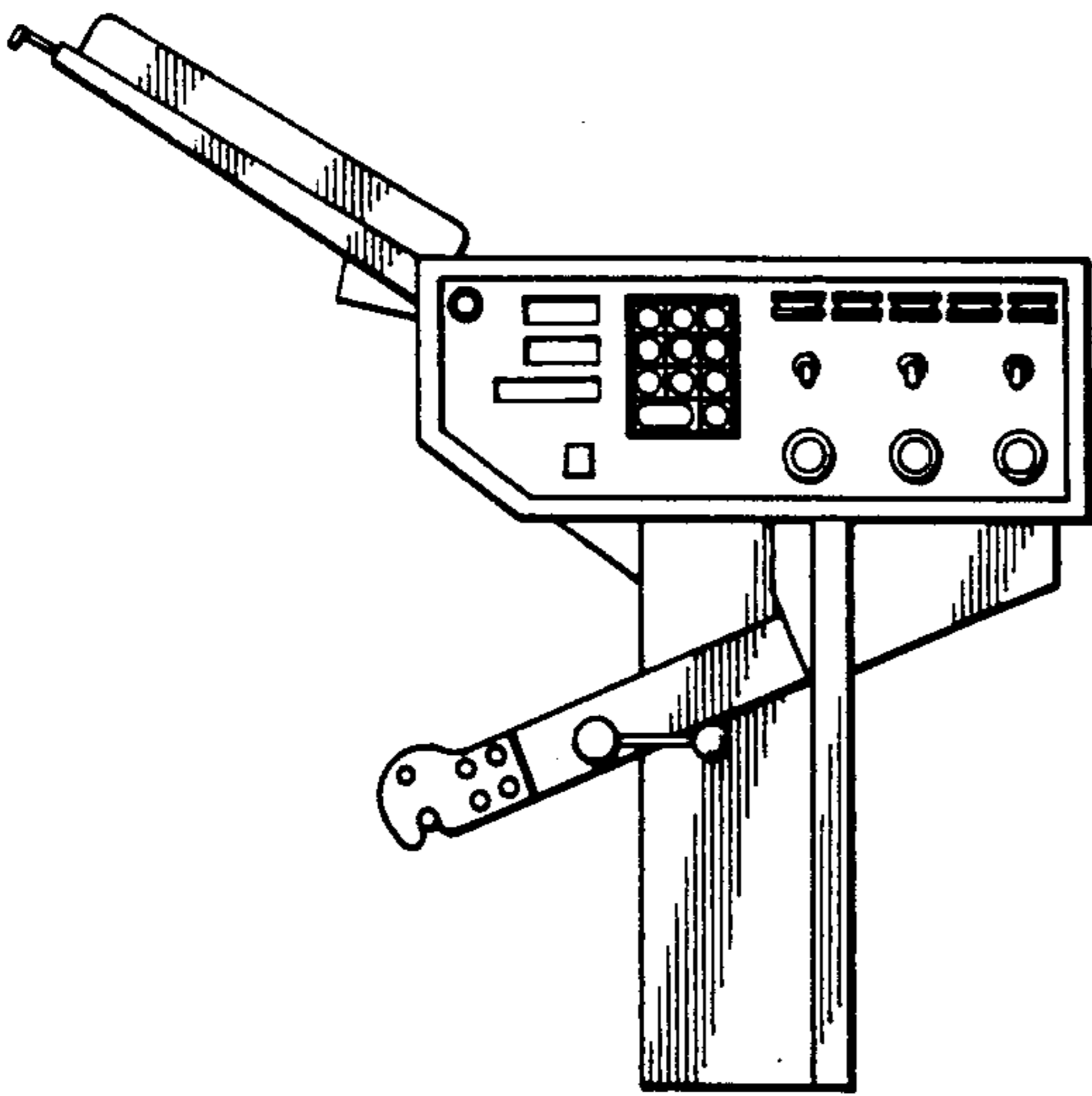


FIG. 2

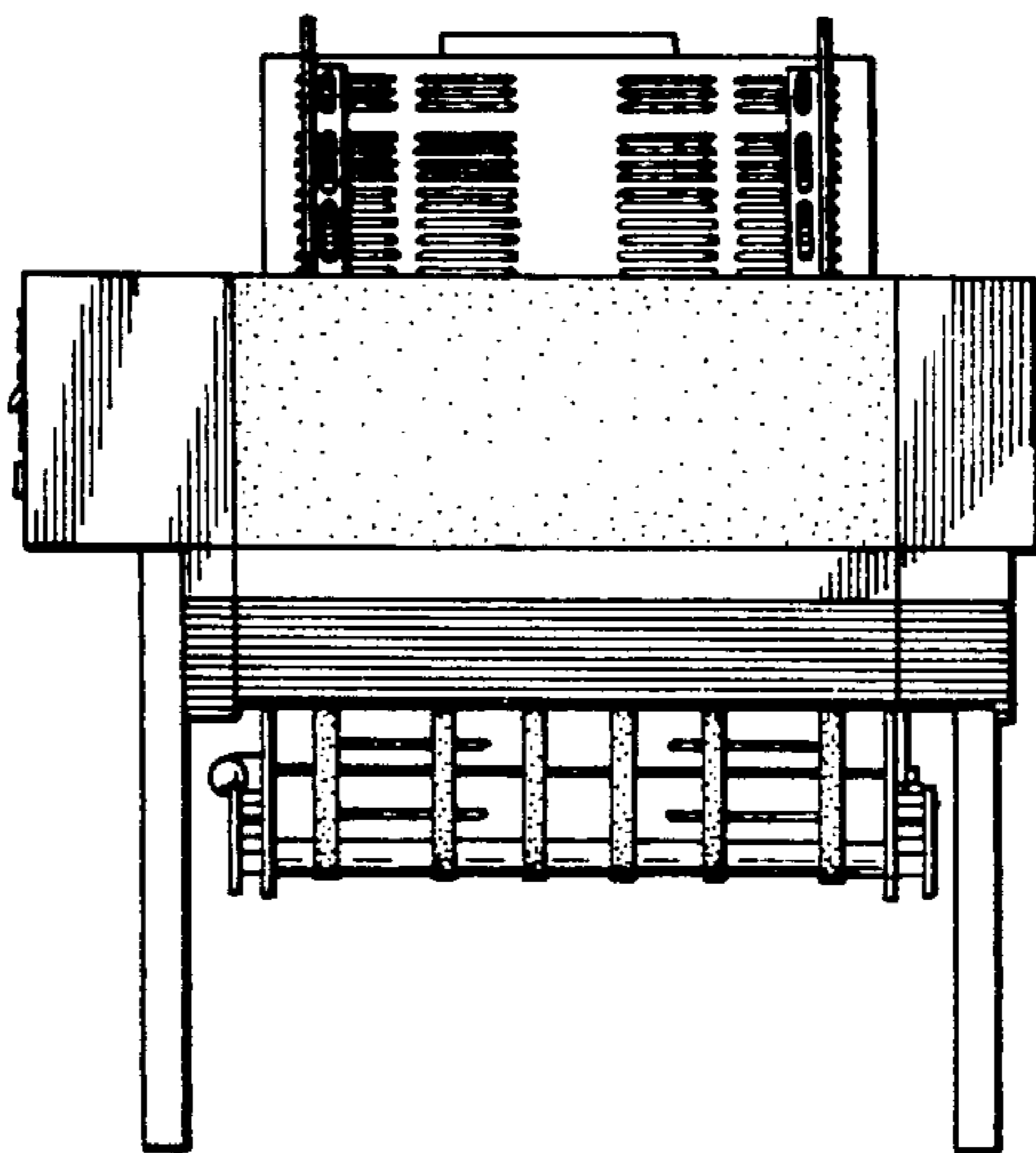


FIG. 3

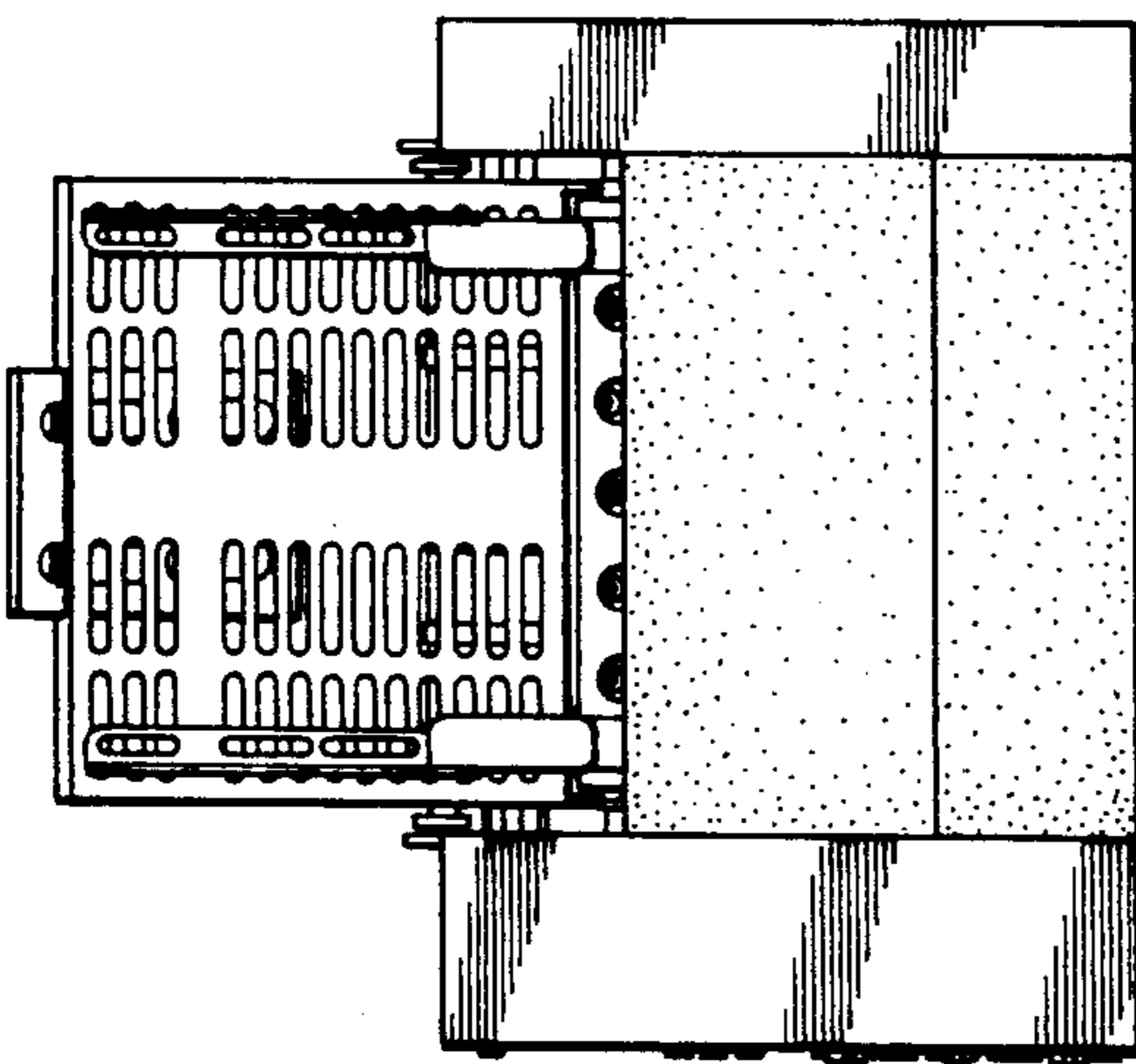


FIG. 4

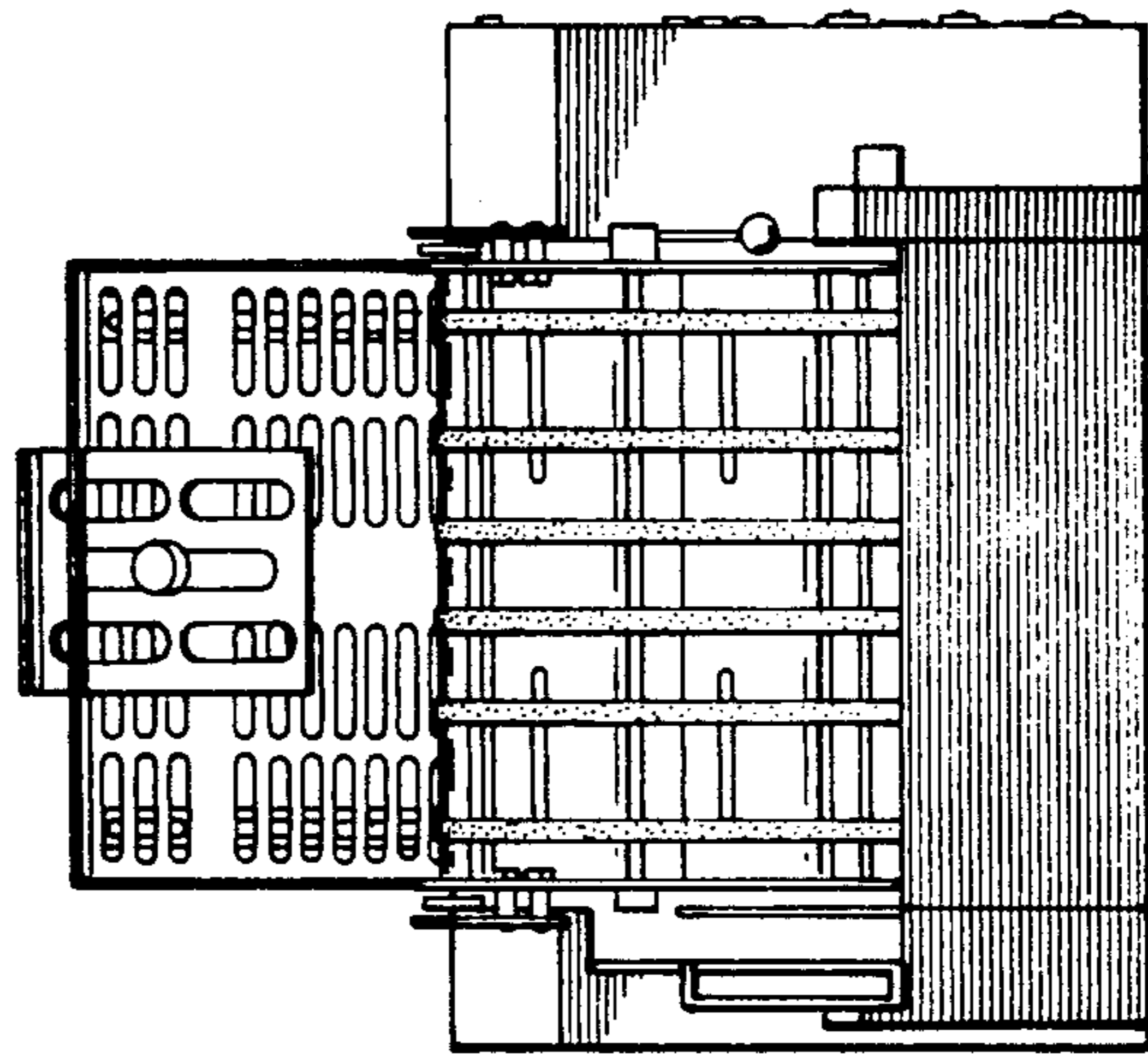


FIG. 5

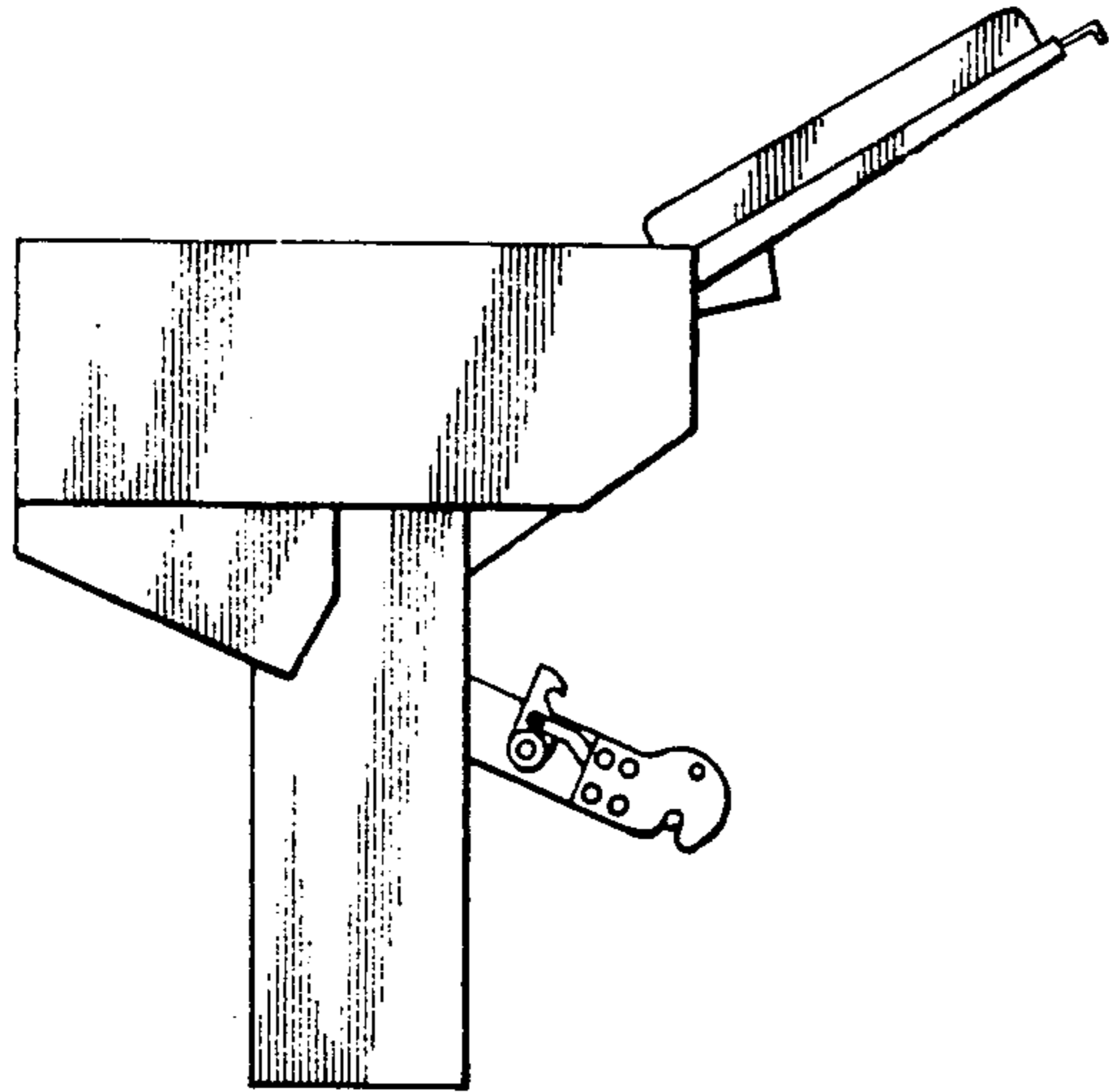


FIG. 6

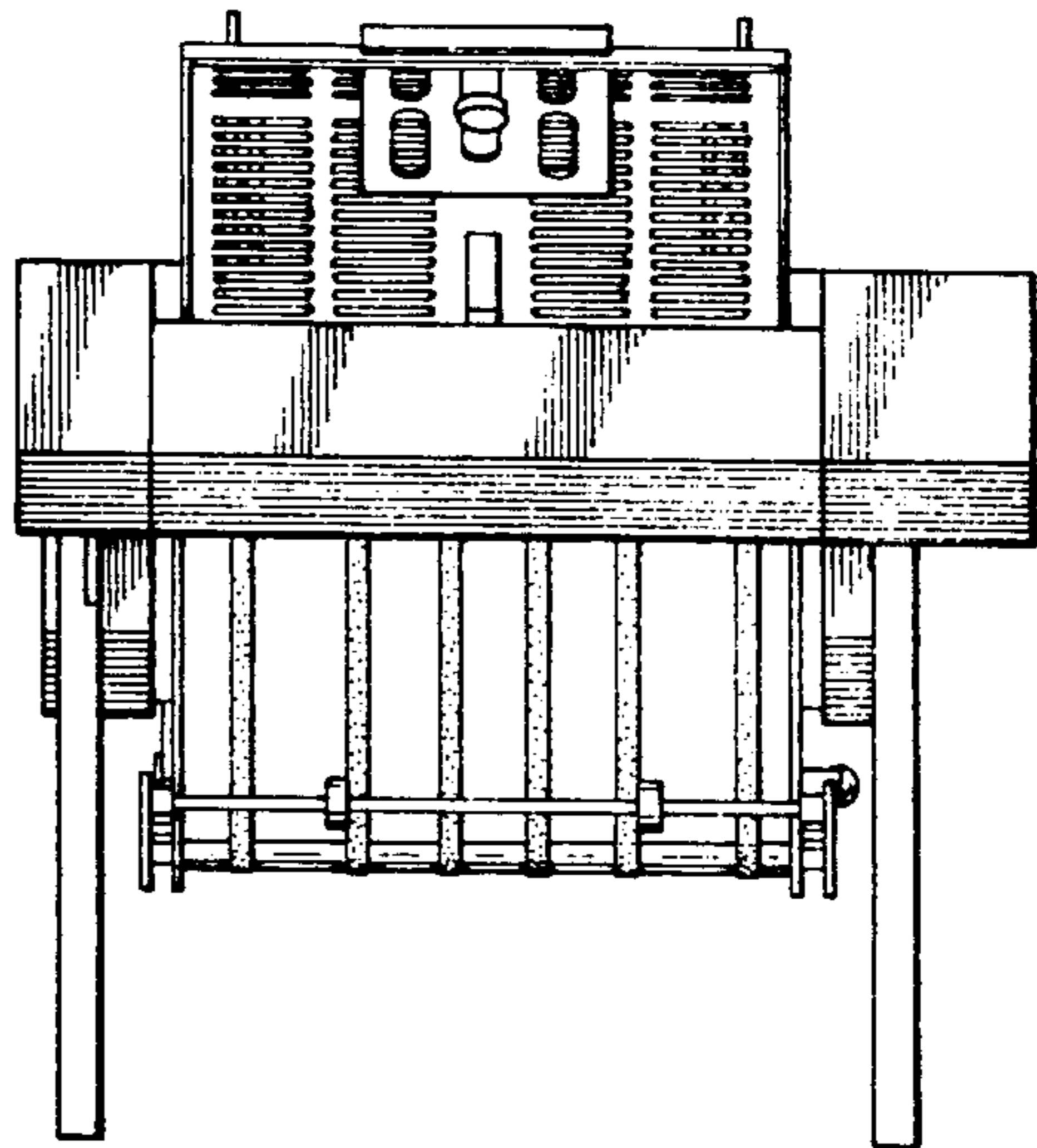


FIG. 7

