

[54] TOY FORK LIFT

[75] Inventor: Bernard J. Dehner, Mound, Minn.

[73] Assignee: Tonka Corporation, Hopkins, Minn.

[**] Term: 14 Years

[21] Appl. No.: 650,461

[22] Filed: Jan. 19, 1976

[51] Int. Cl. D21-01

[52] U.S. Cl. D34/15 AJ

[58] Field of Search D12/57; D34/15 AJ, 15 D, D34/15 AM, 15 AN; 46/103, 105, 201, 202, 204, 206, 210, 211, 212, 213, 222

[56] References Cited

U.S. PATENT DOCUMENTS

D. 236,642 9/1975 Fahrendorff D34/15 AJ

OTHER PUBLICATIONS

Modern Materials Handling, 8-1969, p. 112, Waite X5 Fork-Lift.

Modern Materials Handling, 6-1969, p. 278, 6000 fork-lift at bottom left corner of page.

J.C. Penny Catalog, 1975, p. 408, item #5, forklift toy.

Primary Examiner—Bruce W. Dunkins

Assistant Examiner—C. A. Rademaker

Attorney, Agent, or Firm—John D. Gould

[57] CLAIM

The ornamental design for a toy fork lift, as shown and described.

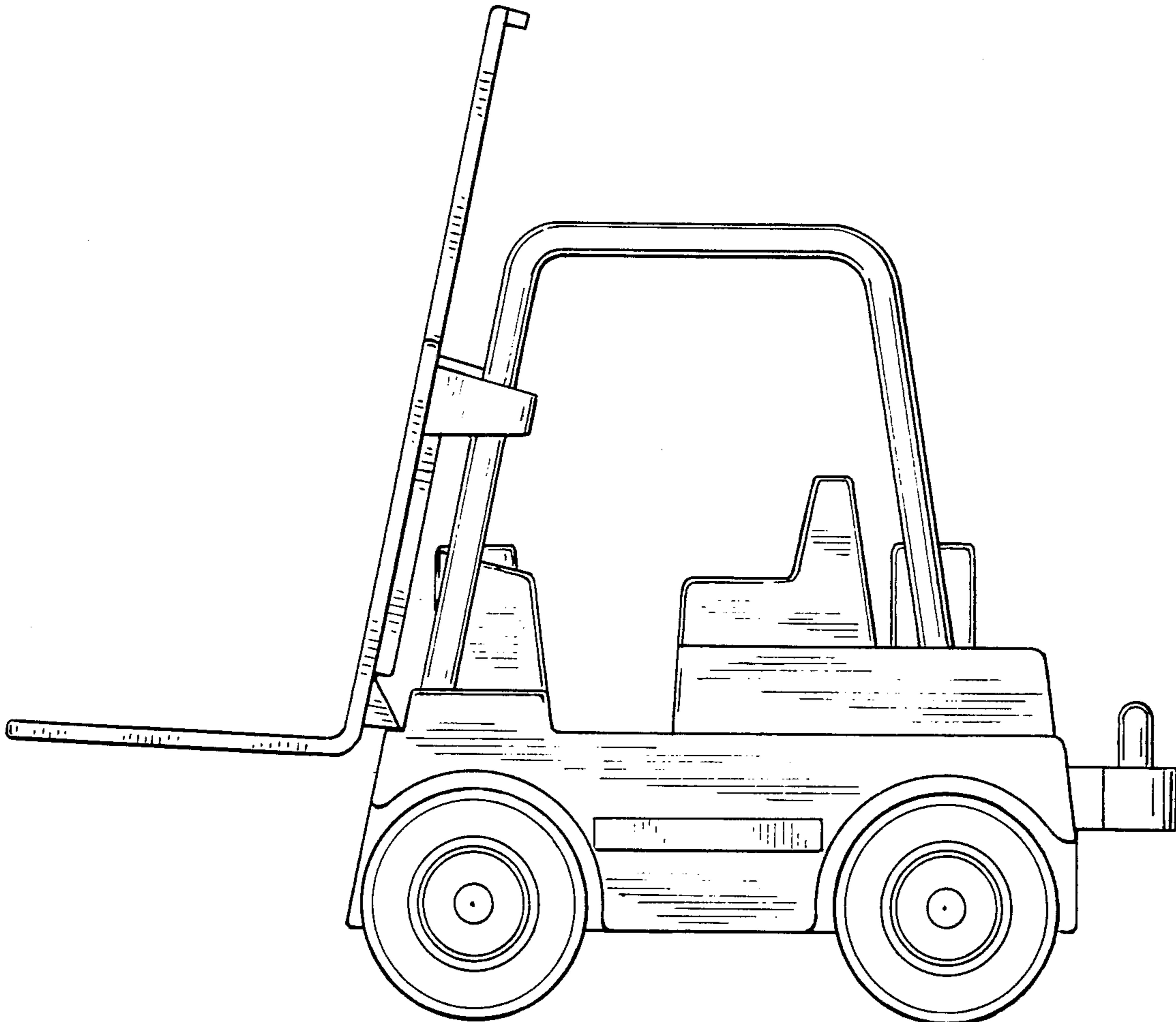
DESCRIPTION

FIG. 1 is a top plan view of a toy fork lift showing my new design.

FIG. 2 is a left side elevational view thereof, the right side of the vehicle is a mirror image of the left side.

FIG. 3 is a front elevational view thereof.

FIG. 4 is a rear elevational view thereof.



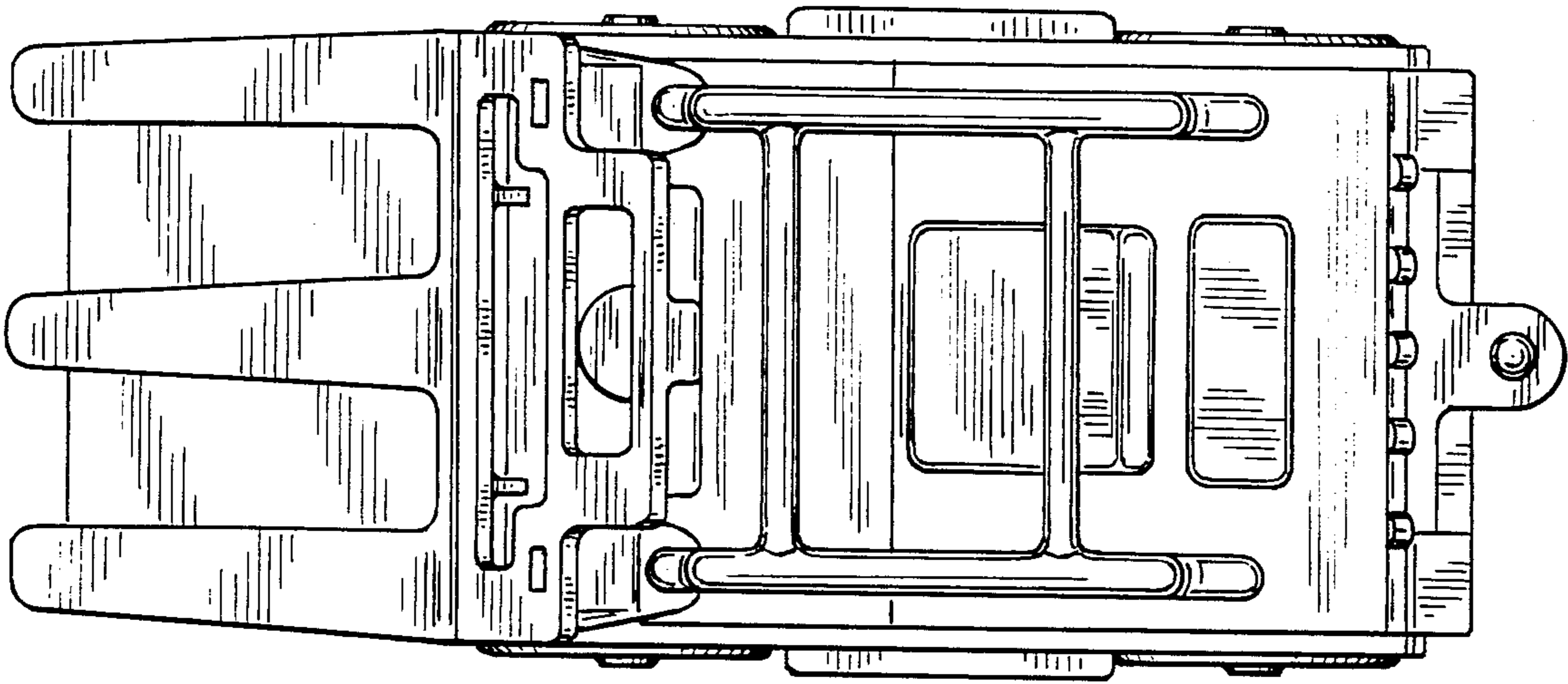


FIG. 1

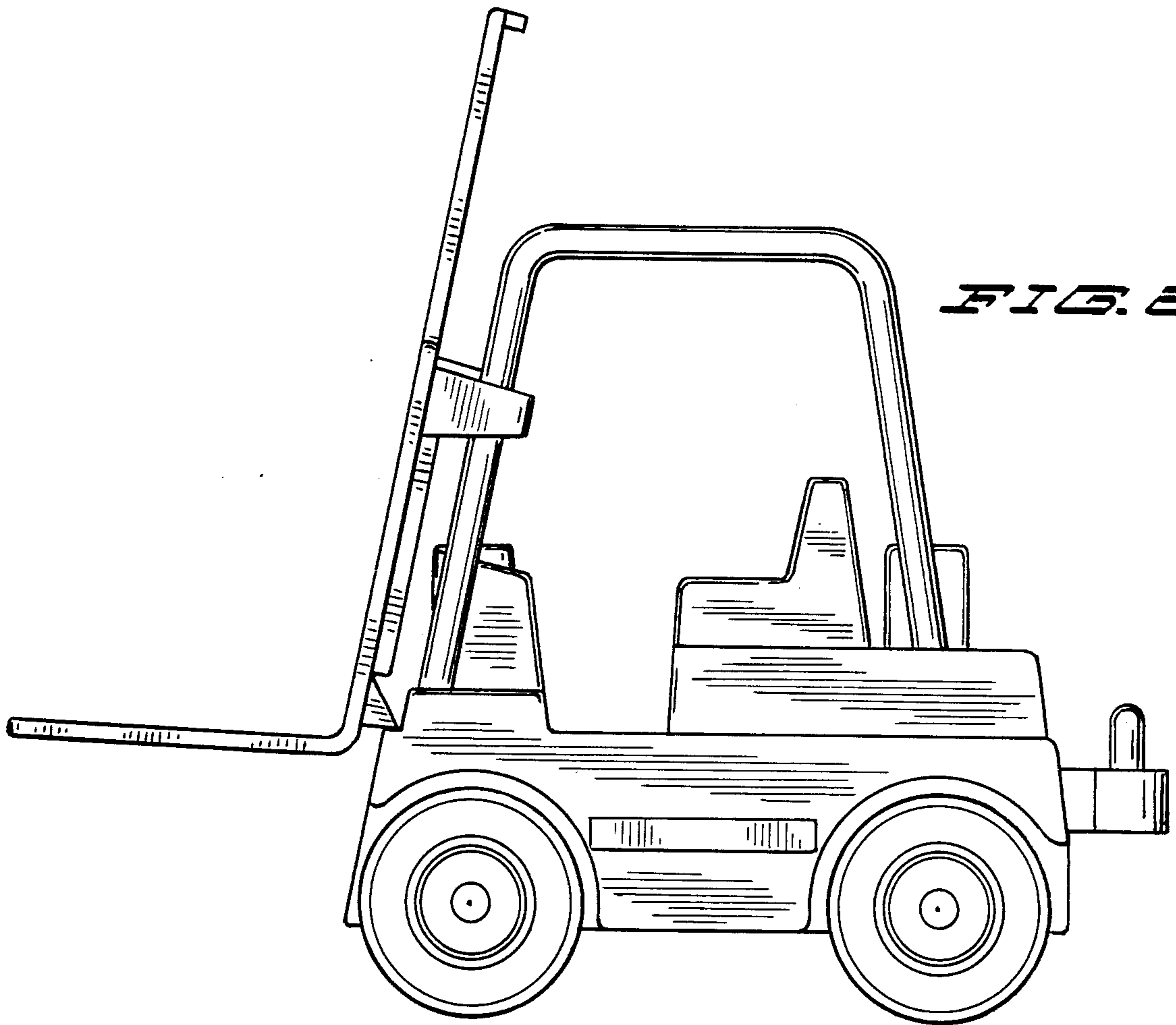


FIG. 2

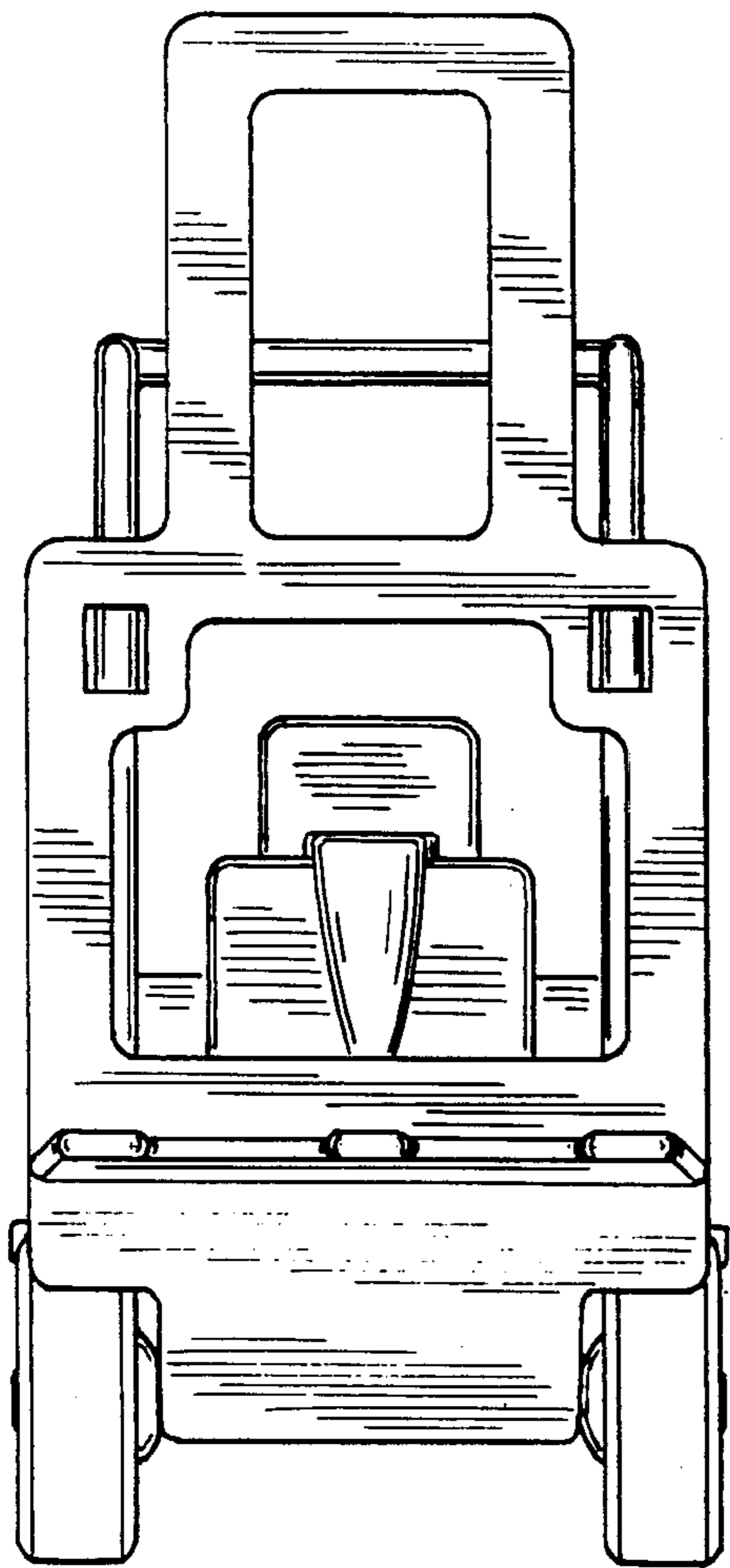


FIG. 3

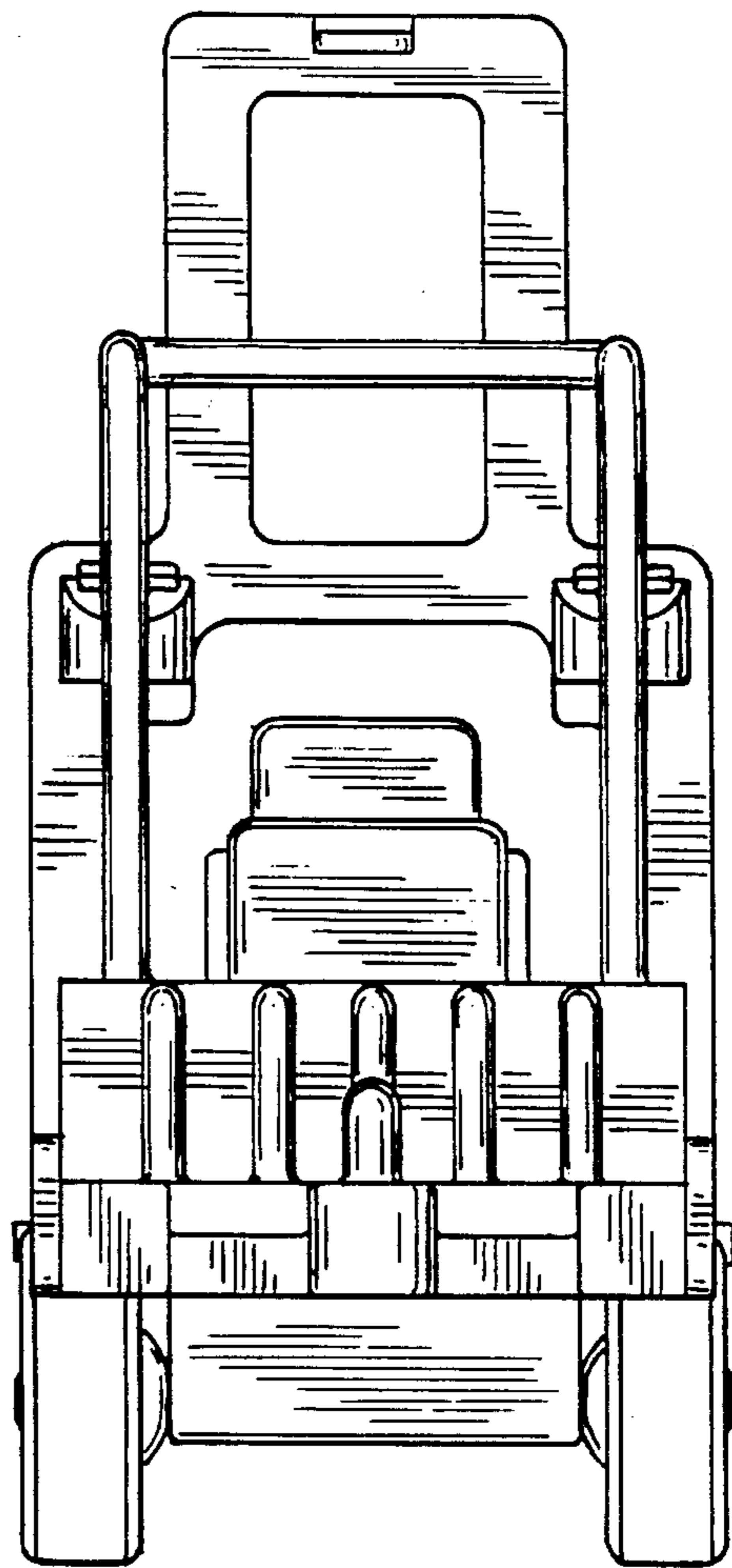


FIG. 4