

[54] **TURBINE VENTILATOR**

[76] Inventor: **Donald L. Rousey**, 9N 4th Ave., Des Plaines, Ill. 60016

[**] Term: **14 Years**

[21] Appl. No.: **714,530**

[22] Filed: **Aug. 16, 1976**

[51] Int. Cl. **D23-04**

[52] U.S. Cl. **D23/153**

[58] Field of Search **D23/139-167;**
98/69, 72, 75; 416/227 A

3,460,855 8/1969 Belden D23/153 X
 3,523,500 8/1970 Artis et al. D23/153 X
 3,590,720 7/1971 Siegal 98/75

Primary Examiner—James R. Largen
Attorney, Agent, or Firm—Donald R. Bahr

[57] **CLAIM**

The ornamental design for a turbine ventilator, as shown and described.

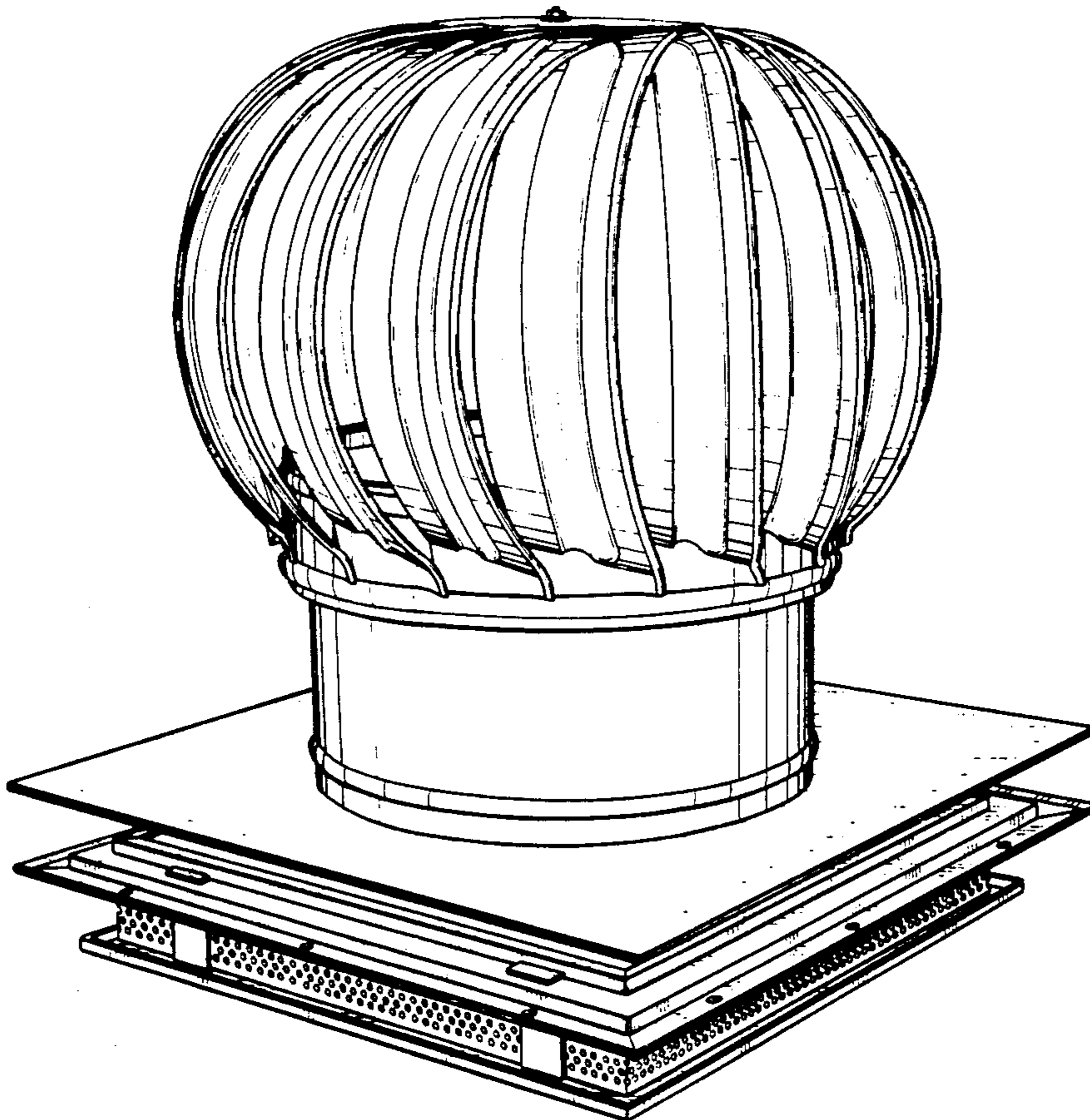
DESCRIPTION

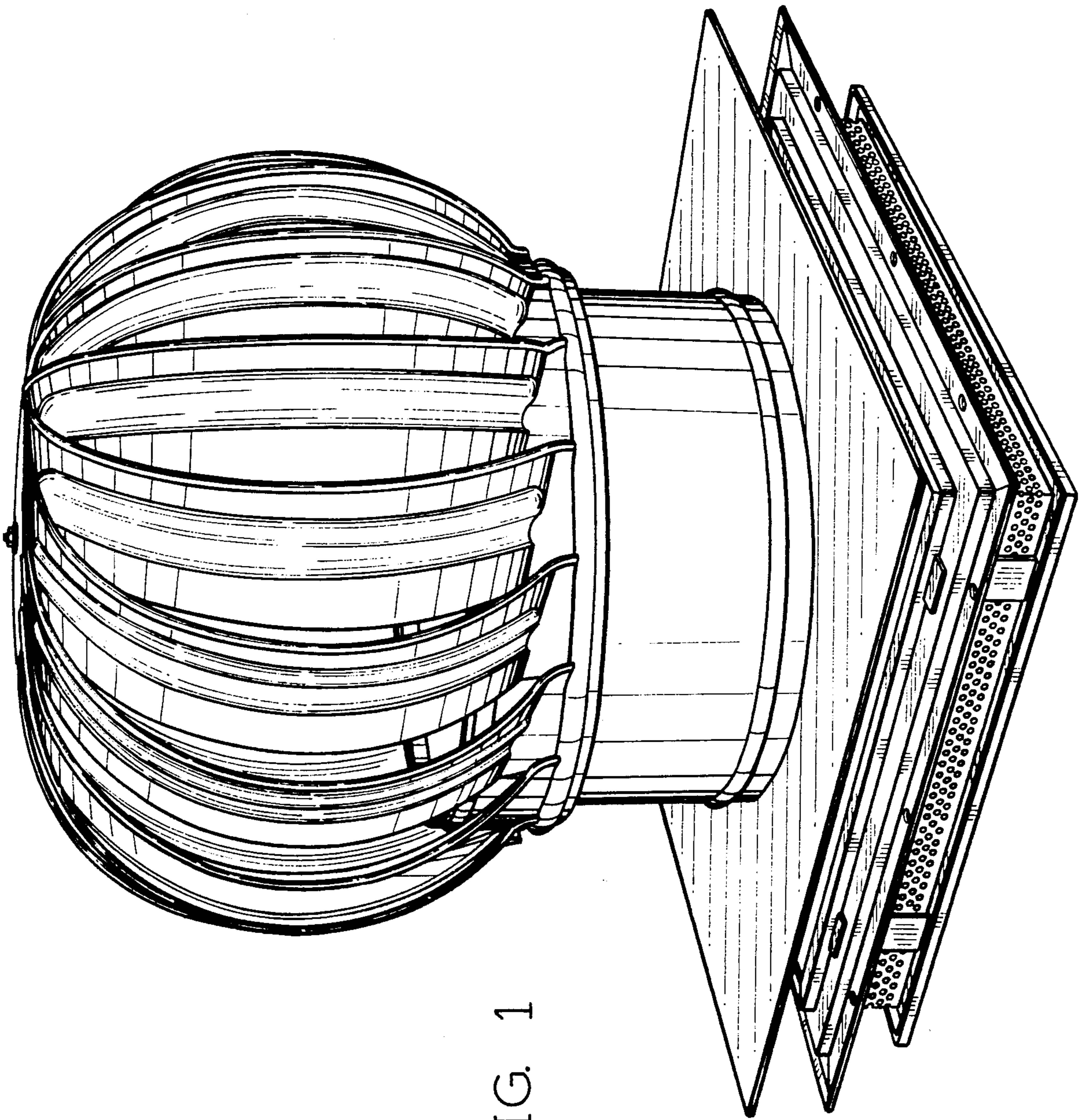
FIG. 1 is a front perspective view of a turbine ventilator showing my new design;
 FIG. 2 is a rear perspective view thereof;
 FIG. 3 is an elevational view taken from one side thereof the opposite side being the same as the side shown;
 FIG. 4 is a bottom plan view thereof; and
 FIG. 5 is a top plan view thereof.
 The fragmentary broken line representation of roof in FIG. 3 is for purposes of illustration only.

[56] **References Cited**

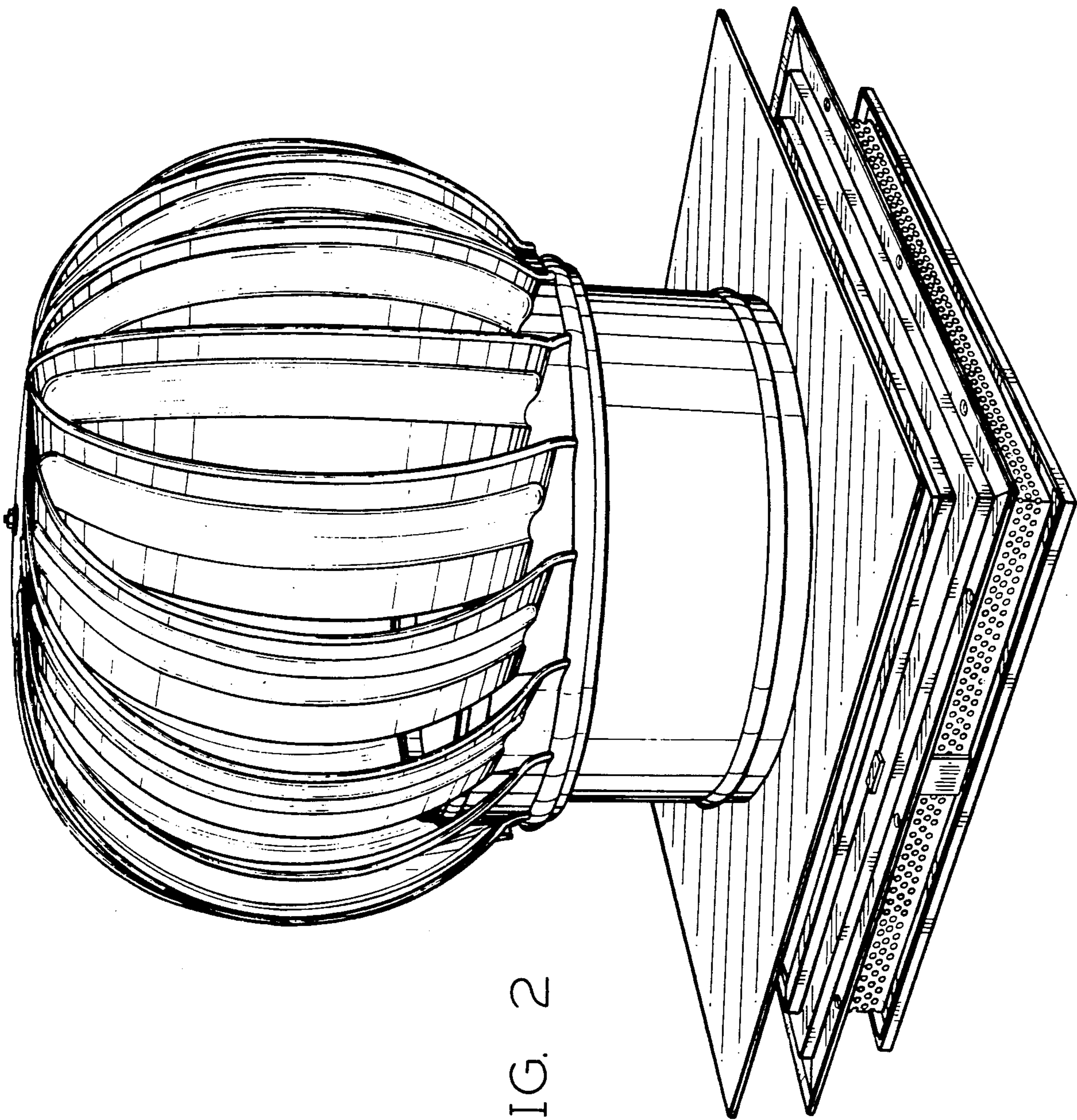
U.S. PATENT DOCUMENTS

D. 83,411	2/1931	McCluney et al.	D23/153
2,797,632	7/1957	Hook	98/72 X
2,856,838	10/1958	Maek	98/72 X
3,267,833	8/1966	Artis et al.	98/75 X
3,392,659	7/1968	Rousey	98/75 X

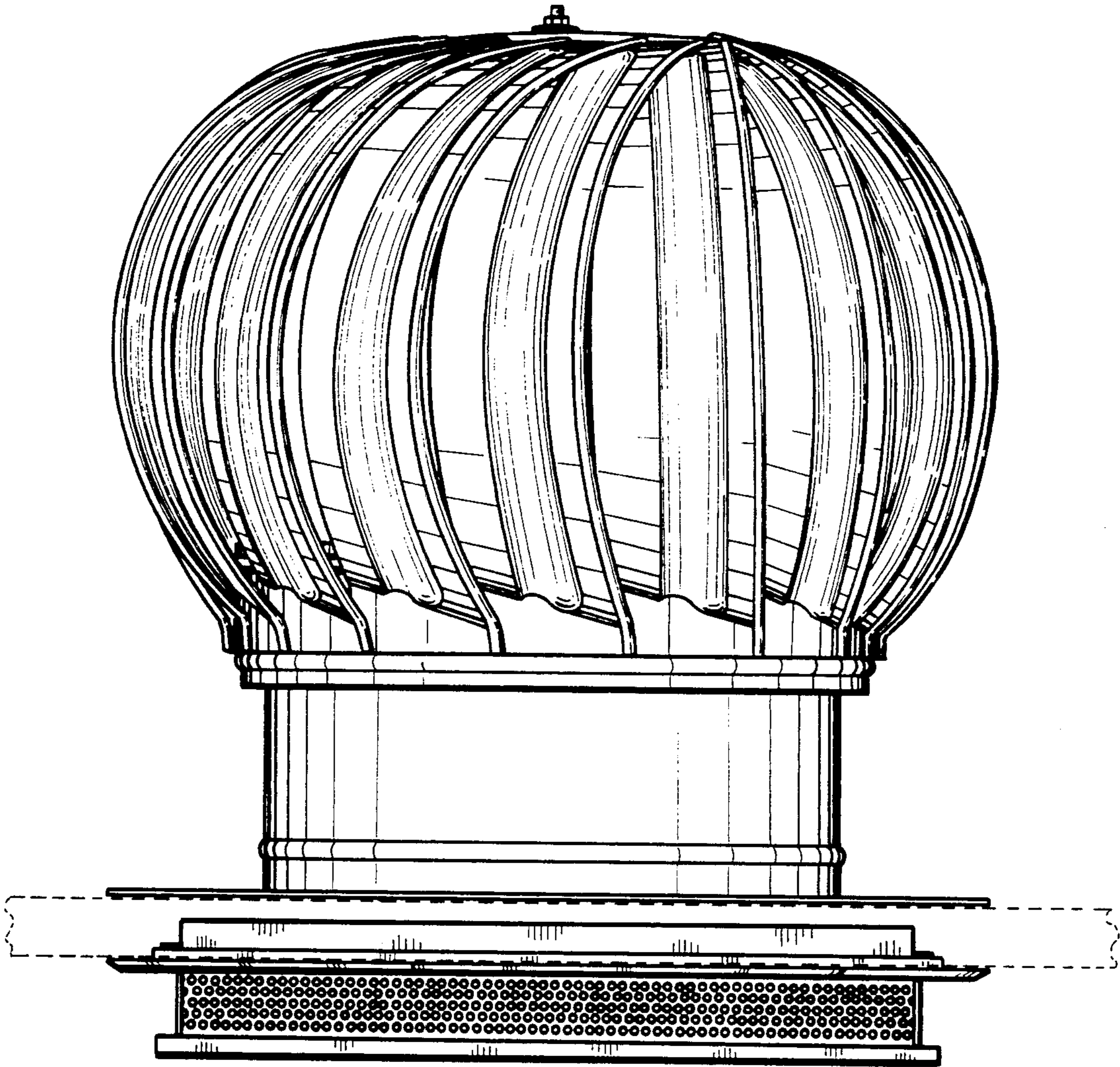




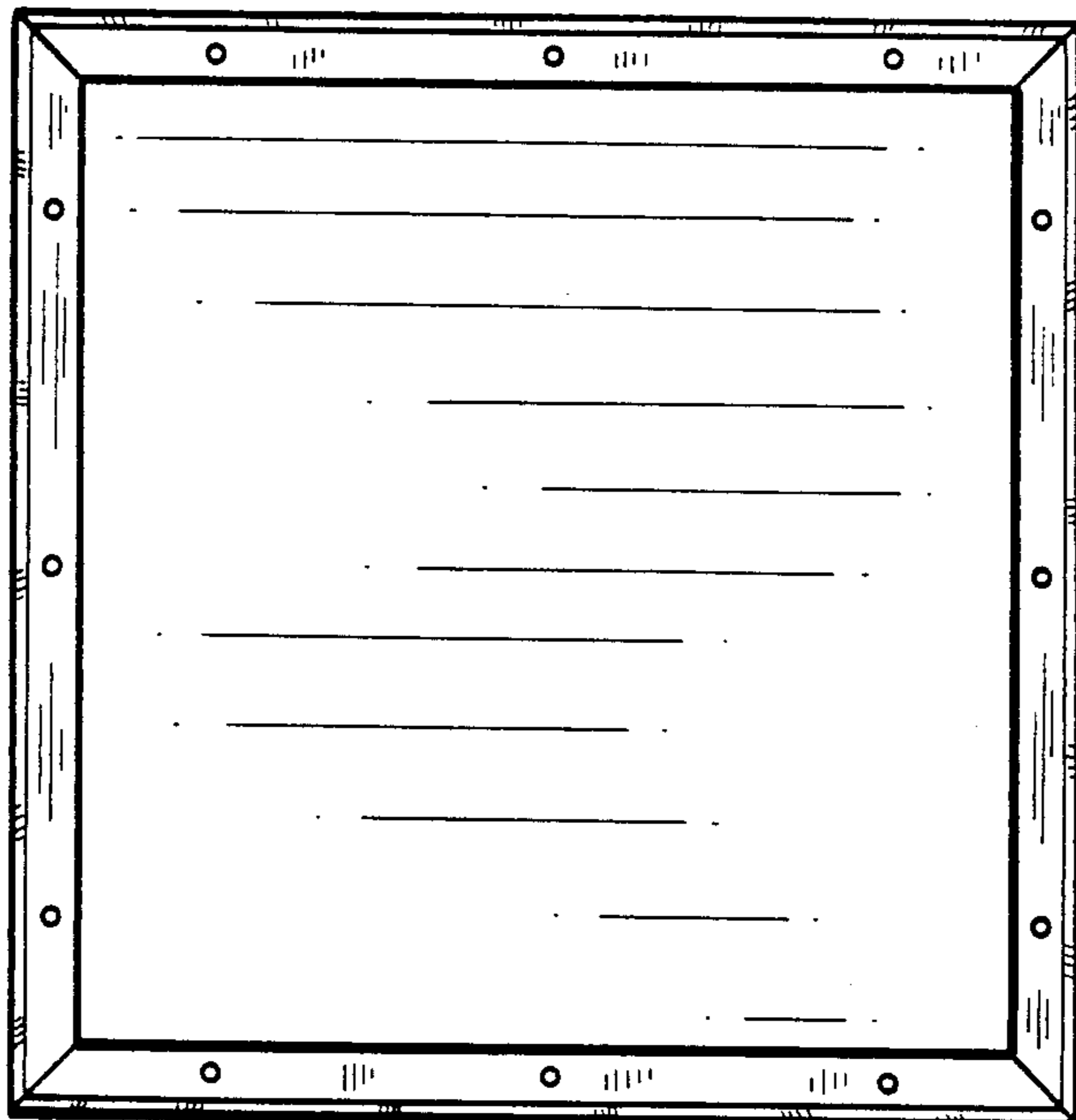
—FIG. 1



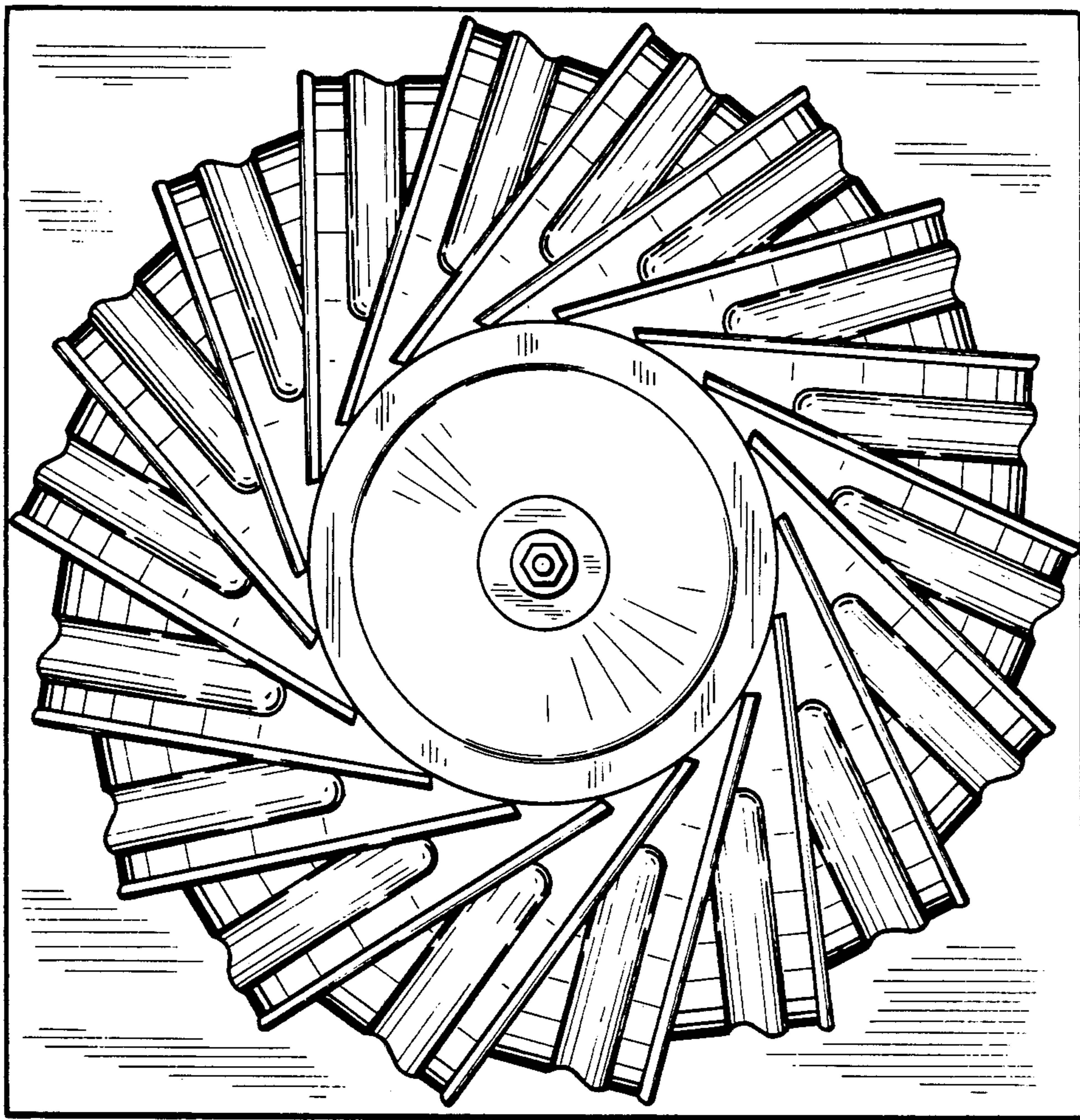
—FIG. 2



—FIG. 3



—FIG. 4



—FIG. 5