

[54] **COMBINED VENTILATOR FRAME AND COVER**

[75] Inventor: **Anthony Kujawa, Jr.**, Toledo, Ohio

[73] Assignee: **Production Research, Inc.**, Toledo, Ohio

[\*\*] Term: **14 Years**

[21] Appl. No.: **739,565**

[22] Filed: **Nov. 8, 1976**

[51] Int. Cl. .... **D23-04**

[52] U.S. Cl. .... **D23/140**

[58] Field of Search ..... D12/181, 155, 190; D23/139, 140, 142, 151, 153; D10/111, 113; D48/32 R; 98/2, 2.14, 2.16, 2.17, 2.18, 2.11

[56] **References Cited**

**U.S. PATENT DOCUMENTS**

D. 214,295	5/1969	Hedgewick et al. ....	D10/113
3,005,089	10/1961	Robbins .....	D48/32 R
3,227,868	1/1966	Morgan .....	D48/32 R
3,672,291	6/1972	Kujawa, Jr. ....	98/2.16
3,763,760	10/1973	Erickson .....	98/2

**OTHER PUBLICATIONS**

J. C. Whitney Catalog No. 347, Rec'd 5/4/76, p. E,

Roof or Side Ventilator for Vans, RV's etc., top of page.

*Primary Examiner*—Wallace R. Burke  
*Assistant Examiner*—James M. Gandy  
*Attorney, Agent, or Firm*—Richard B. Dence

[57] **CLAIM**

The ornamental design for a combined ventilator frame and cover, as shown and described.

**DESCRIPTION**

FIG. 1 is a perspective view of a combined ventilator frame and cover showing my new design, it being understood that the broken lines are for illustrative purposes only;

FIG. 2 is an enlarged front perspective view thereof;

FIG. 3 is an enlarged rear perspective view thereof;

FIG. 4 is a greatly enlarged sectional view thereof taken along line 4—4 in FIG. 2;

FIG. 5 is a greatly enlarged sectional view thereof taken along line 5—5 in FIG. 2;

FIG. 6 is a perspective view of a combined ventilator frame and cover showing a second embodiment of my new design, it being understood that the broken lines are for illustrative purposes only;

FIG. 7 is an enlarged front perspective view of FIG. 6;

FIG. 8 is an enlarged rear perspective view of FIG. 6; and

FIG. 9 is a greatly enlarged sectional view of FIG. 6 taken along line 9—9 in FIG. 7.

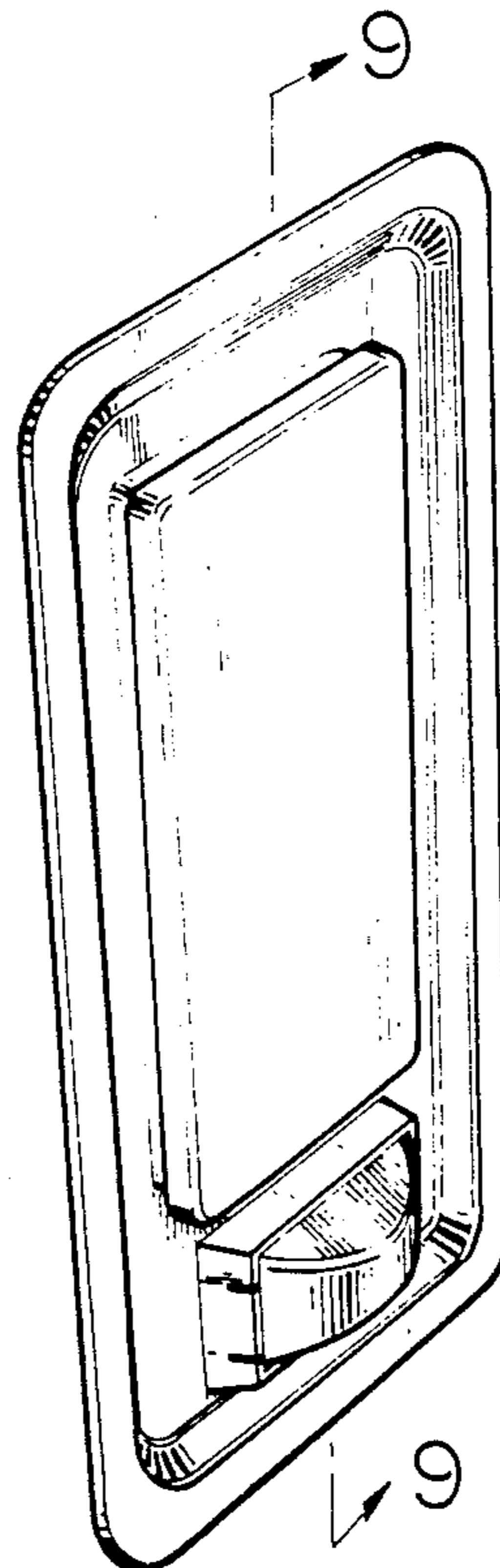
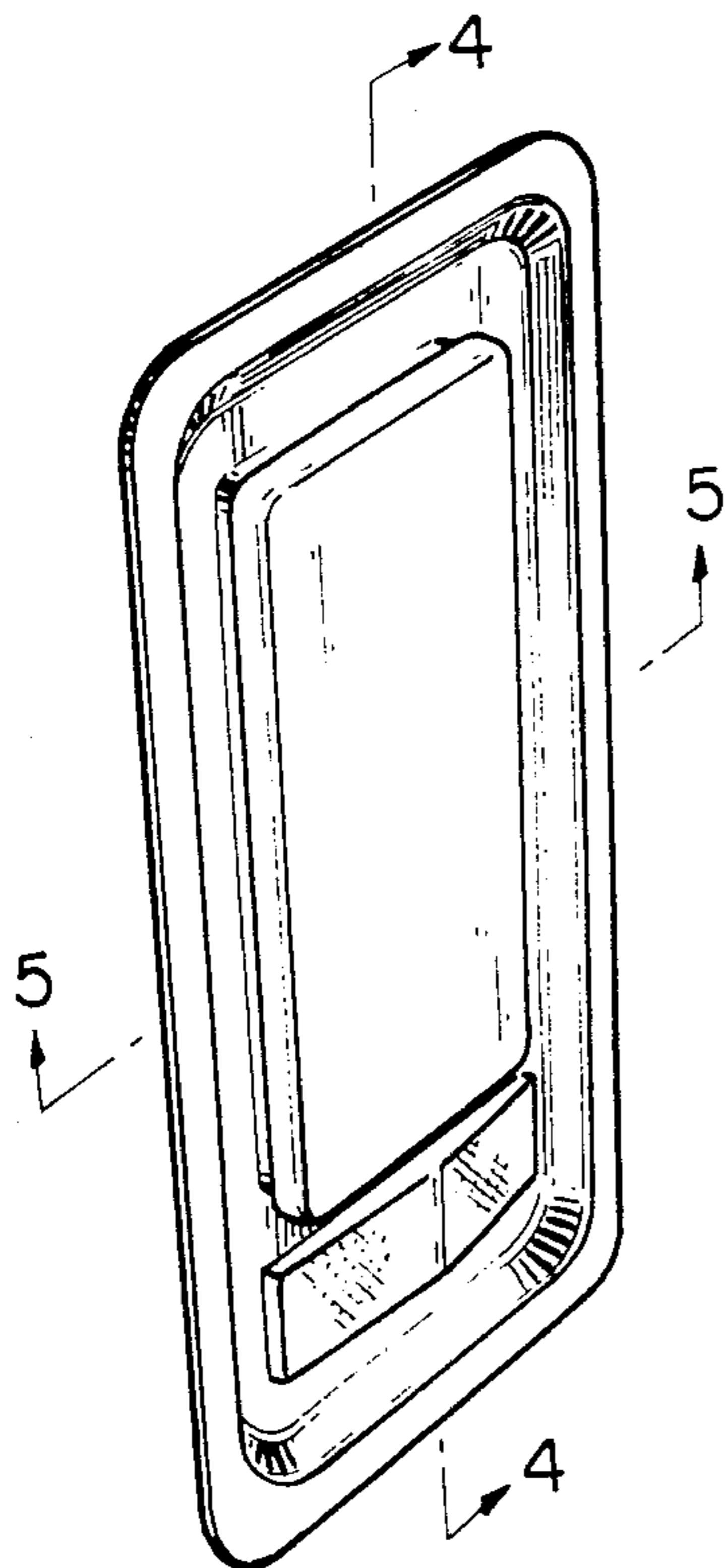




FIG. 4

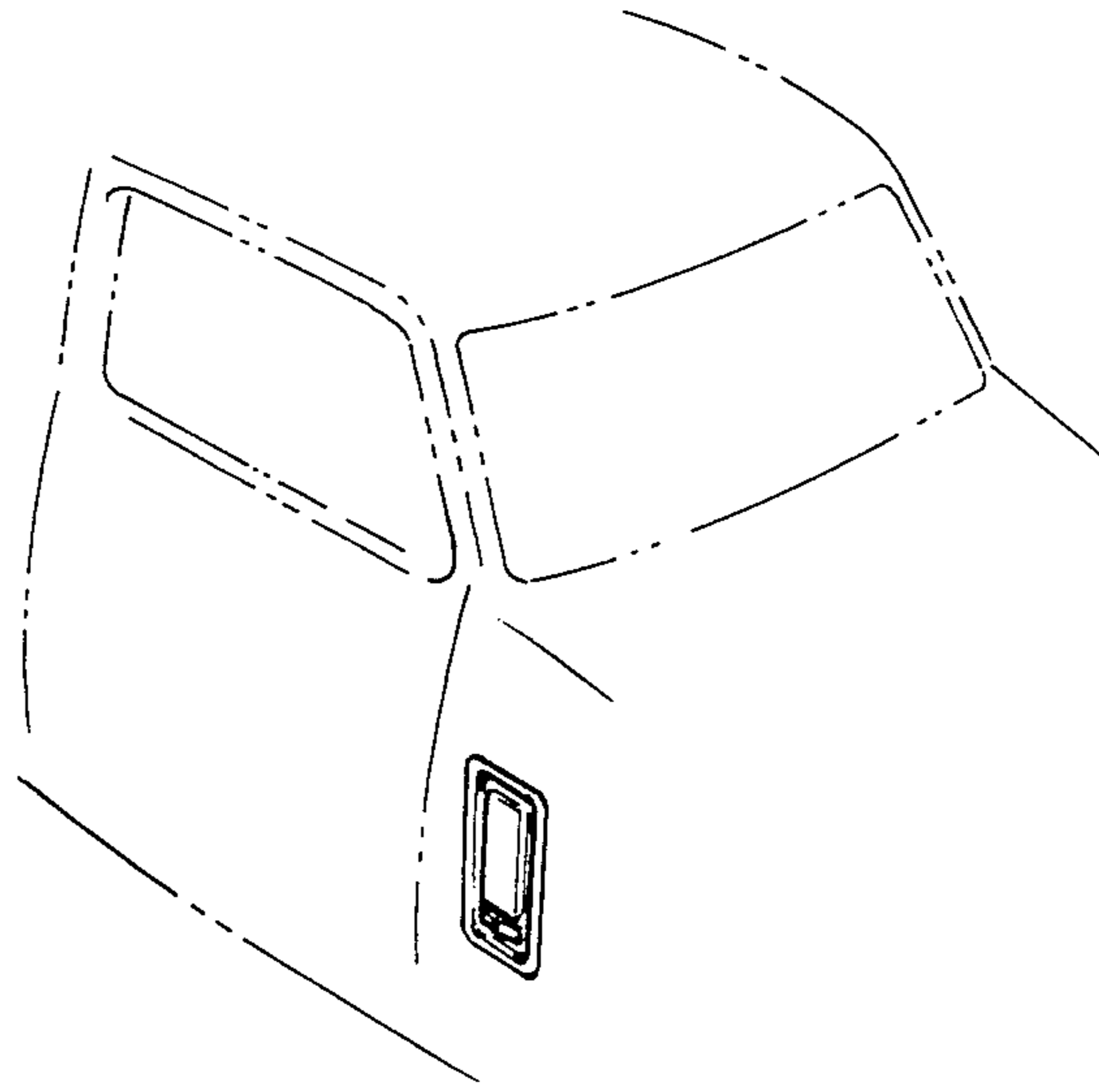


FIG. 1

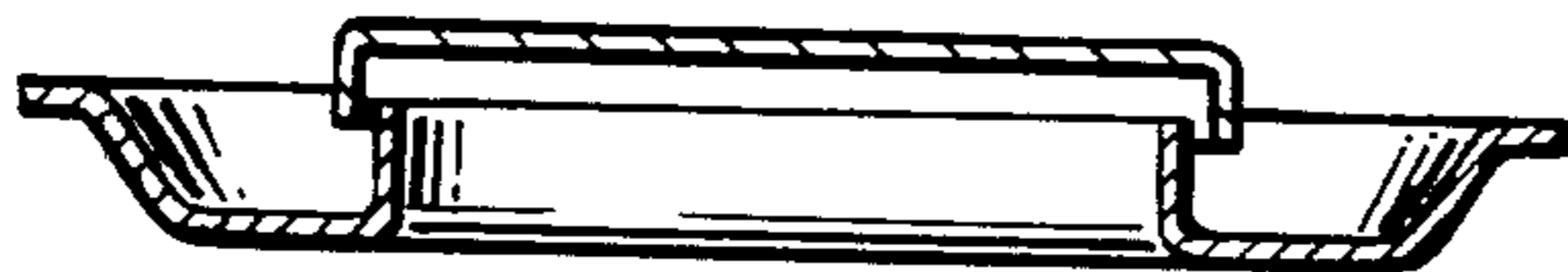


FIG. 5

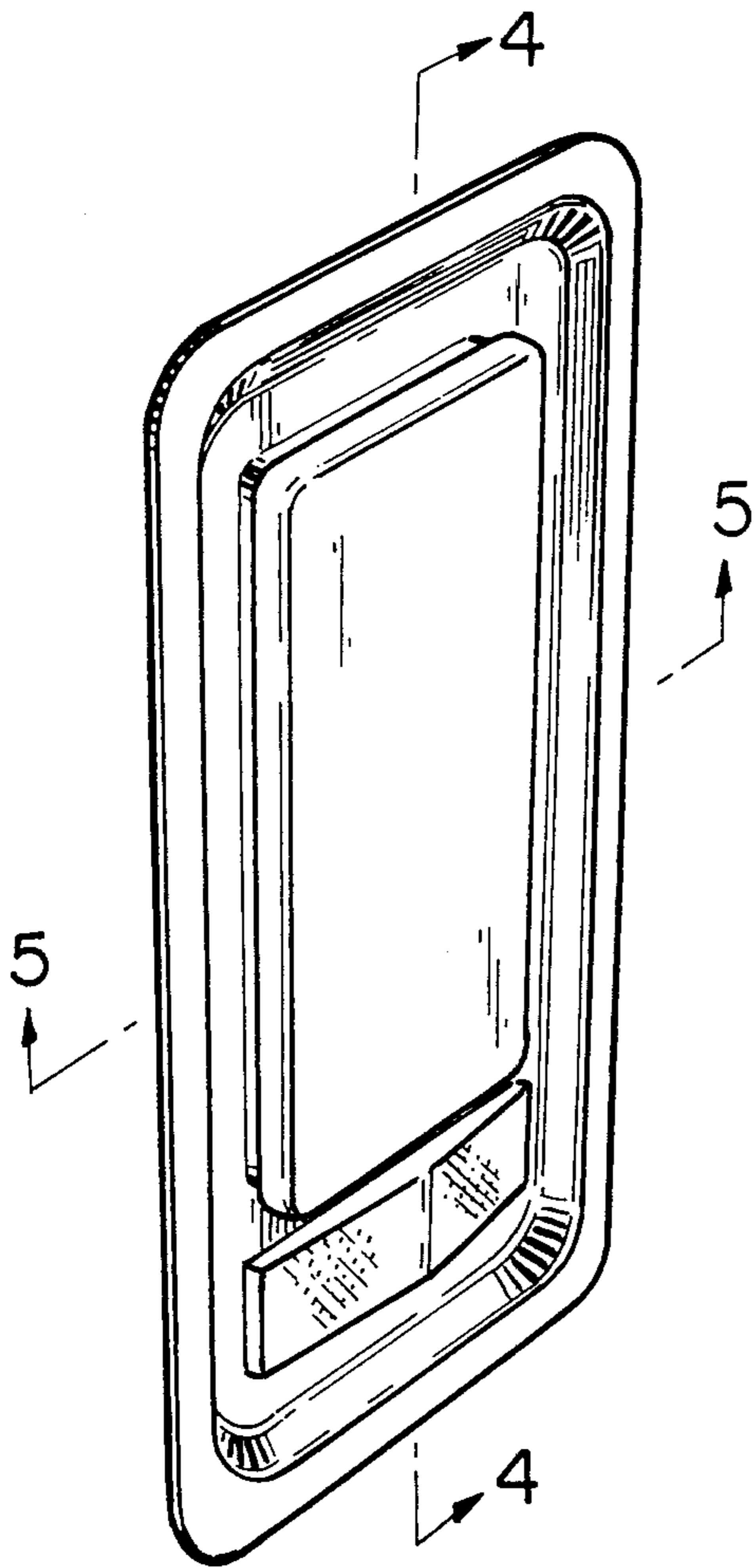


FIG. 2

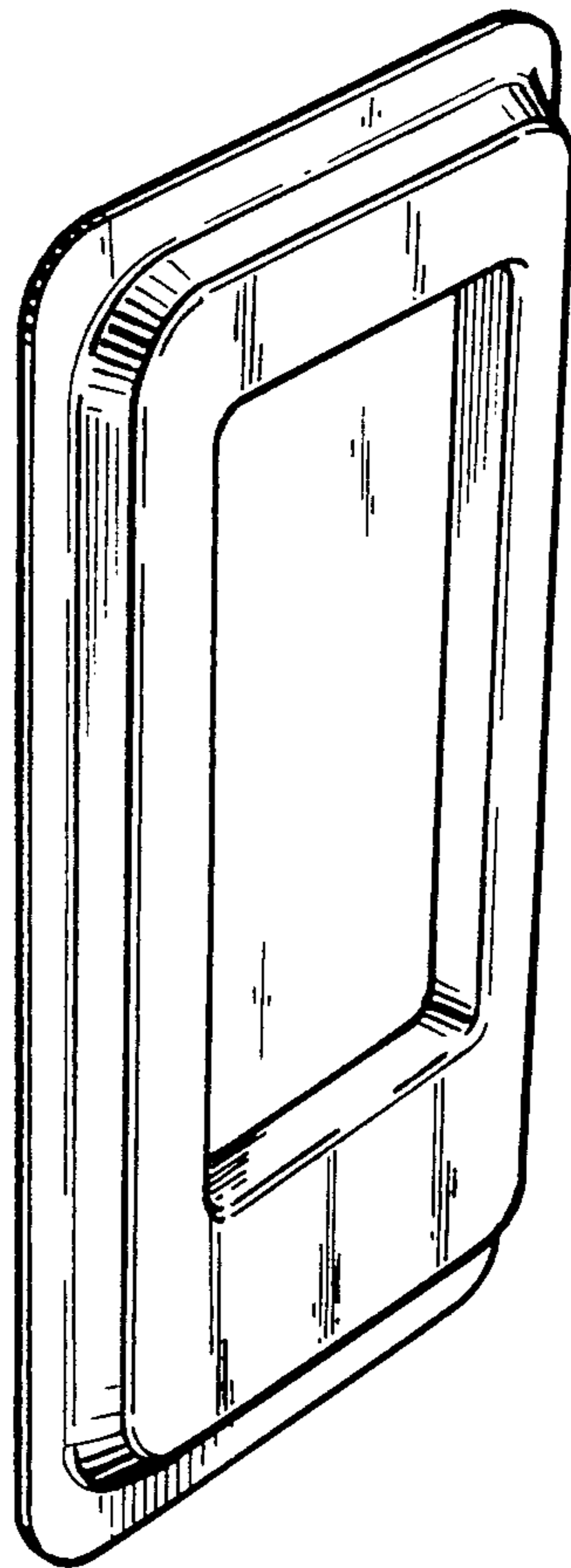


FIG. 3

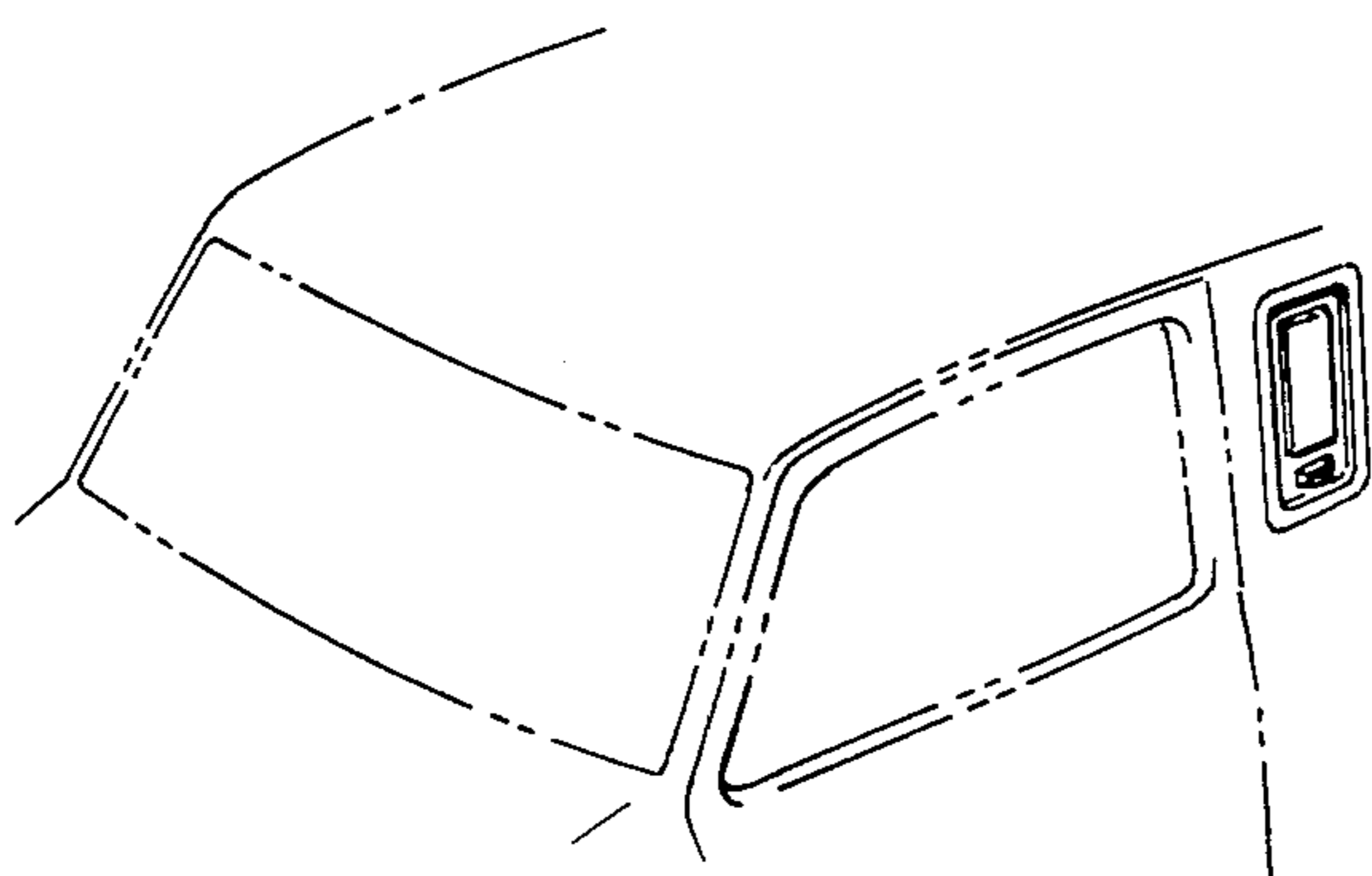


FIG. 6

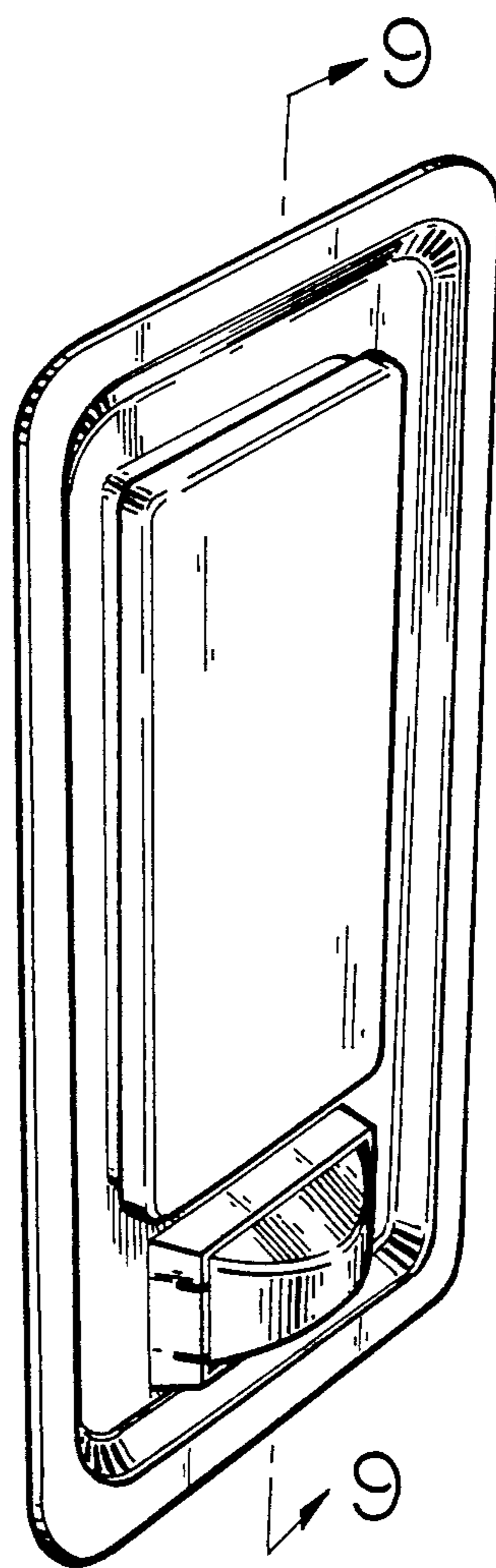


FIG. 7

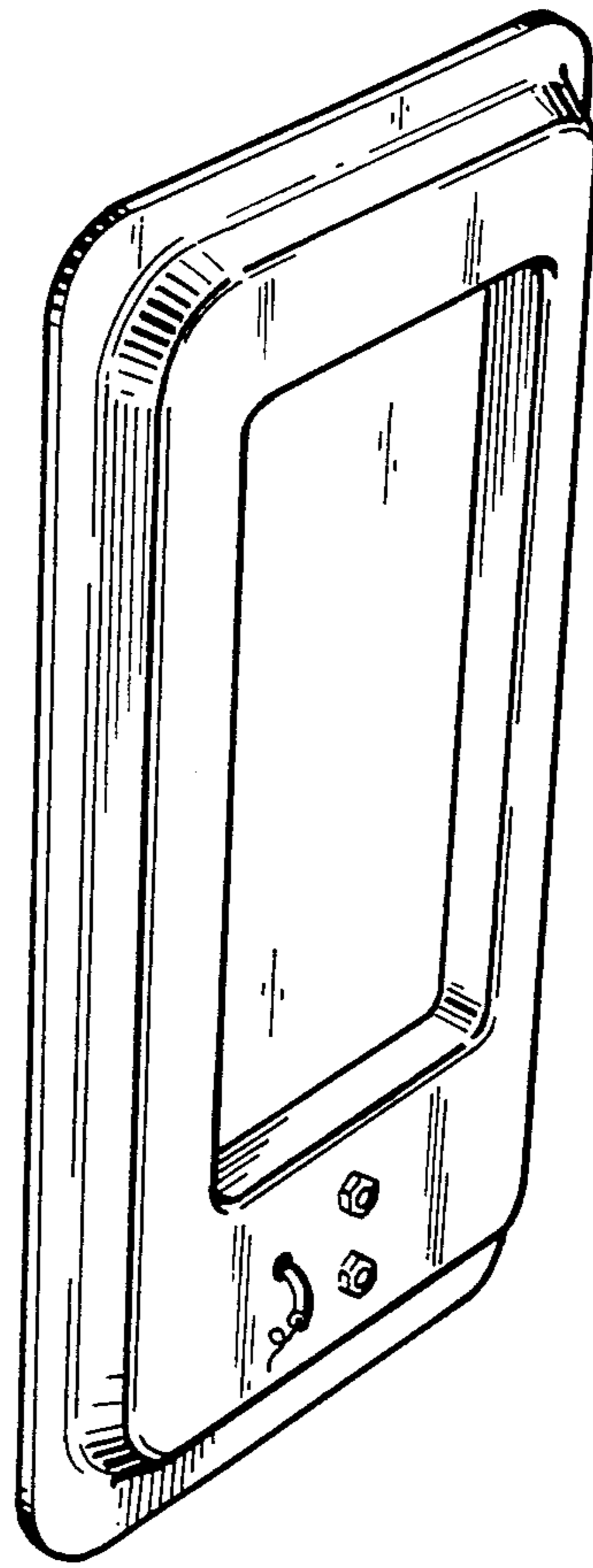


FIG. 8

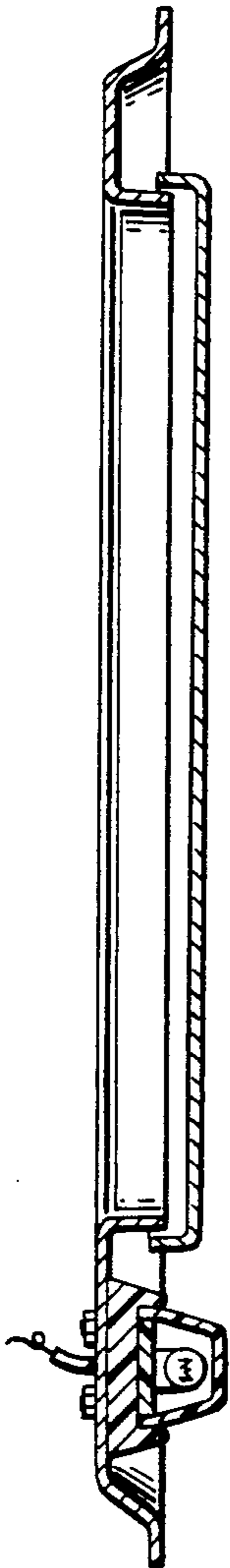


FIG. 9