

[54] DENTAL HYGIENE TEACHING  
APPARATUS OR THE LIKE

Primary Examiner—Melvin B. Feifer  
Attorney, Agent, or Firm—David L. Garrison

[76] Inventor: William C. Hoisington, 210 Lake  
Washington Blvd., Seattle, Wash.  
98112

[\*\*] Term: 14 Years

[21] Appl. No.: 617,669

[22] Filed: Sep. 29, 1975

[51] Int. Cl.<sup>2</sup> ..... D19-07

[52] U.S. Cl. .... D19/62

[58] Field of Search ..... D19/59, 62; 32/71;  
132/89, 91, 92

[57] CLAIM

I claim the ornamental design for a dental hygiene  
teaching apparatus or the like, as shown and described.

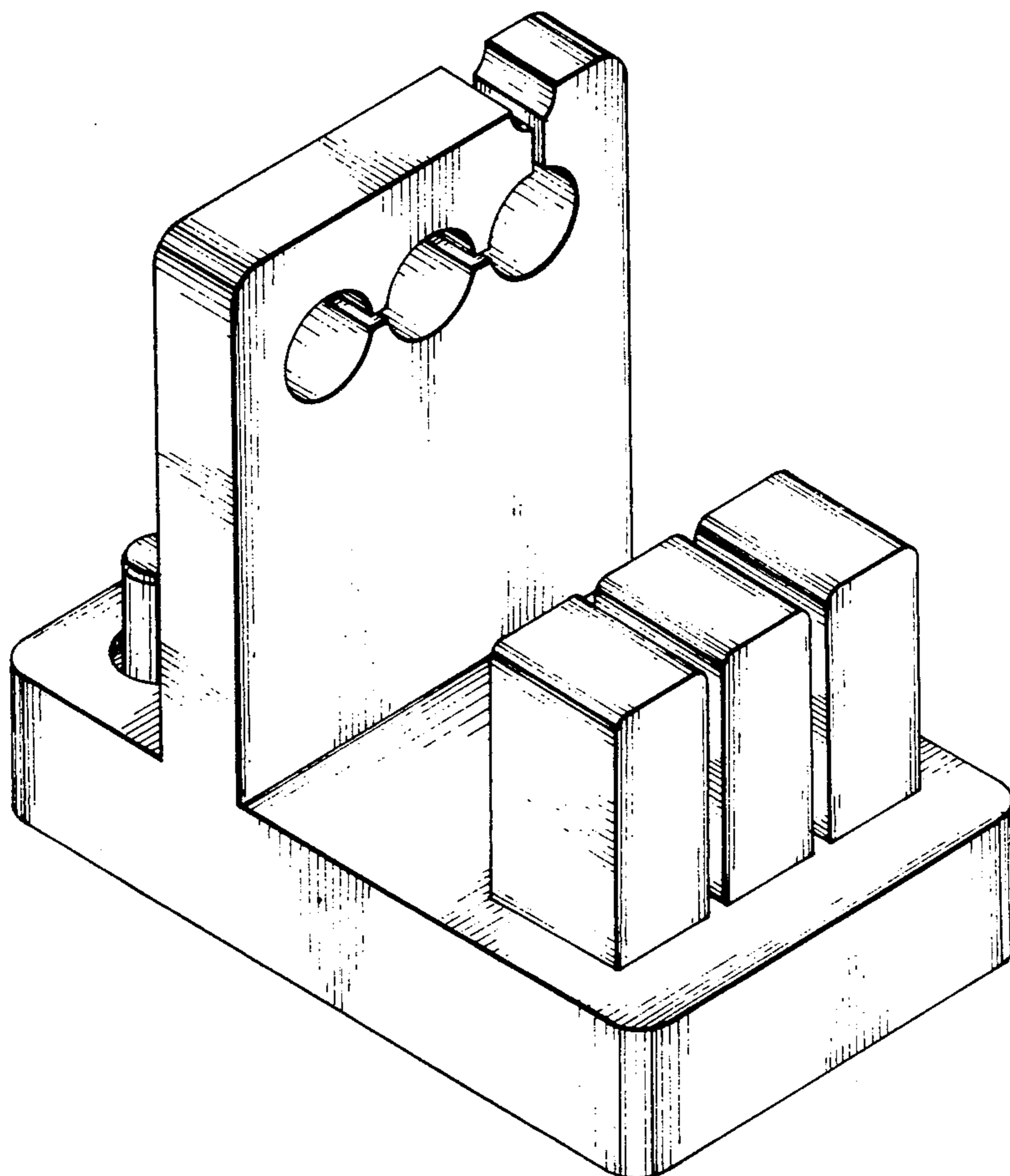
DESCRIPTION

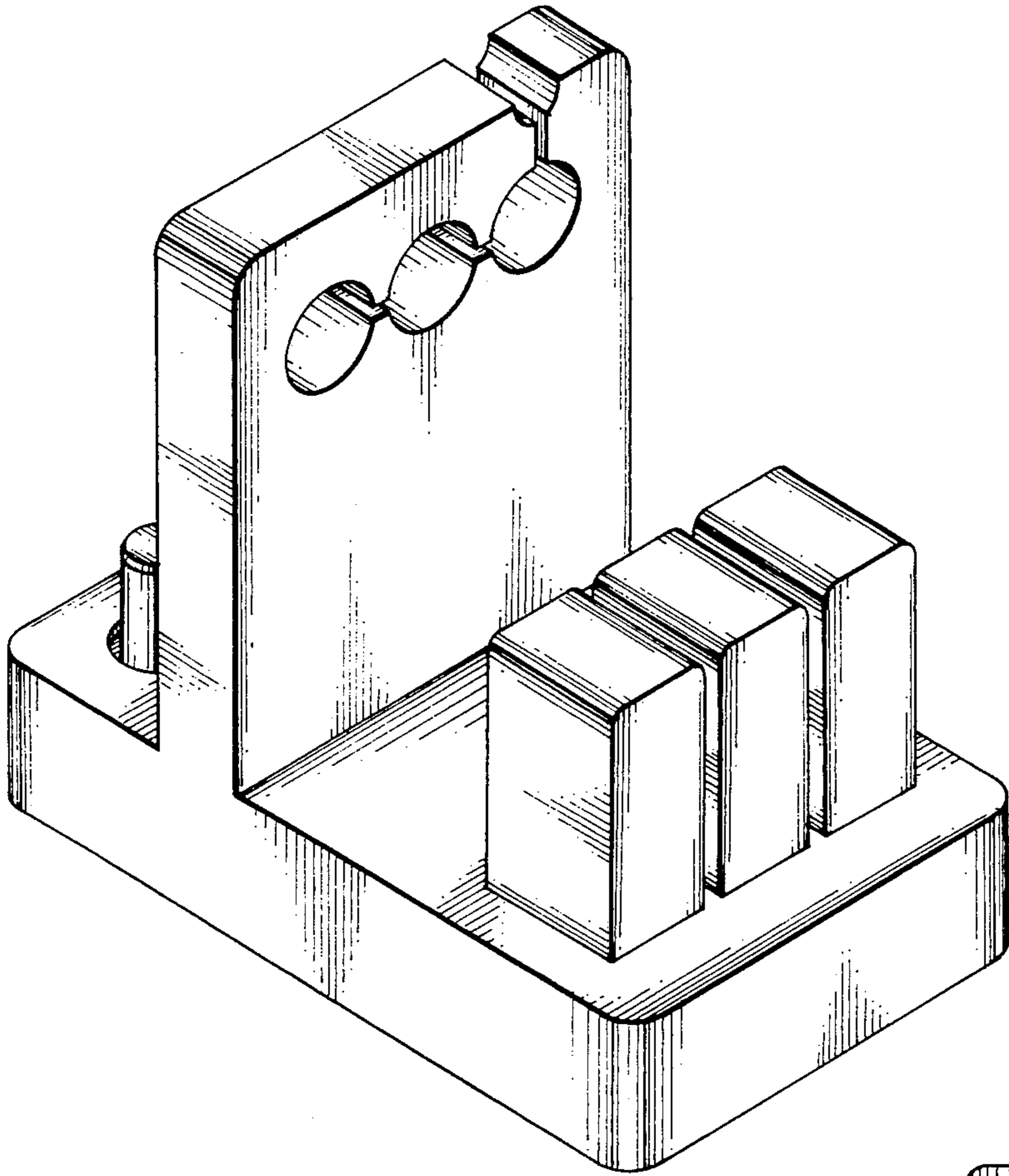
FIG. 1 is a front perspective view of a dental hygiene  
teaching apparatus showing my new design;  
FIG. 2 is a side elevational view thereof.  
FIG. 3 is an end elevational view.  
FIG. 4 is a rear perspective view thereof.  
FIG. 5 is a plan view thereof.  
FIG. 6 is an end elevational view thereof.

[56] References Cited  
U.S. PATENT DOCUMENTS

3,740,854 6/1973 Black ..... 32/71

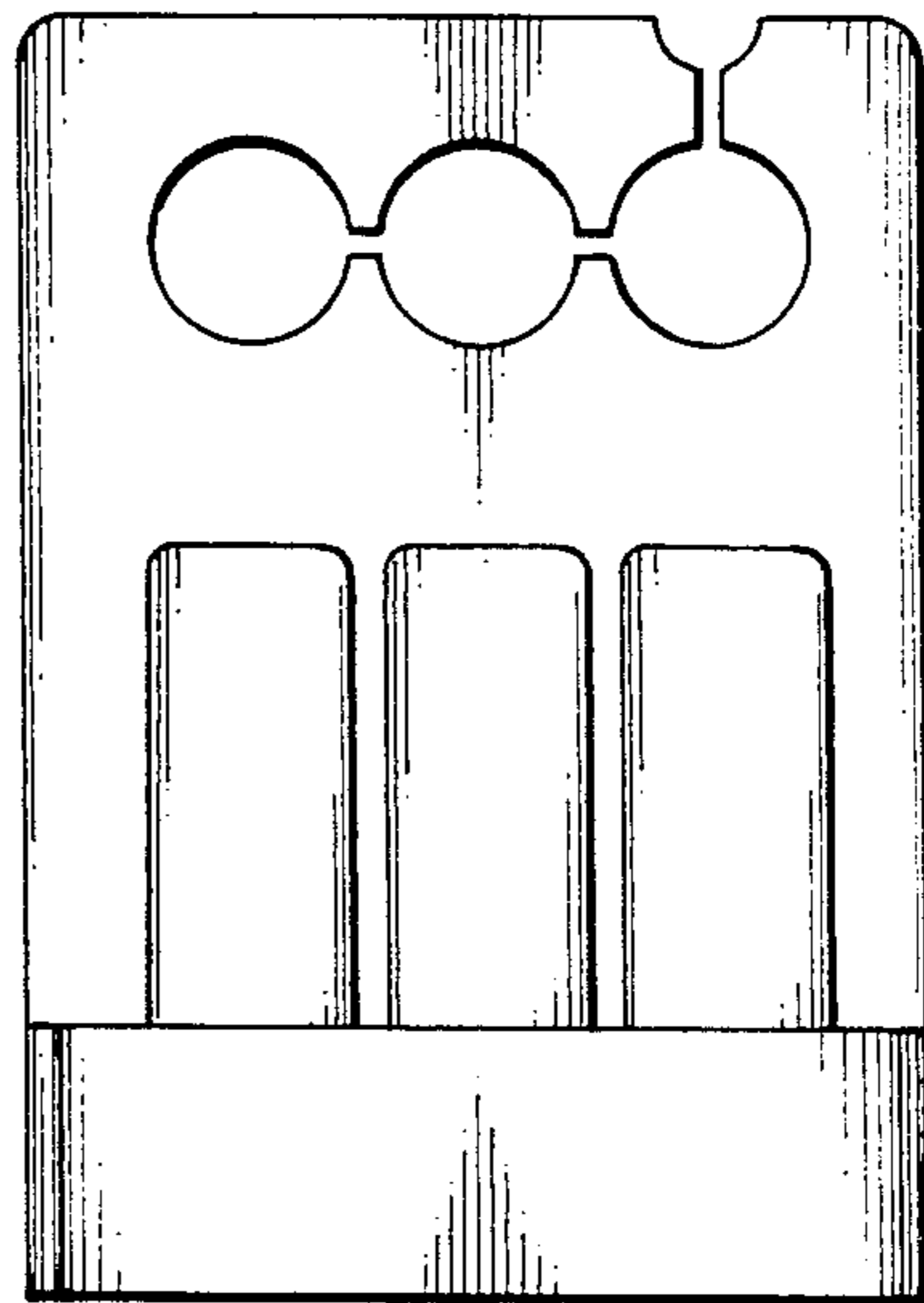
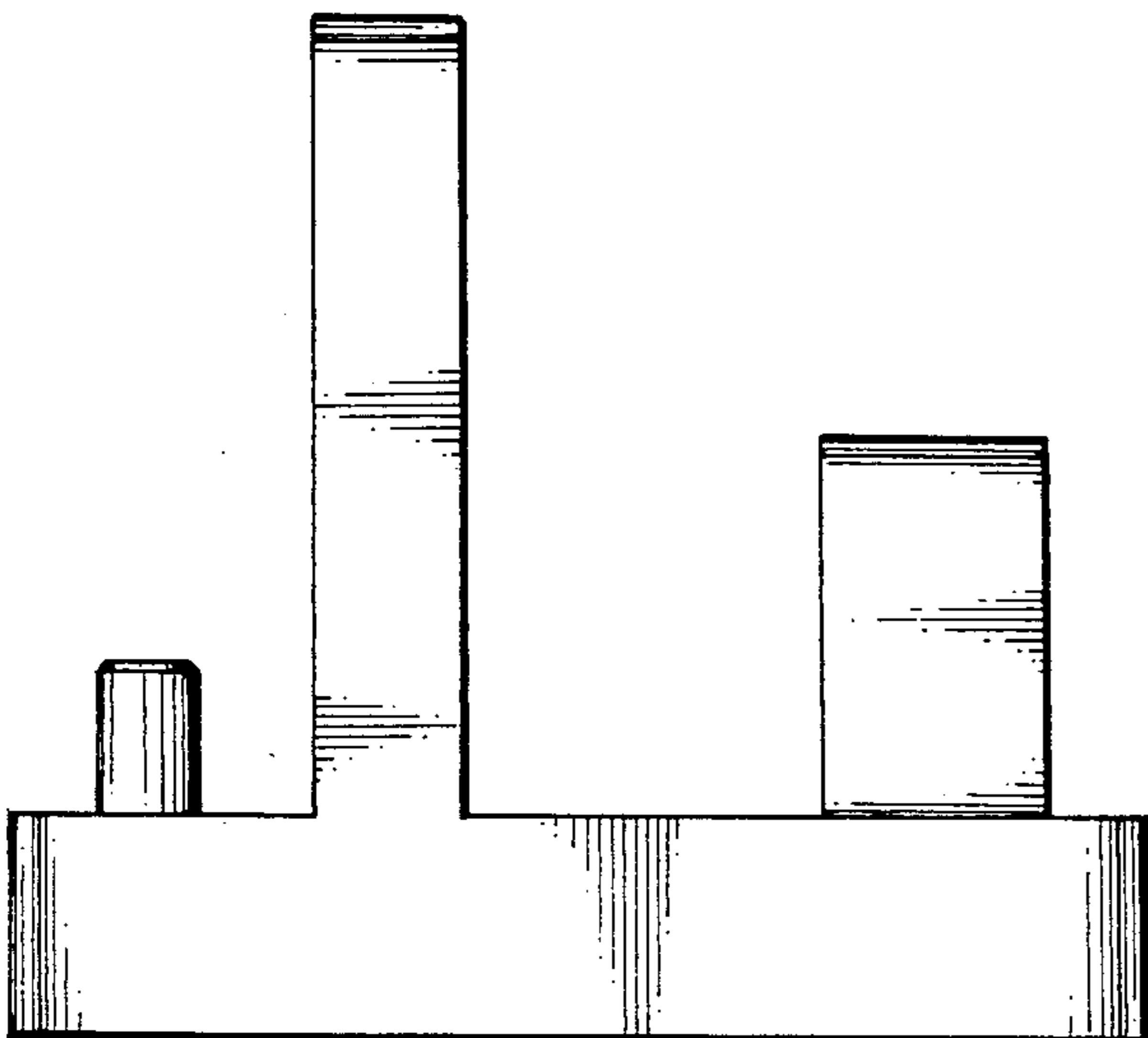
This invention is related to the subject matter of U.S.  
patent application Ser. No. 617,670 for Dental Hygiene  
Demonstration Apparatus filed Sep. 29, 1975 by the  
inventor herein.



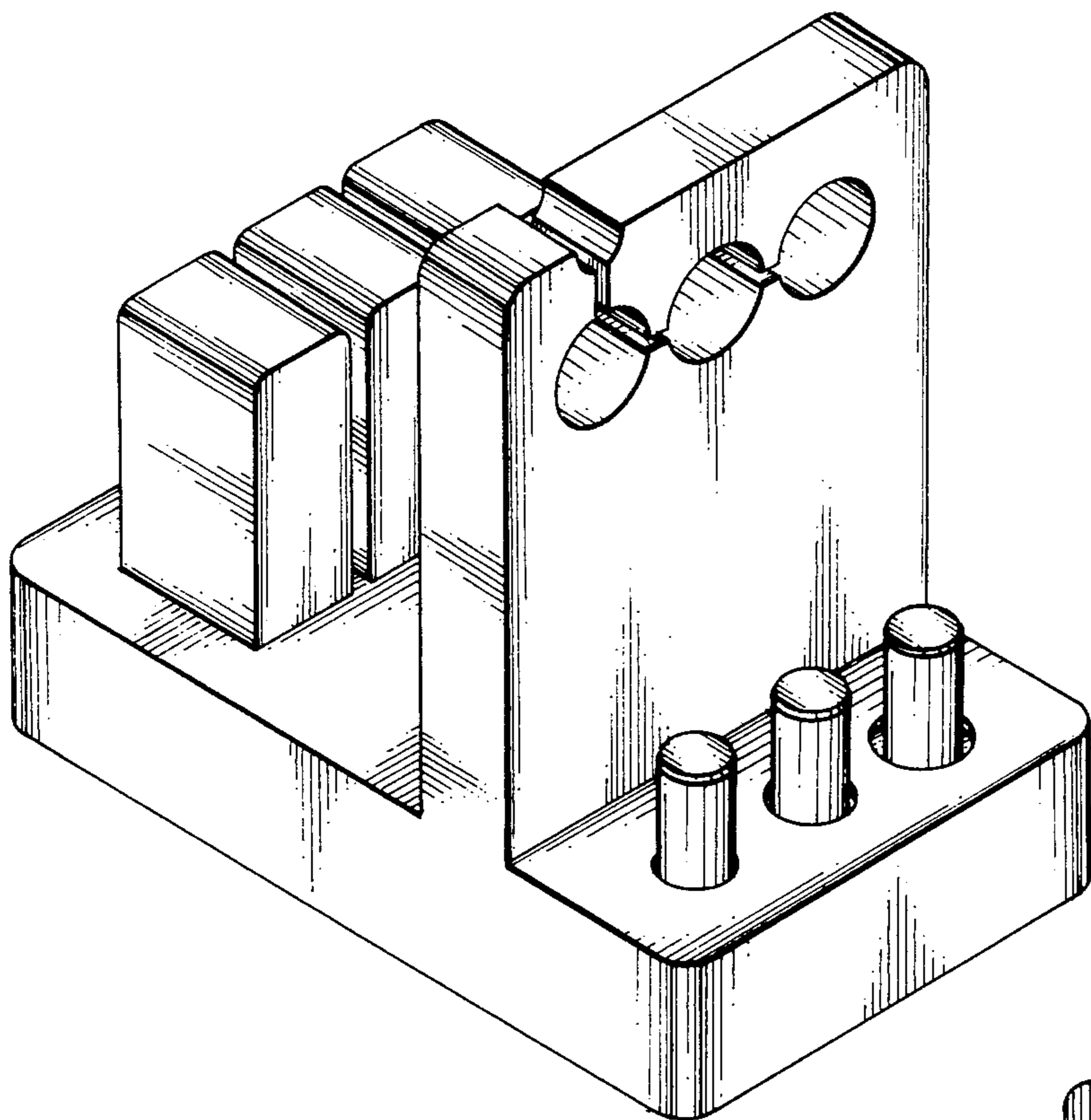


*Fig. 1.*

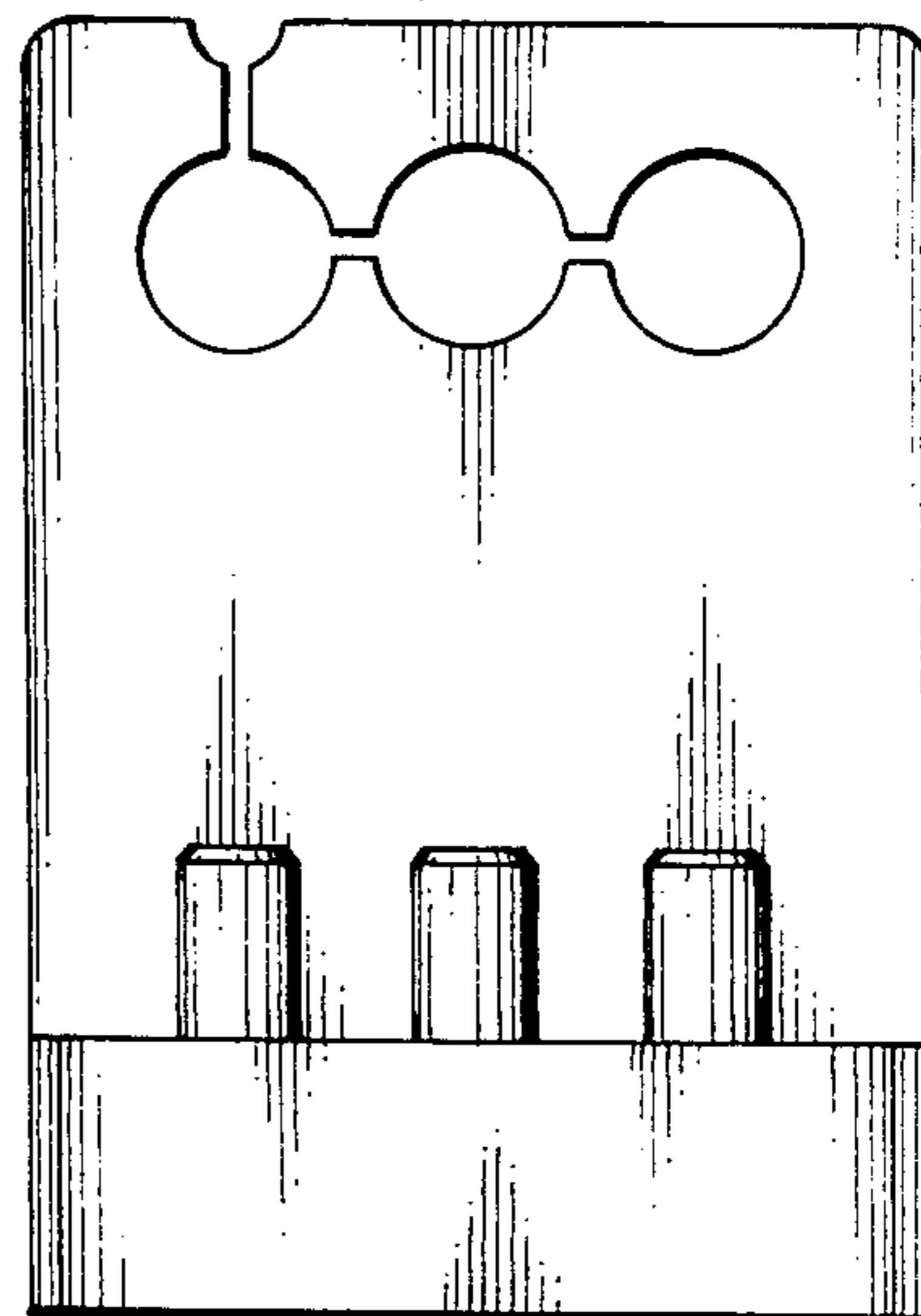
*Fig. 2.*



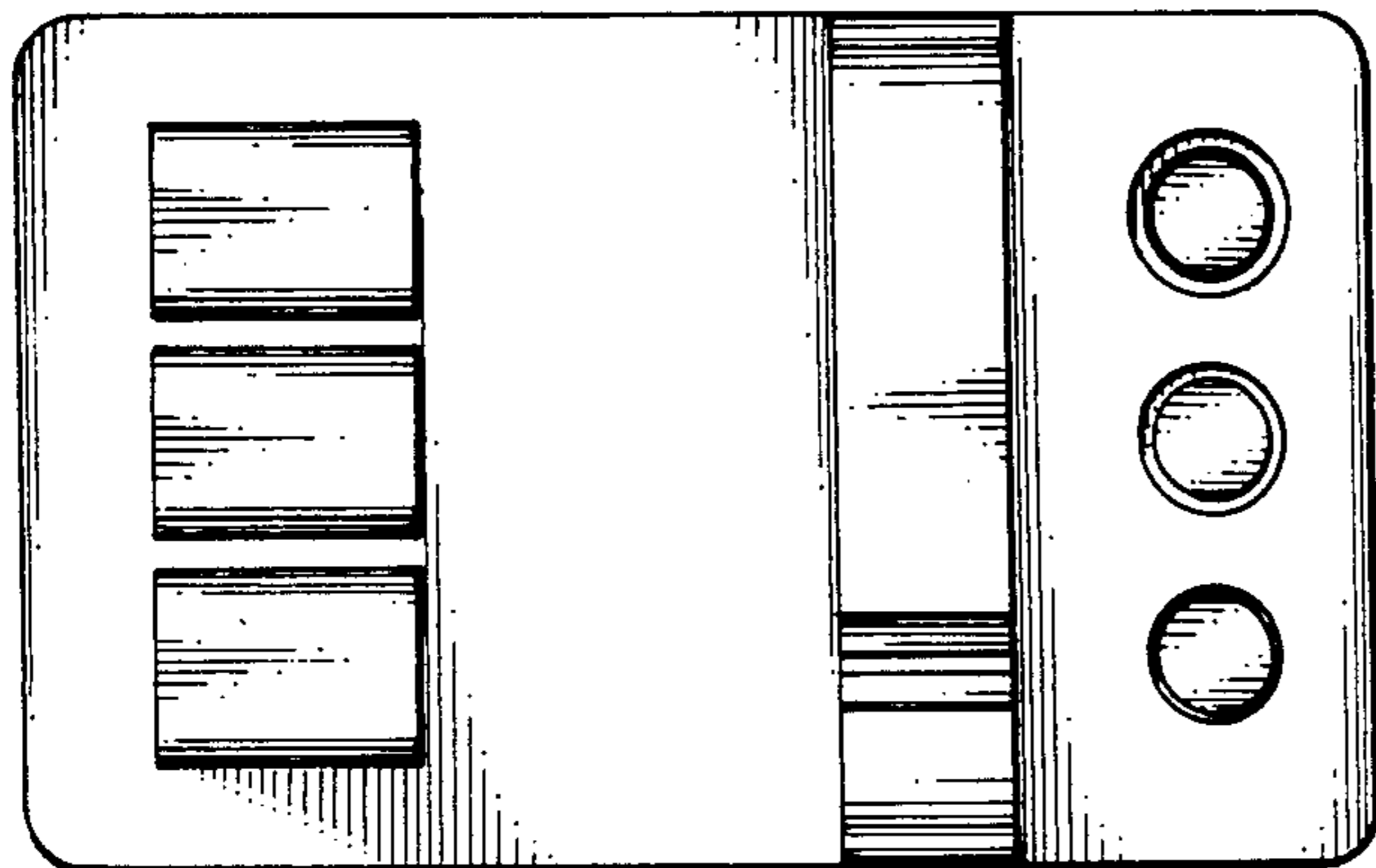
*Fig. 3.*



*Fig. 4.*



*Fig. 5.*



*Fig. 6.*