

- [54] **MICROFILM RECORDER OR SIMILAR ARTICLE**
- [75] Inventors: **Robert L. Kearney**, Northbrook;
Eugene Sather, Deerfield, both of Ill.
- [73] Assignee: **Bell & Howell Company**, Chicago, Ill.
- [**] Term: **14 Years**
- [21] Appl. No.: **697,601**
- [22] Filed: **Jun. 18, 1976**

Related U.S. Application Data

- [63] Continuation-in-part of Ser. No. 535,330, Dec. 23, 1974, abandoned.
- [51] Int. Cl. **D16-03**
- [52] U.S. Cl. **D16/31**
- [58] Field of Search **D16/1, 2, 27, 28, 31;**
D64/11 B; 353/22, 25, 26, 27, 74, 75, 79, 119;
355/3 R, 64, 65, 67, 70, 71, 24

- [56] **References Cited**
- U.S. PATENT DOCUMENTS**
- D. 197,540 2/1964 Knowles D16/31
- D. 200,984 4/1965 Knowles D16/31
- D. 202,668 10/1965 Obergfell D16/31
- D. 210,752 4/1968 Austin D16/31
- 3,342,100 9/1967 Maloney et al. 355/65 X

Primary Examiner—Wallace R. Burke
Assistant Examiner—Catherine E. Kemper
Attorney, Agent, or Firm—Robert A. Walsh

[57] **CLAIM**

The ornamental design for a microfilm recorder or similar article, as shown and described.

DESCRIPTION

FIG. 1 is a front perspective view of a microfilm recorder or similar article showing our new design.
 FIG. 2 is a front elevational view thereof.
 FIG. 3 is a top plan view thereof.
 FIG. 4 is a bottom plan view thereof.
 FIG. 5 is a left side plan view thereof.
 FIG. 6 is a rear plan view thereof.

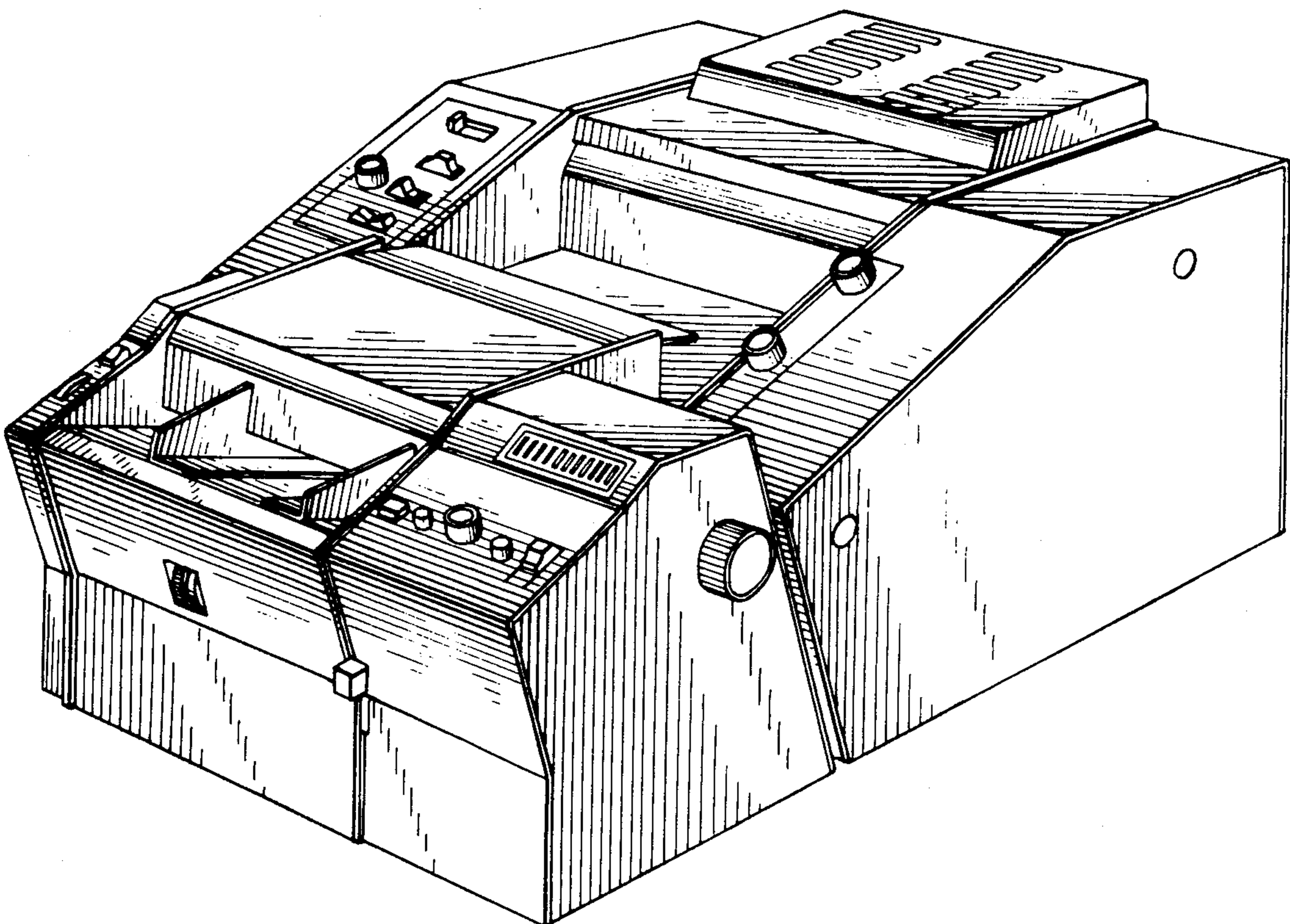


Fig. 1.

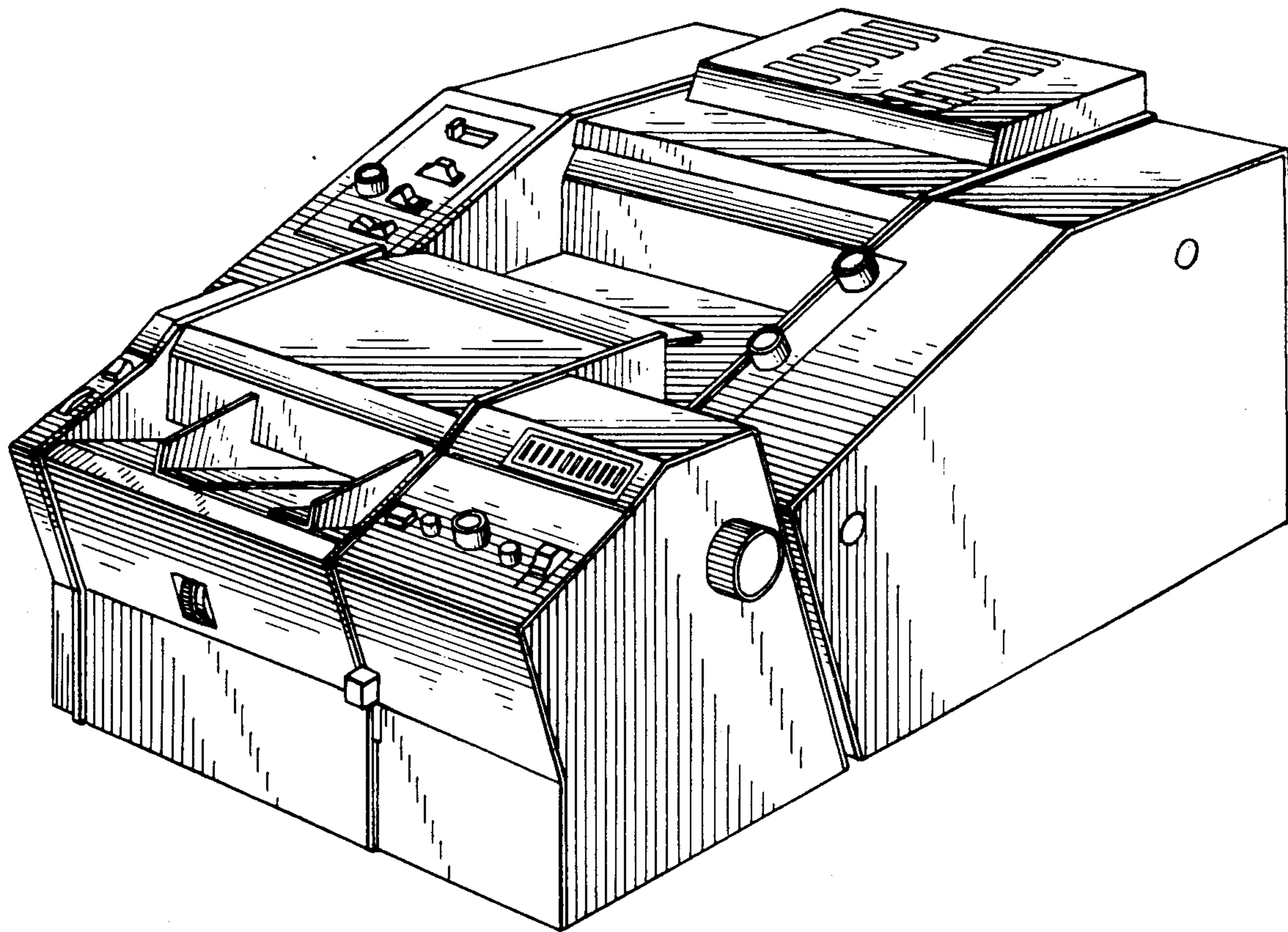


Fig. 2.

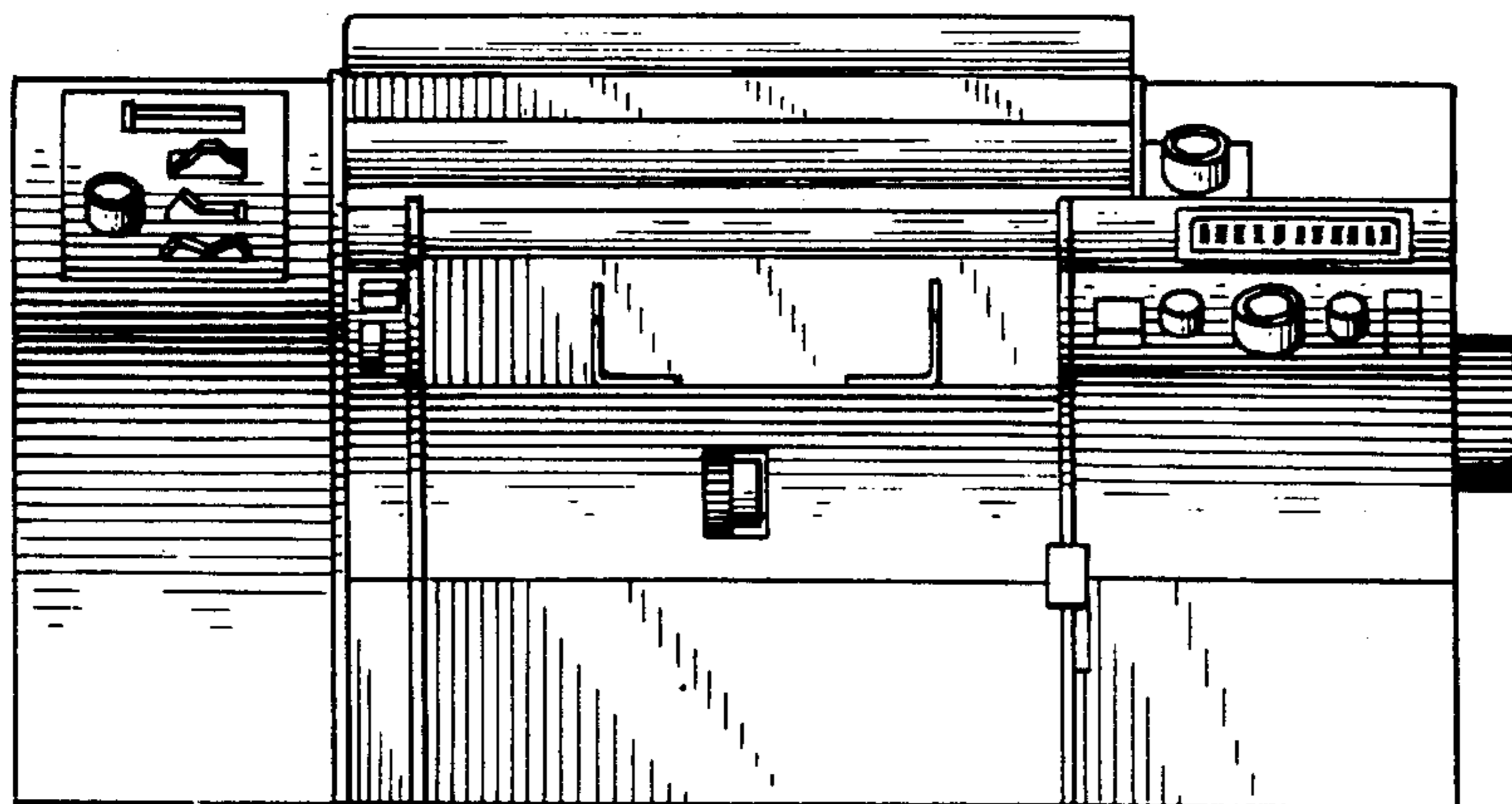


Fig. 3.

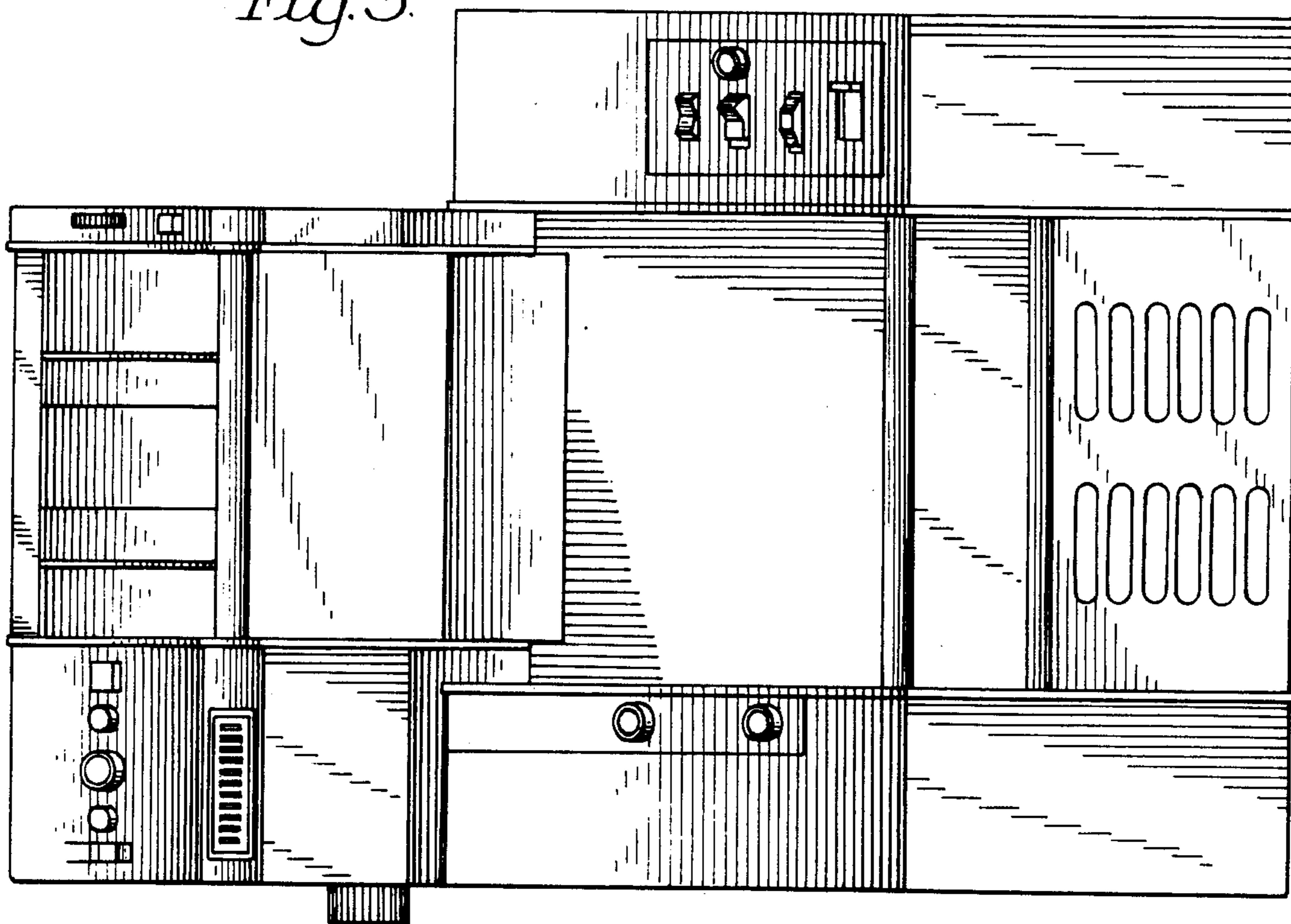


Fig. 4.

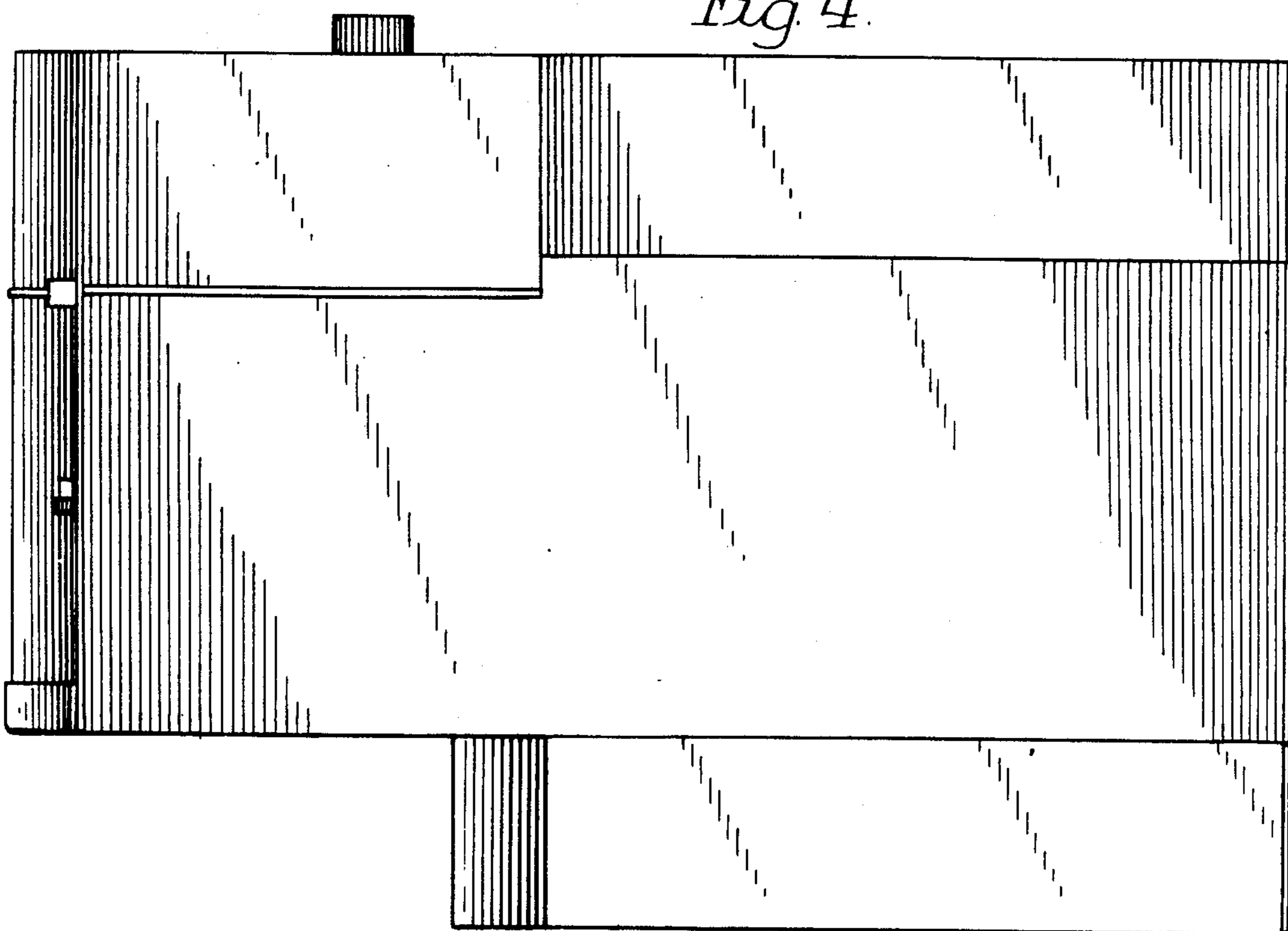


Fig. 5.

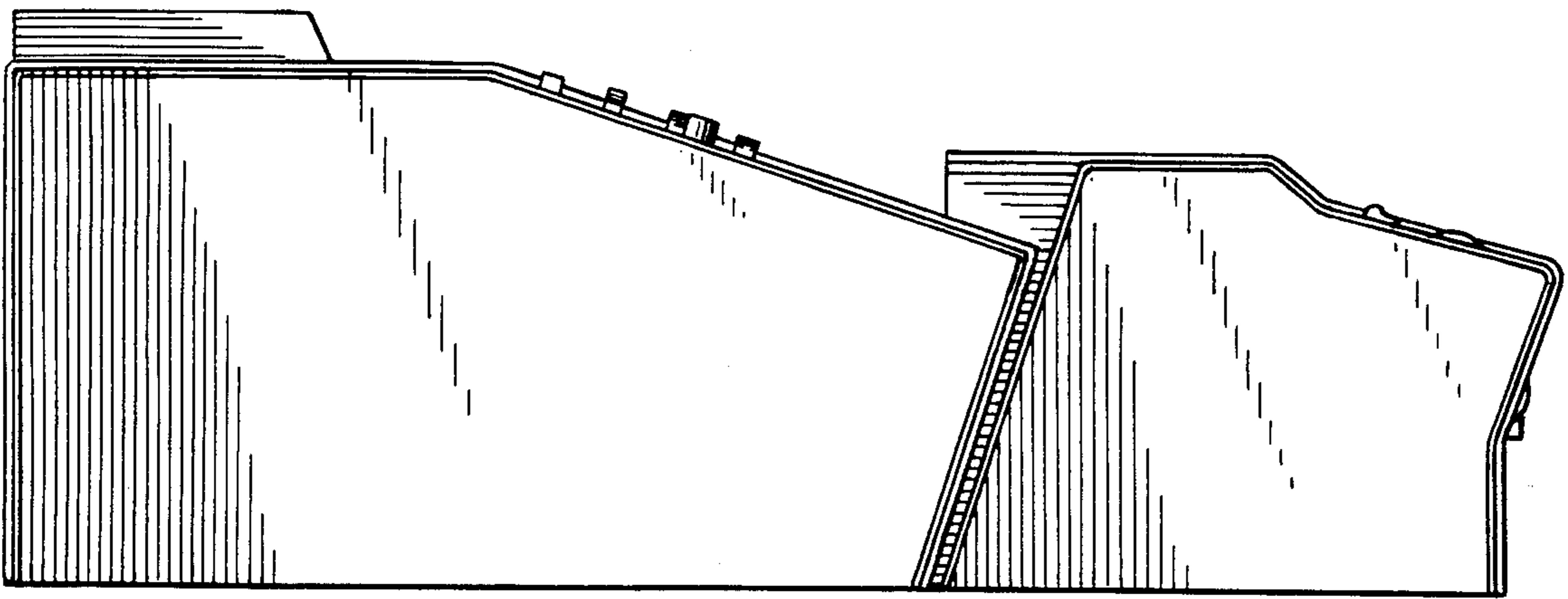


Fig. 6.

