

[54] MICROFILM READER OR SIMILAR ARTICLE

3,586,430 6/1971 Rempala D16/14 X

[75] Inventor: Thomas J. Persha, Juneau, Wis.

[73] Assignee: Bell & Howell Company, Chicago, Ill.

[**] Term: 14 Years

[21] Appl. No.: 707,901

[22] Filed: Jul. 22, 1976

[51] Int. Cl. D16-03

[52] U.S. Cl. D16/14

[58] Field of Search D16/14, 28; 353/22, 353/25, 26, 27, 74, 75, 79, 119; 40/106.1

[56] References Cited

U.S. PATENT DOCUMENTS

D. 220,657	5/1971	Christofferson et al.	D16/14
3,446,552	5/1969	Gross et al.	D16/14 X
3,511,564	5/1970	Gawin et al.	D16/14 X

OTHER PUBLICATIONS

Industrial Research-Dec. 1967-p. 95-Thomas Micro-Catalogs-Microfiche Reader.

Micro Design RP 650 Reader-Printer Flyer - © 1976.

Primary Examiner-Wallace R. Burke

Assistant Examiner-Catherine E. Kemper

Attorney, Agent, or Firm-Robert A. Walsh

[57] CLAIM

The ornamental design for a microfilm reader or similar article, as shown.

DESCRIPTION

FIG. 1 is a front plan view of a microfilm reader or similar article showing my new design.

FIG. 2 is a right side elevational view thereof.

FIG. 3 is a bottom plan view thereof.

FIG. 4 is a top plan view thereof.

FIG. 5 is a rear elevational view thereof.

FIG. 6 is a left side elevational view thereof.

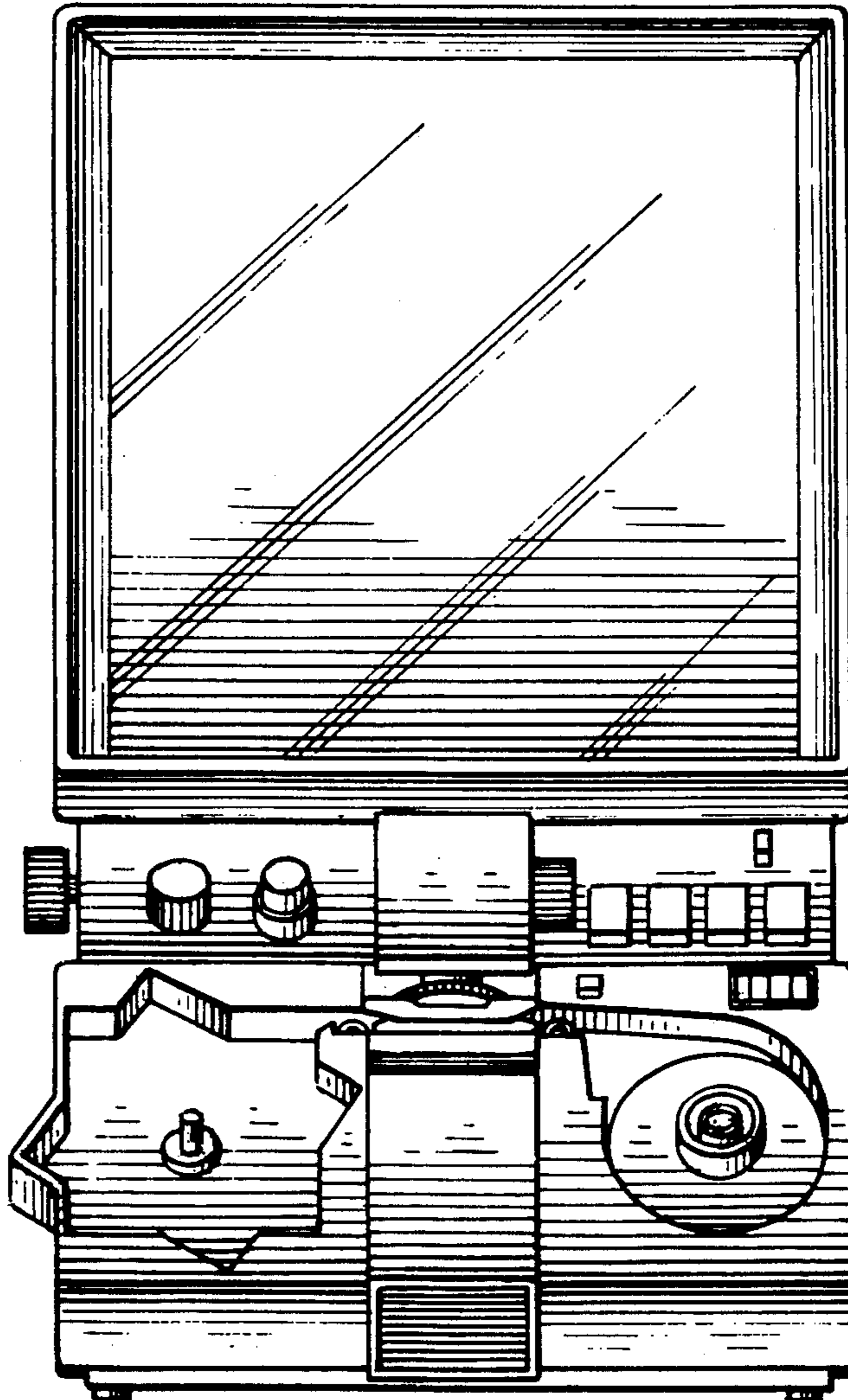


Fig. 1.

Fig. 2.

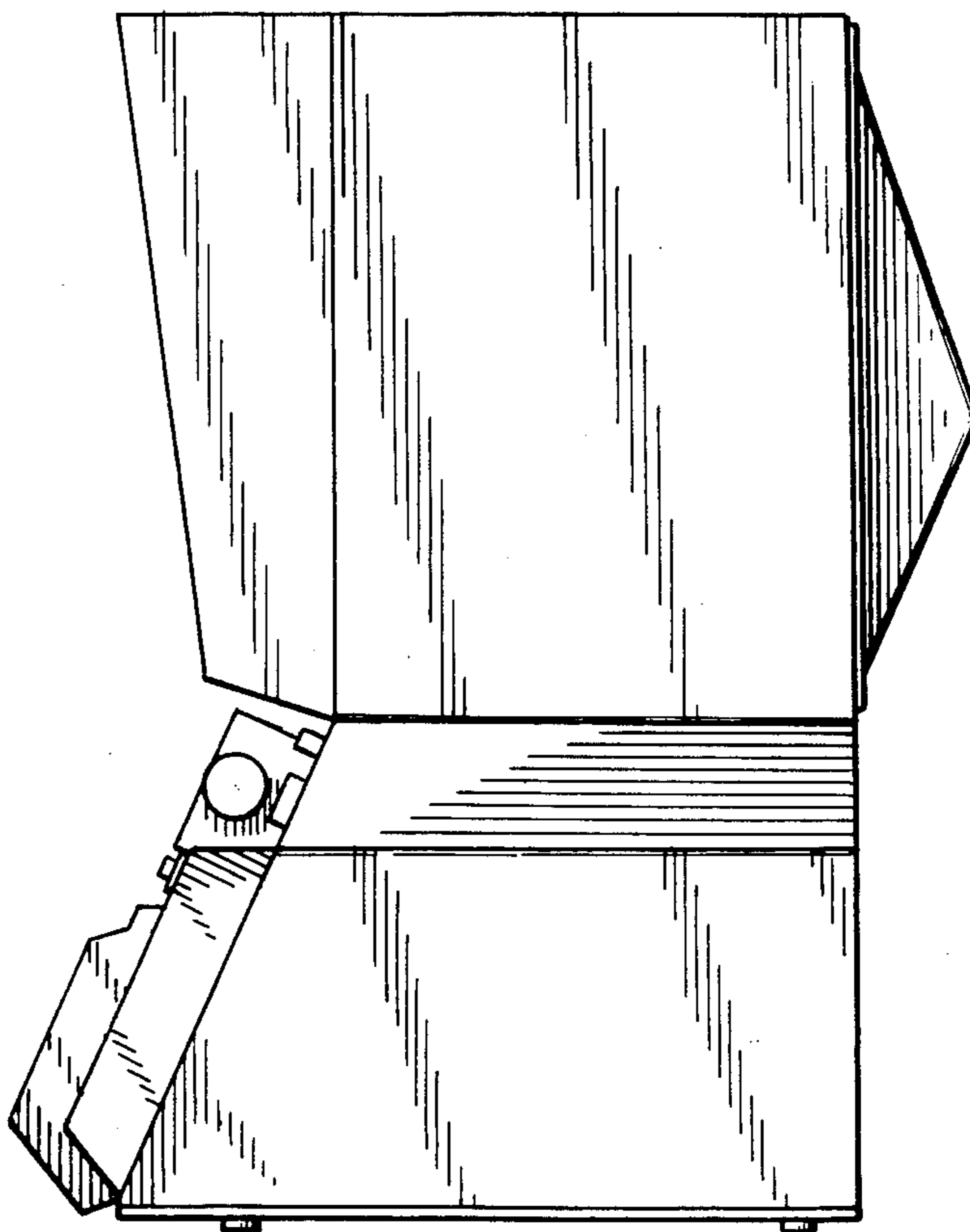
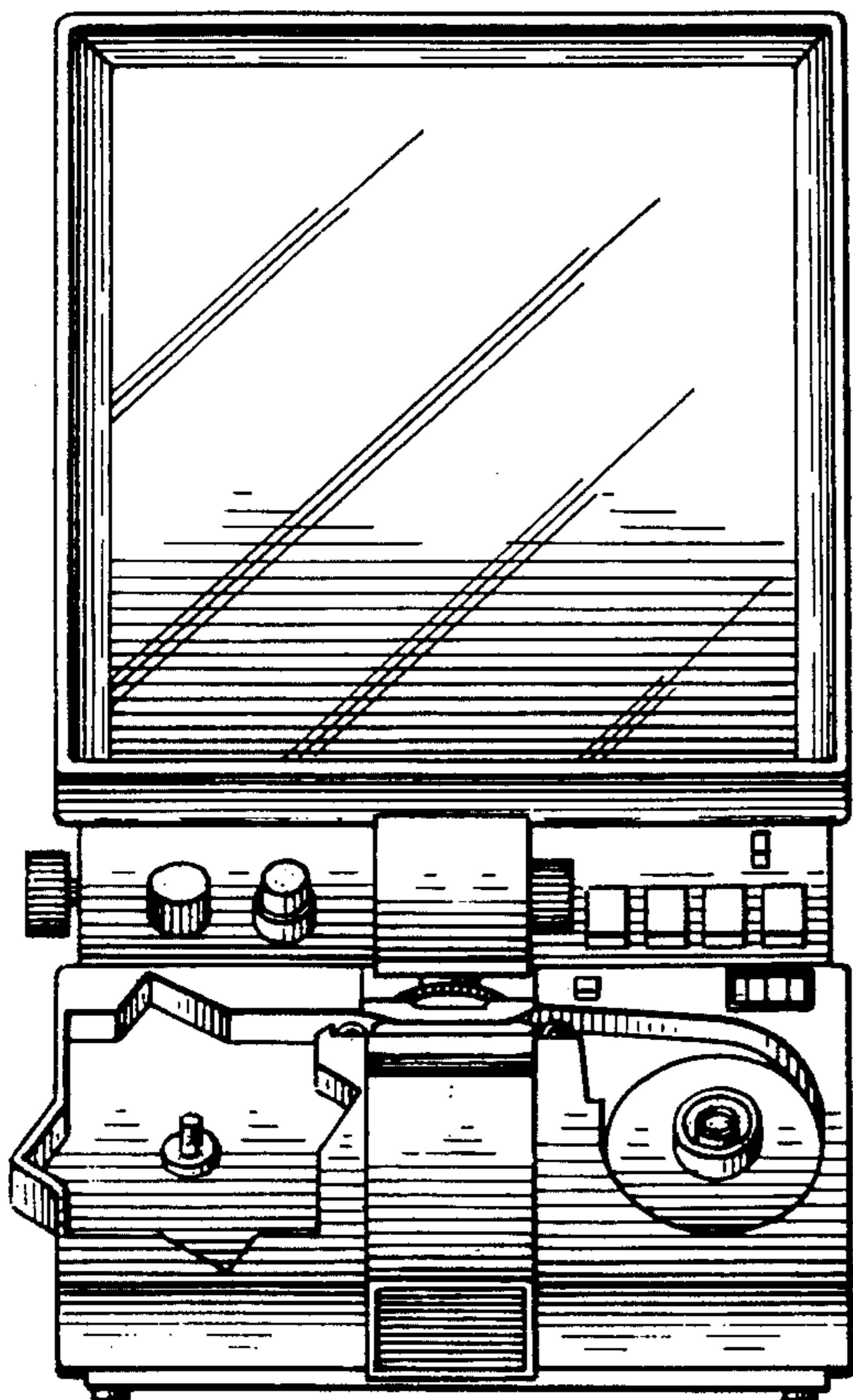


Fig. 3.

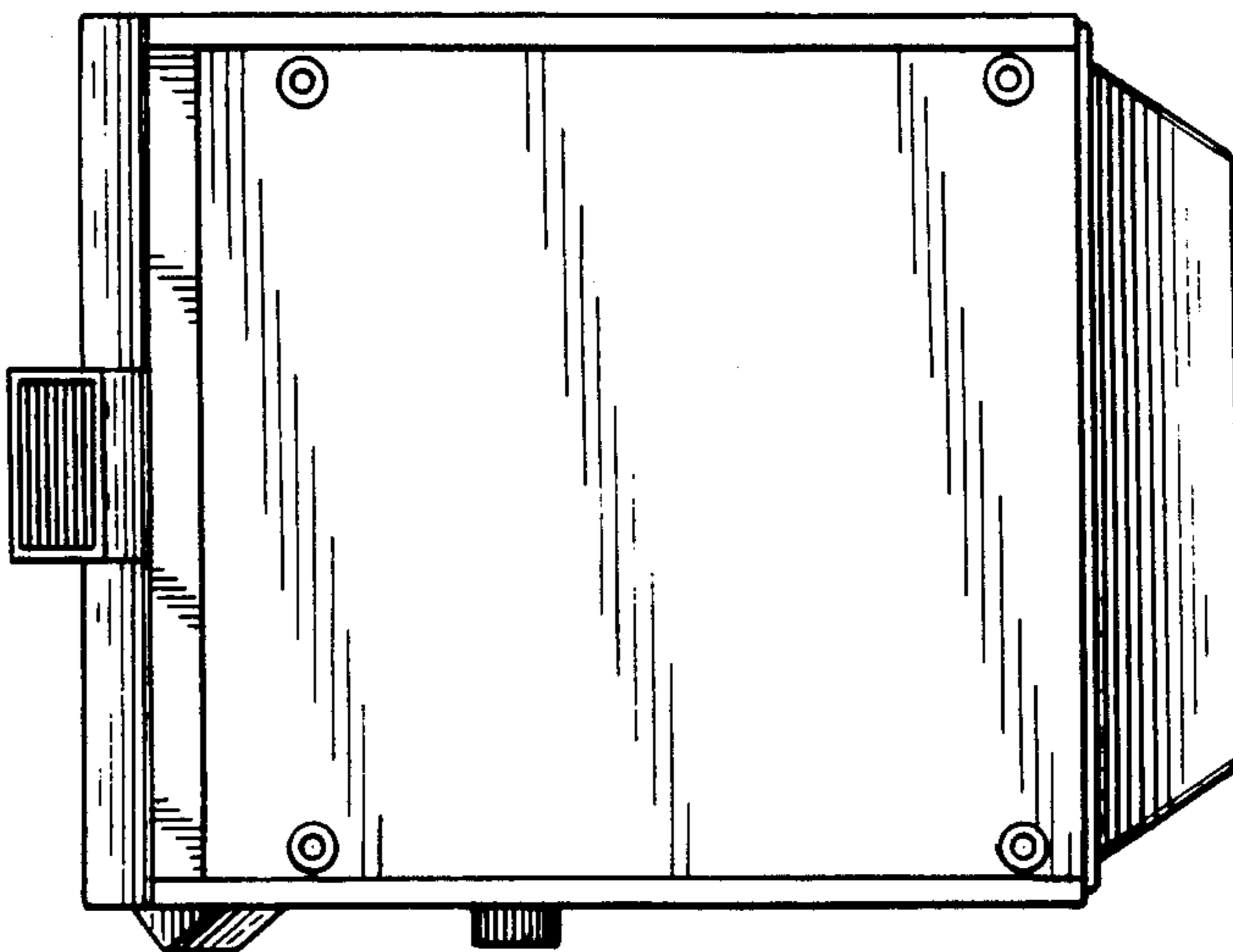


Fig. 4.

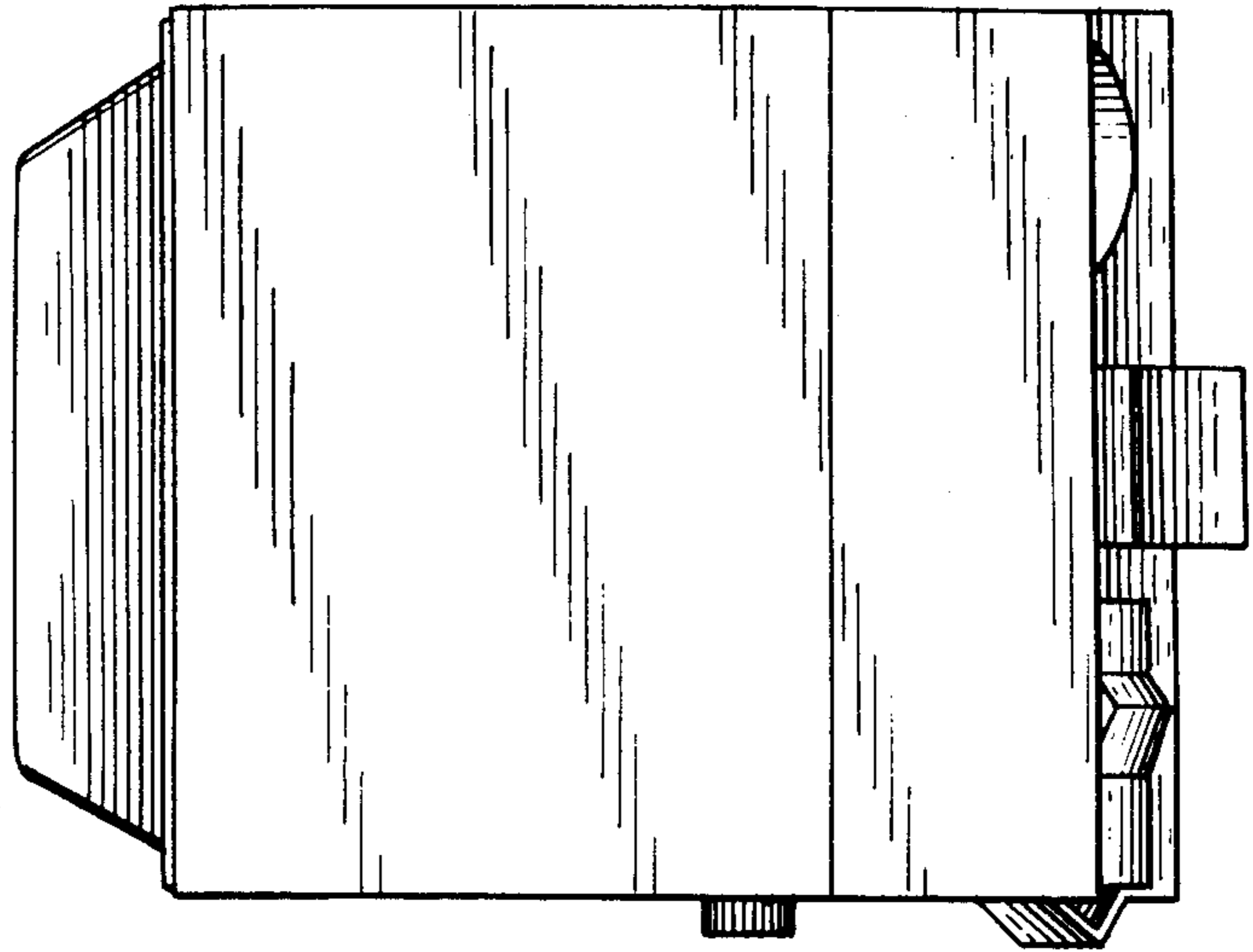


Fig. 5.

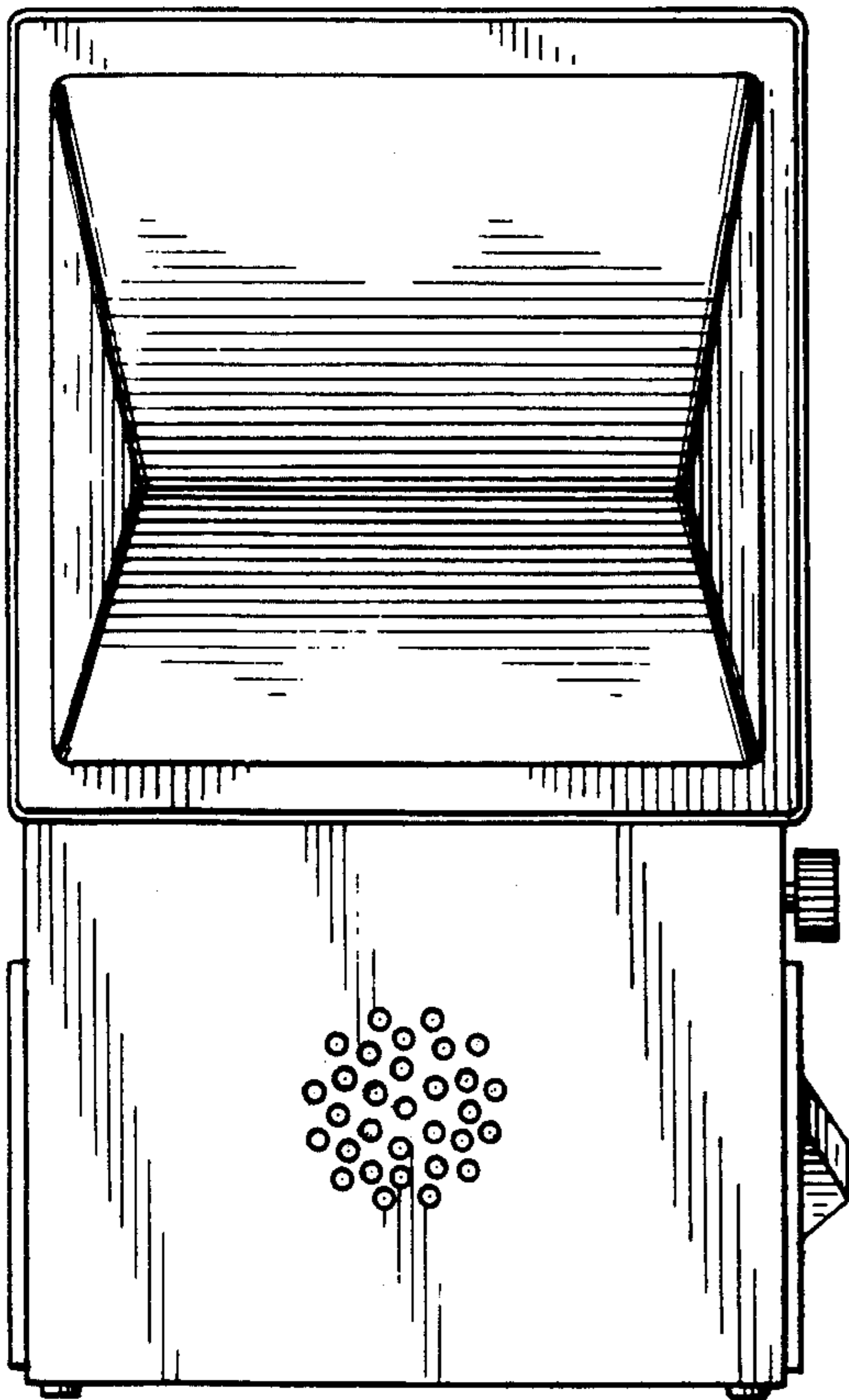


Fig. 6.

