

[54] SEWING MACHINE FRAME OR SIMILAR ARTICLE

[75] Inventors: Donald Michael Genaro, Haworth, N.J.; Christian Julian Felix, Flushing, N.Y.; Nobert Thuring, Karlsruhe, Germany

[73] Assignee: The Singer Company

[**] Term: 14 Years

[21] Appl. No.: 676,083

[22] Filed: Apr. 12, 1976

[51] Int. Cl. D15-06

[52] U.S. Cl. D15/69

[58] Field of Search D15/66, 68-76, D15/78; D87/1 R

[56] References Cited

U.S. PATENT DOCUMENTS

D. 175,639 9/1955 Park D15/70

D. 215,623 10/1969 Kaiser D15/71
 D. 229,868 1/1974 Zanuso D15/69
 D. 232,266 7/1974 Current D15/69
 3,913,506 10/1975 Adams et al. D15/69

Primary Examiner—Joel Stearman
 Assistant Examiner—J. Corrigan
 Attorney, Agent, or Firm—Robert E. Smith

[57] CLAIM

The ornamental design for a sewing machine frame or similar article, substantially as shown.

DESCRIPTION

FIG. 1 is a front, top and left side perspective view of a sewing machine frame or similar article showing our new design;
 FIG. 2 is a rear, top and right side perspective view;
 FIG. 3 is a front elevational view;
 FIG. 4 is a rear elevational view;
 FIG. 5 is a left side elevational view;
 FIG. 6 is a right side elevational view;
 FIG. 7 is a top plan view; and
 FIG. 8 is a bottom plan view.

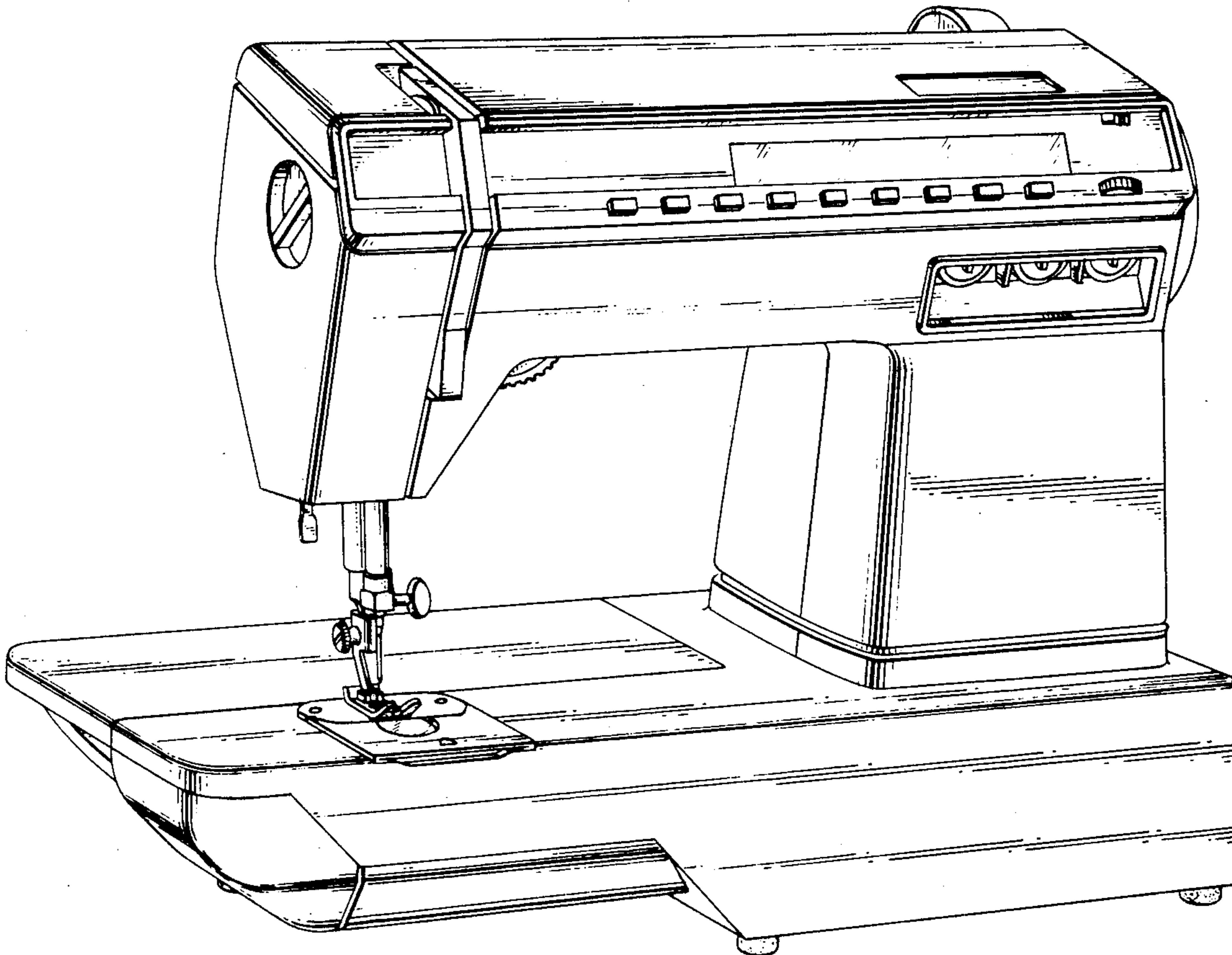


Fig. 1

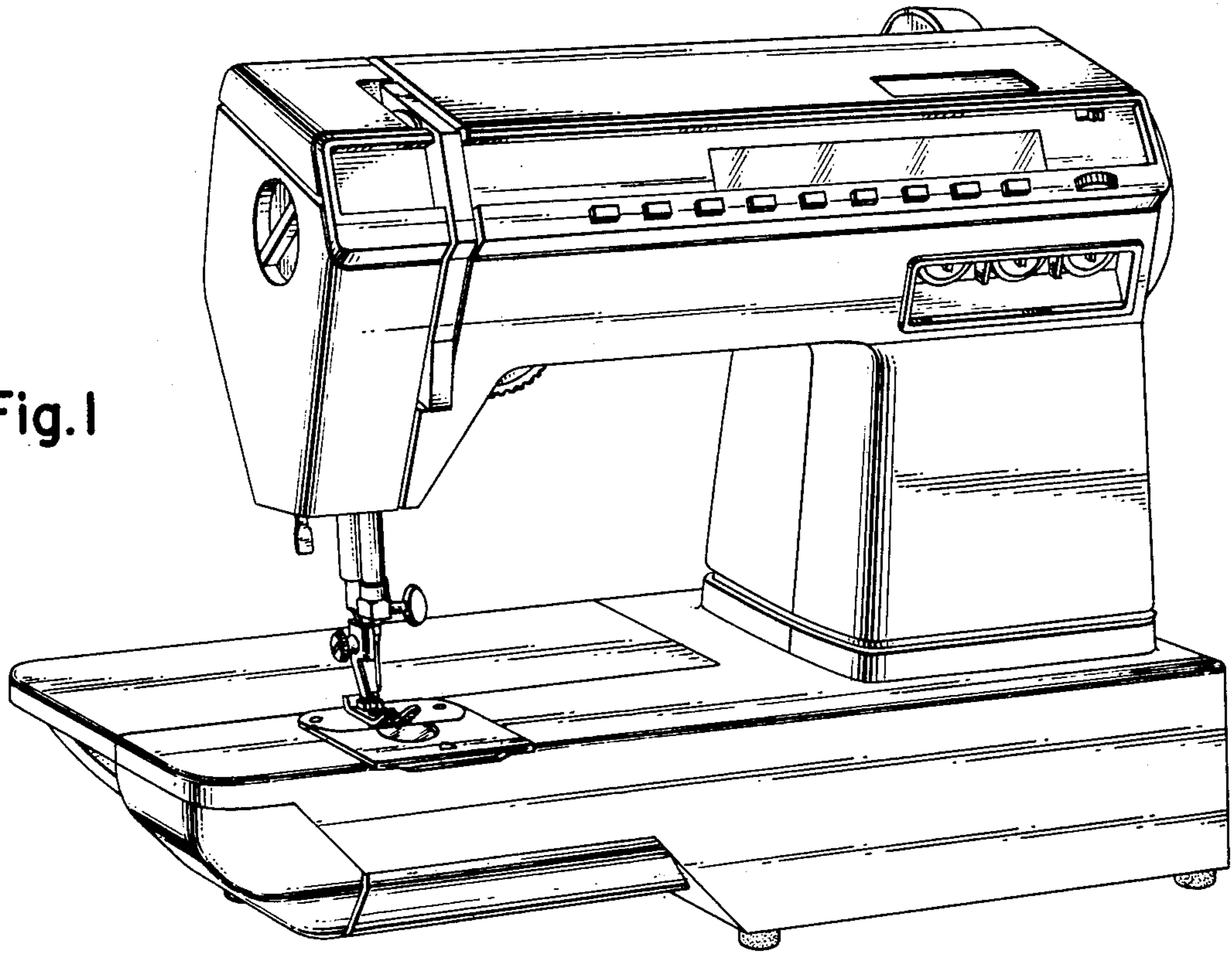
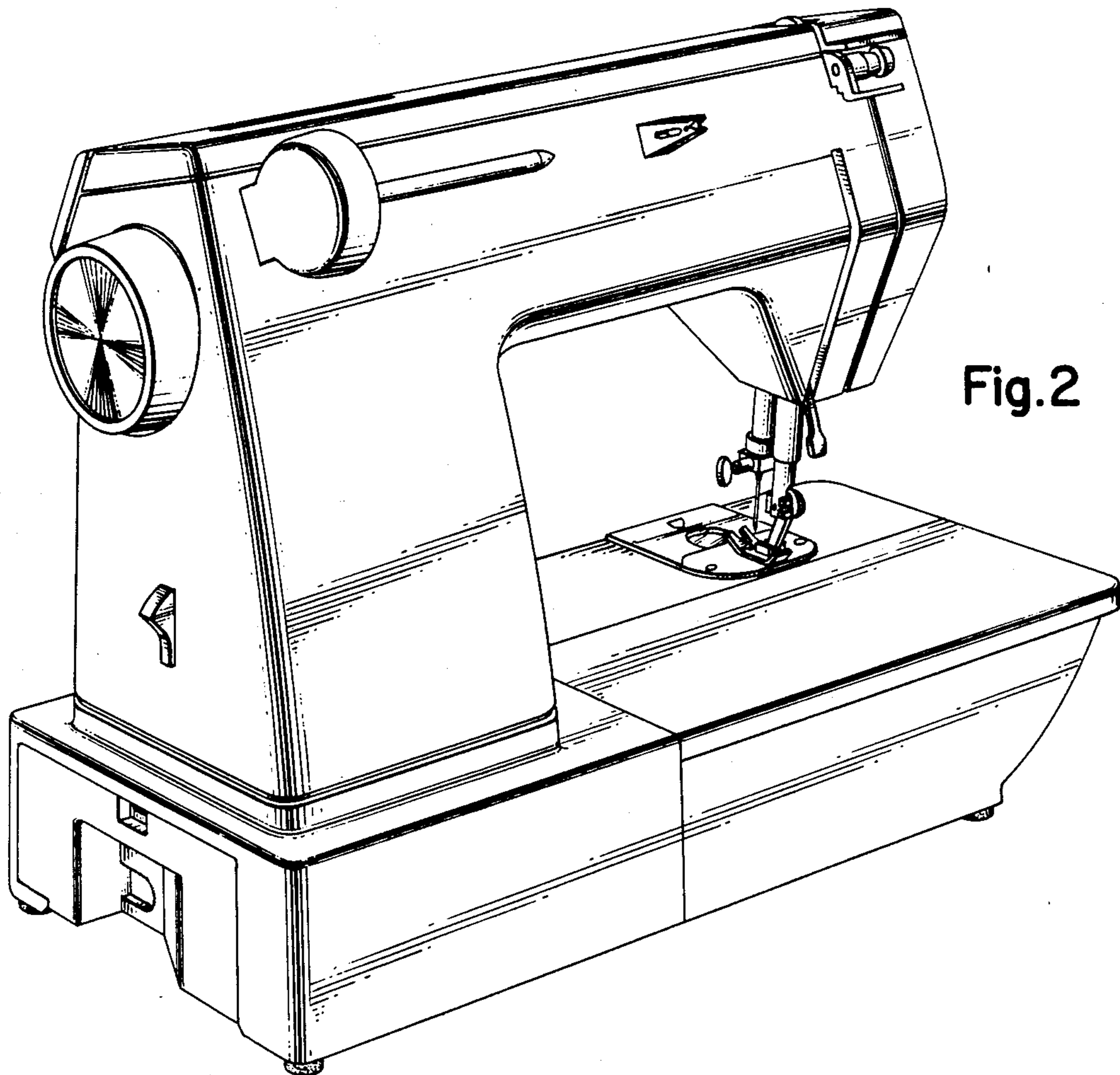


Fig. 2



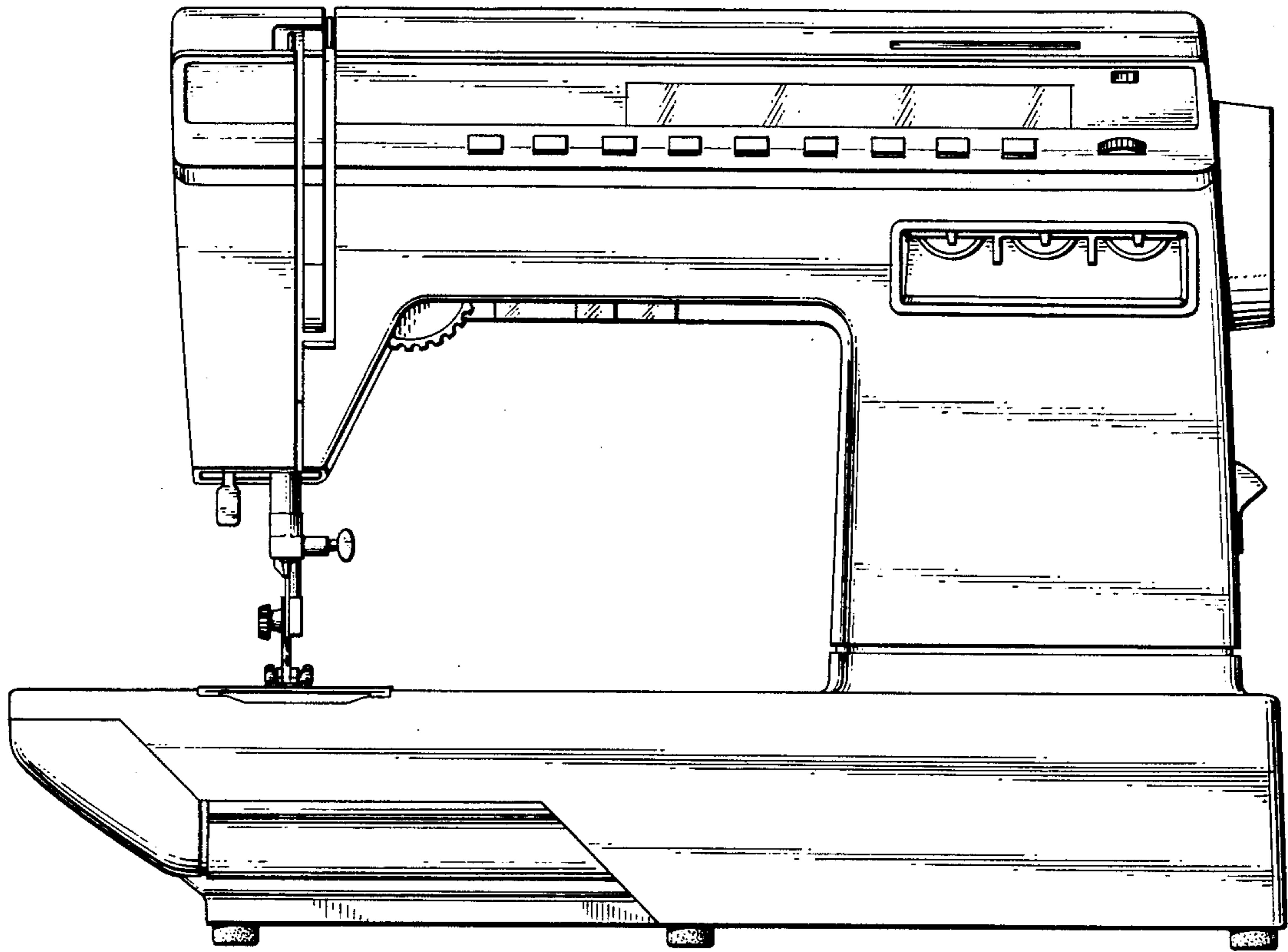


Fig. 3

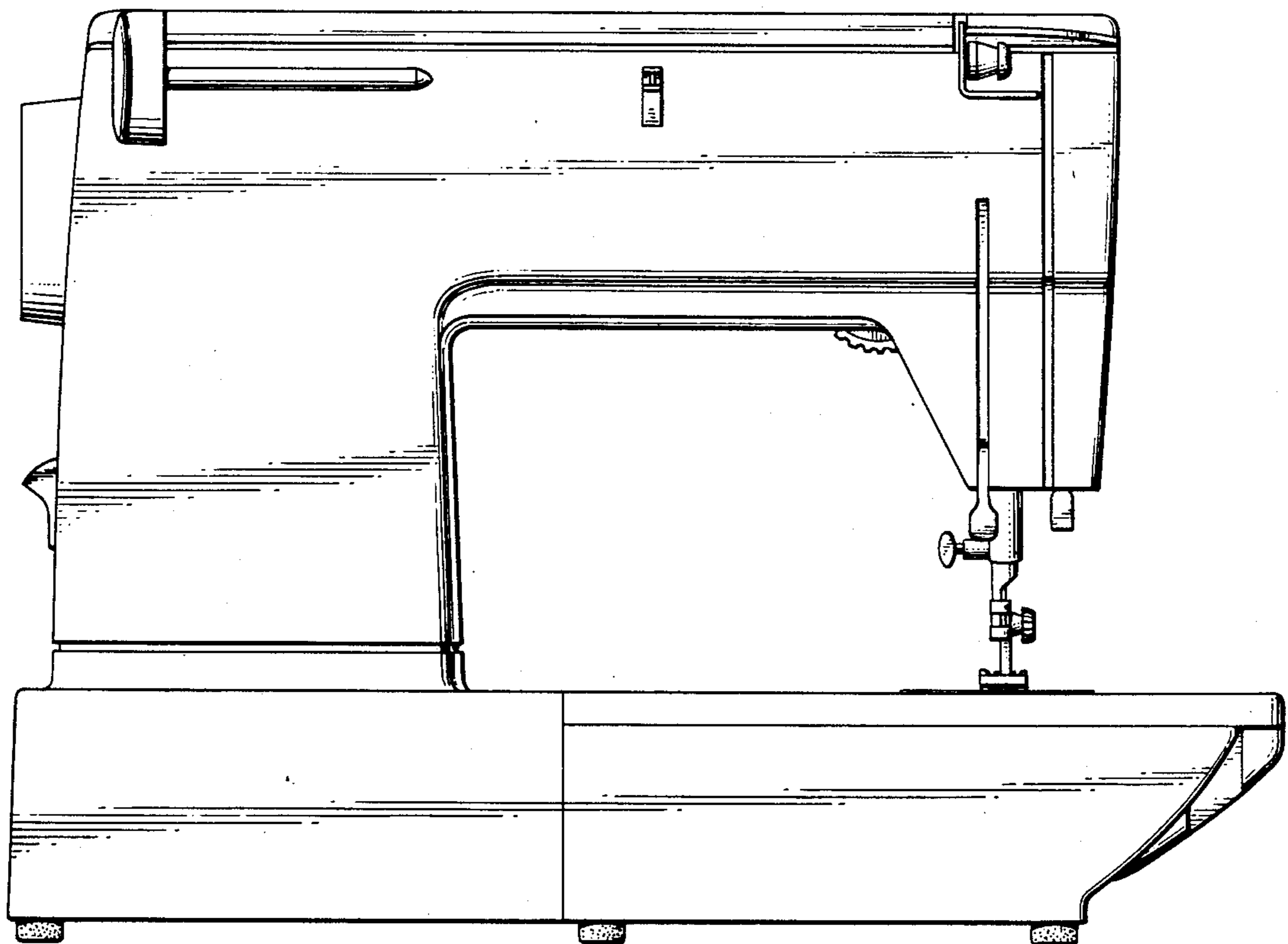


Fig. 4

Fig.5

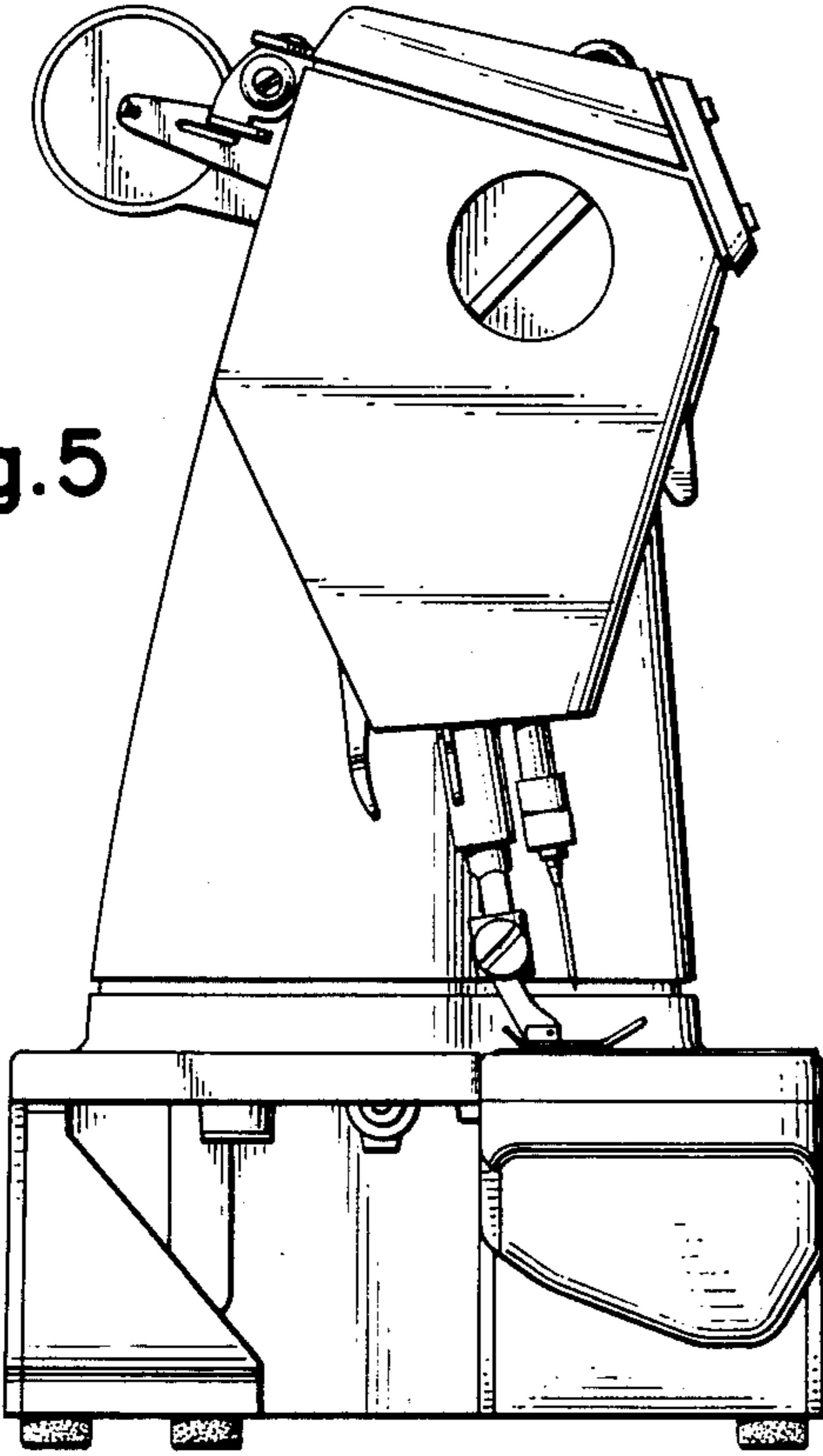


Fig.6

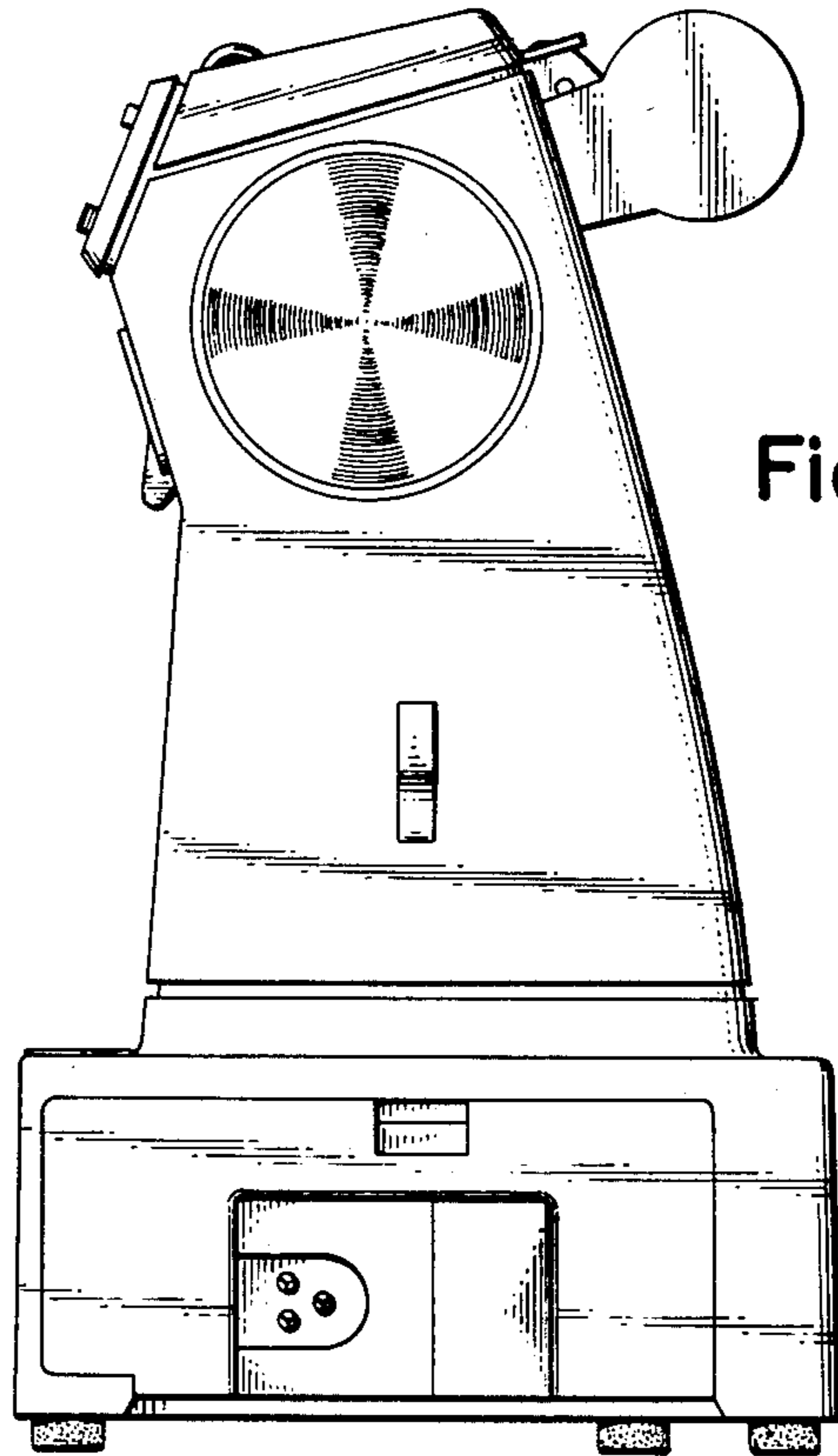


Fig.7

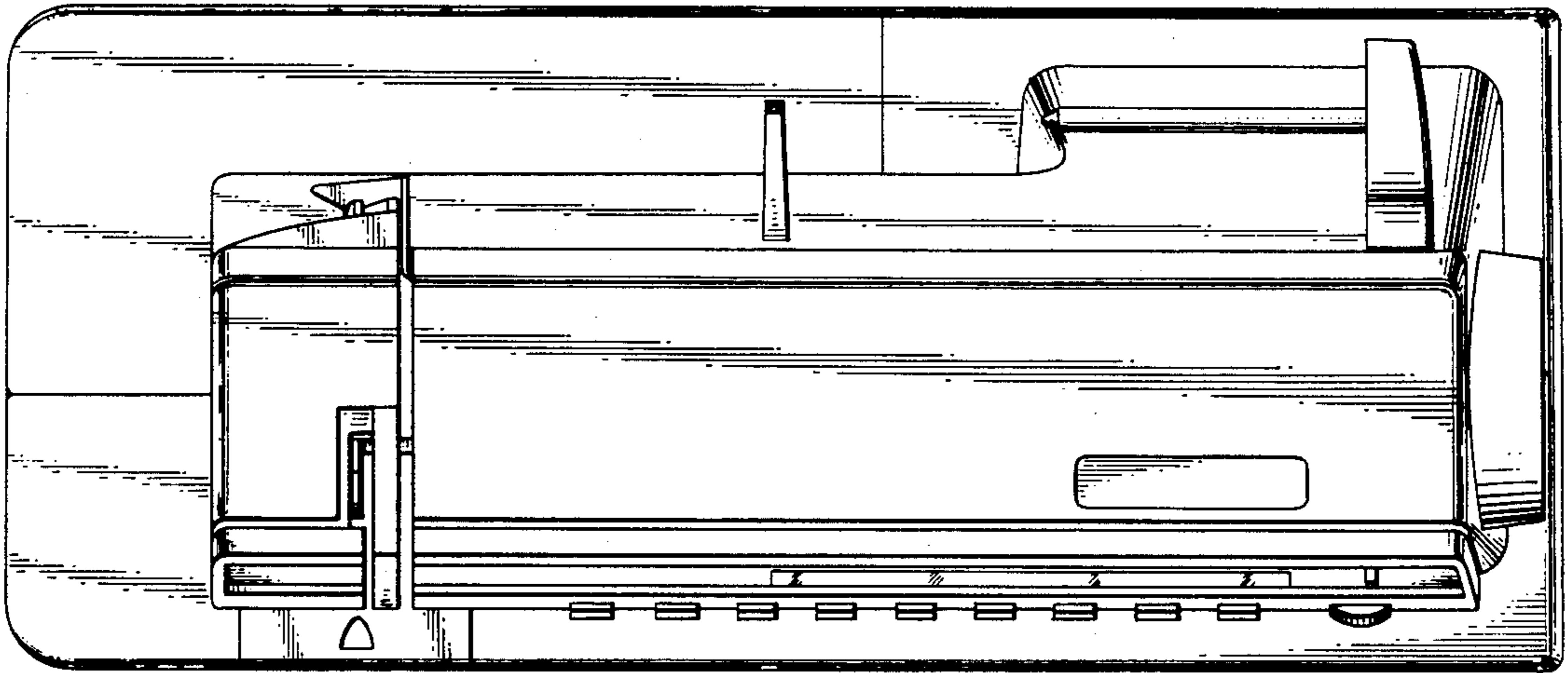


Fig.8

