

[54] IDENTIFICATION BRACELET

[76] Inventor: Erwin Schupp, Finkenweg 10,
Heiligenhaus, Germany, 5628

[**] Term: 14 Years

[21] Appl. No.: 682,031

[22] Filed: Apr. 30, 1976

[30] Foreign Application Priority Data
Nov. 3, 1975 Germany 1083

[51] Int. Cl. D11-01

[52] U.S. Cl. D11/4

[58] Field of Search D2/426, 427; D11/1-4,
D11/6, 26, 27, 46, 61, 81, 93; 63/1 R-11,
15-15.8

[56] References Cited
PUBLICATIONS

Jewelers' Circular-Keystone Directory Issue
6/20/1975, p. 277, I.D. Bracelet center left.
European Jeweler, Dec. 1974, p. 88, Bracelet at bottom
left.

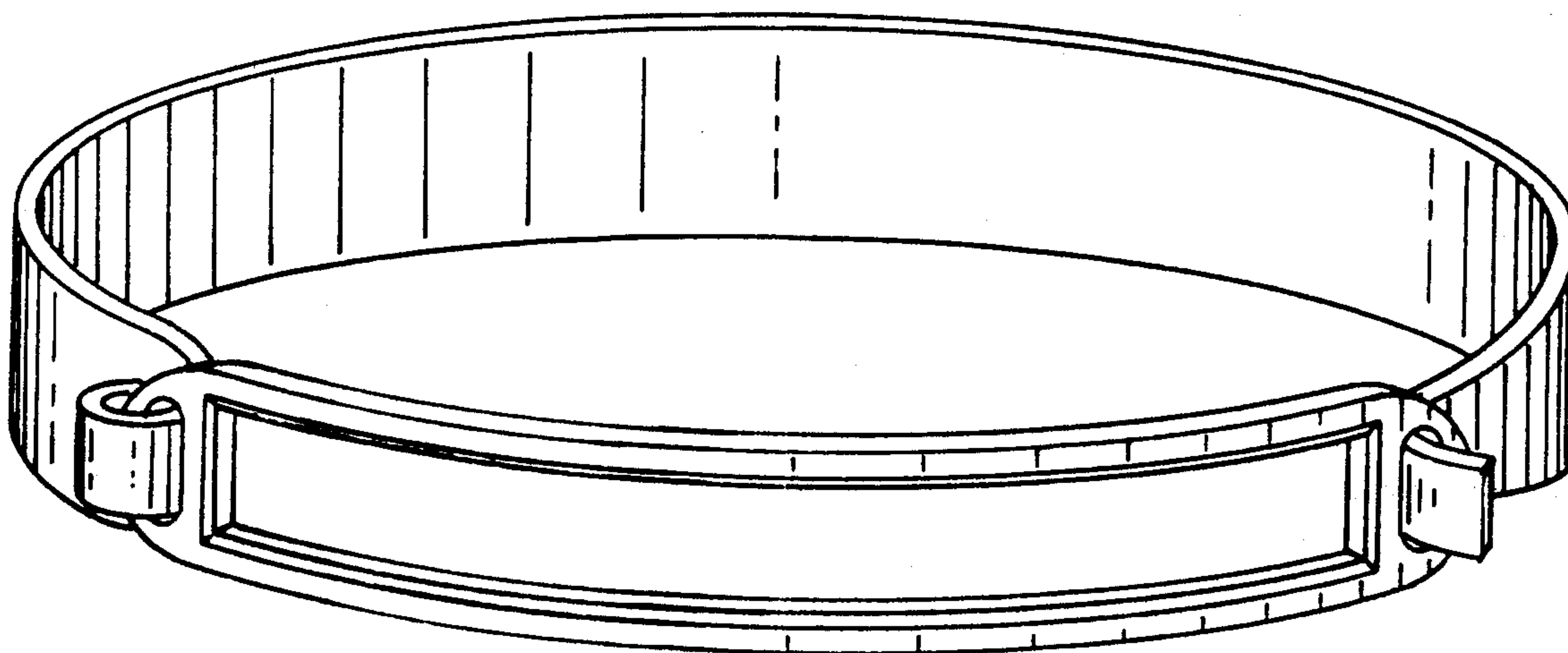
Primary Examiner—Bruce W. Dunkins
Assistant Examiner—Louis S. Zarfes
Attorney, Agent, or Firm—Karl F. Ross

[57] CLAIM

The ornamental design for an identification bracelet, as
shown.

DESCRIPTION

FIG. 1 is a front perspective view of an identification
bracelet showing my new design; and
FIG. 2 is a rear-perspective view thereof.



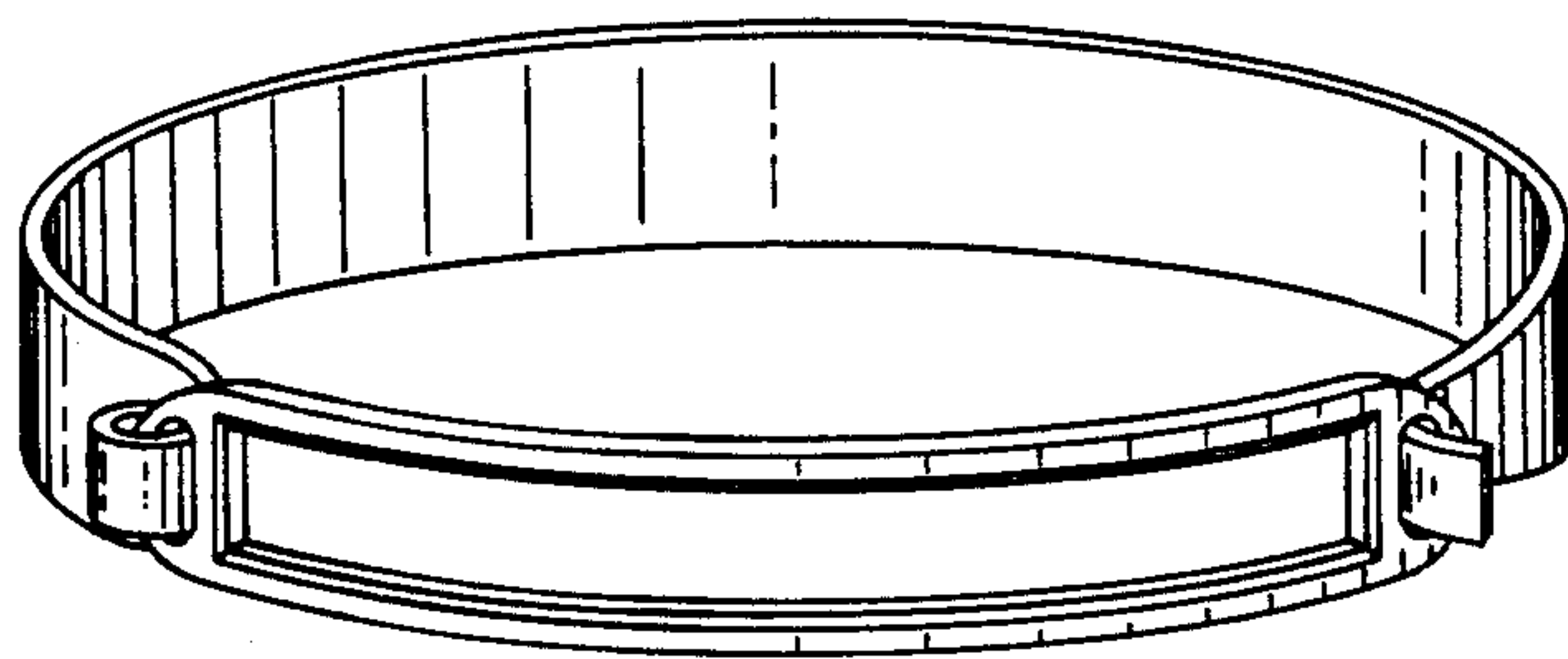


FIG. 1

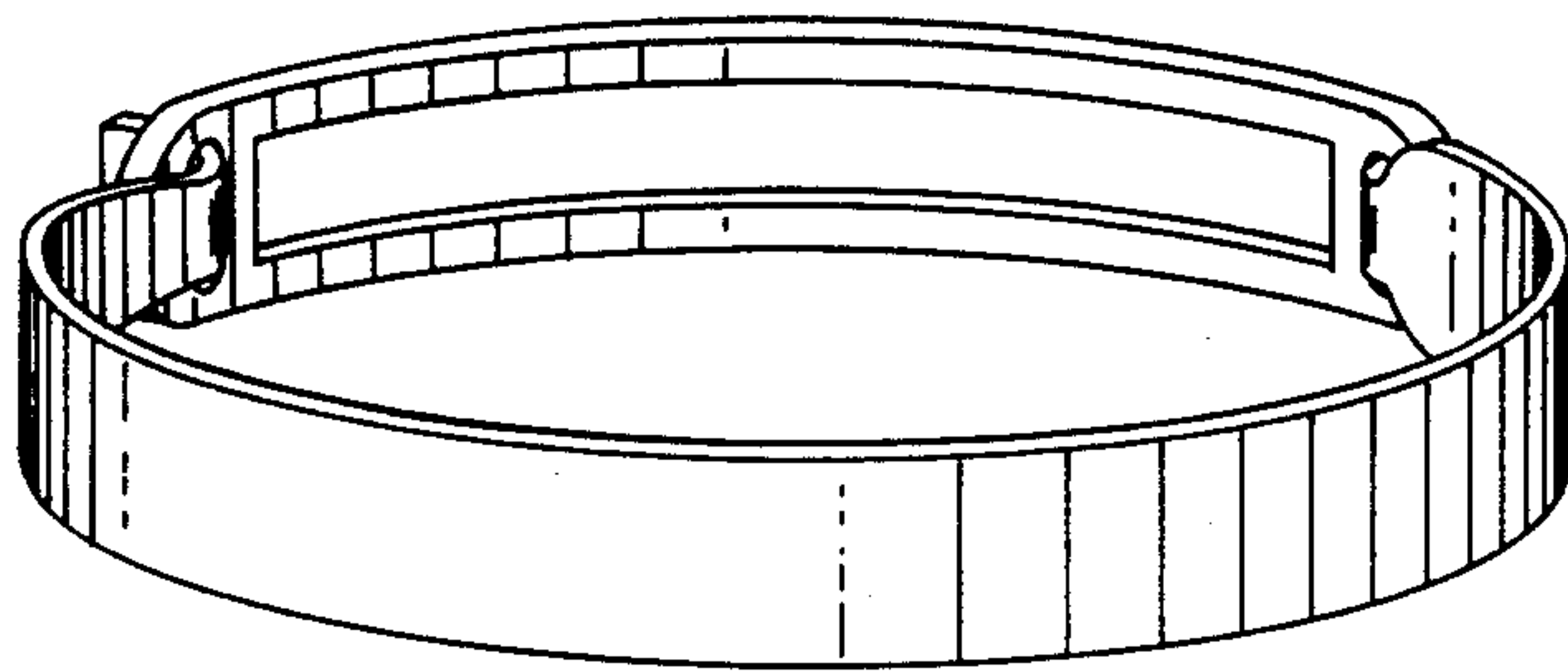


FIG. 2