

[54] ULTRASONIC FLOW METER HOUSING

[75] Inventor: **Channing Wallace Gilson**, Los Angeles, Calif.
[73] Assignee: **Envirotech Corporation**, Menlo Park, Calif.
[**] Term: **14 Years**
[21] Appl. No.: **680,813**
[22] Filed: **Apr. 28, 1976**
[51] Int. Cl. **D10-04**
[52] U.S. Cl. **D10/96**
[58] Field of Search **D10/46, 75-80, D10/96; 73/194 A, 194 E, 194 M, 195; 329/76**

[56]

References Cited

U.S. PATENT DOCUMENTS

D. 193,481	8/1962	Hose	D10/96
D. 196,759	10/1963	Blazey	D10/96
D. 215,562	10/1969	Sato	D10/96
D. 218,117	7/1970	Sato	D10/96
D. 218,118	7/1970	Sato	D10/96
D. 218,934	10/1970	Cordero	D10/96

Primary Examiner—Nelson C. Holtje
Attorney, Agent, or Firm—Robert E. Krebs

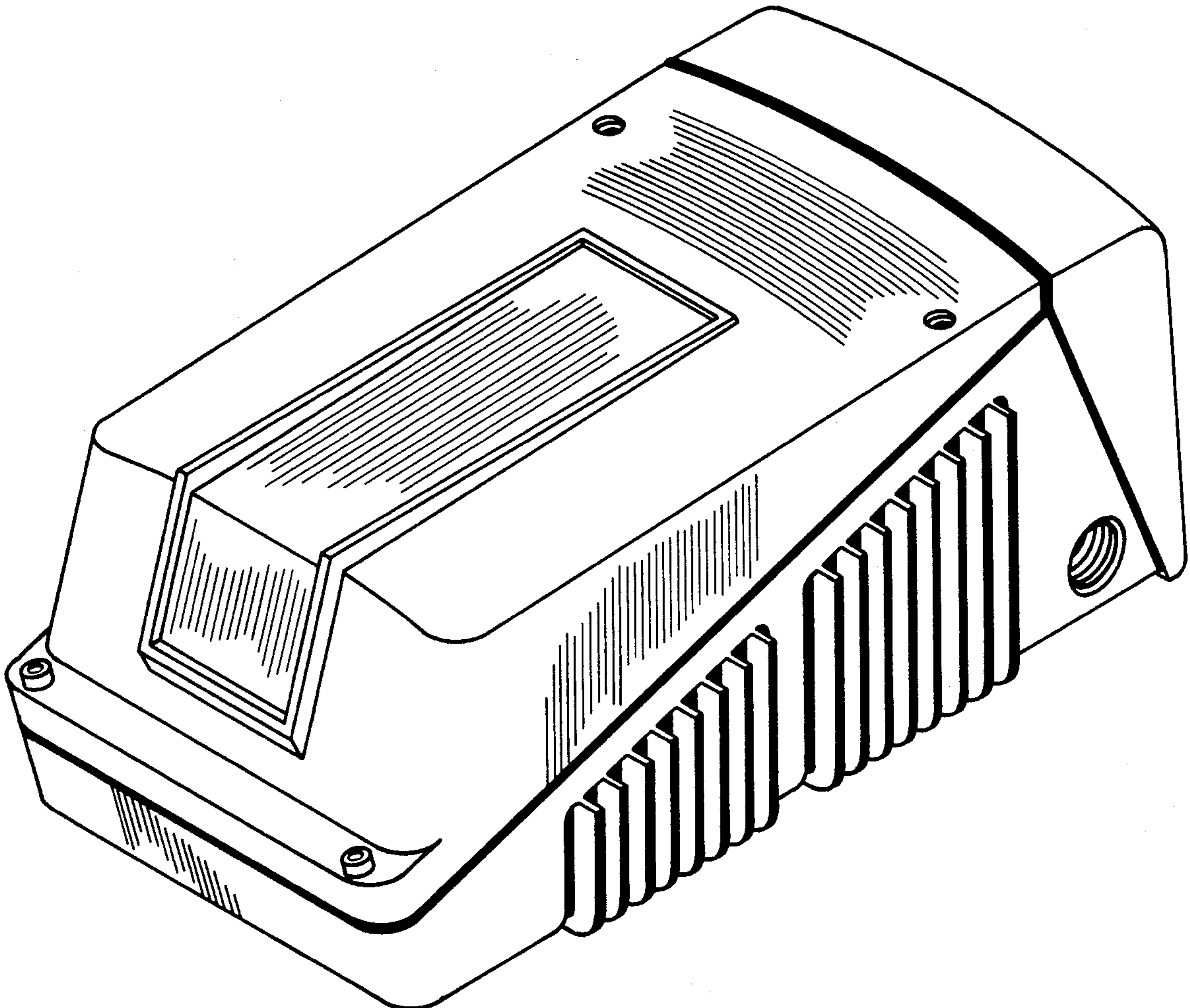
[57]

CLAIM

The ornamental design of an ultrasonic flow meter housing, as shown and described.

DESCRIPTION

FIG. 1 is a top right front perspective view of an ultrasonic flow meter housing showing my new design; FIG. 2 is a top left rear perspective view thereof; and FIG. 3 is a bottom left perspective view thereof.



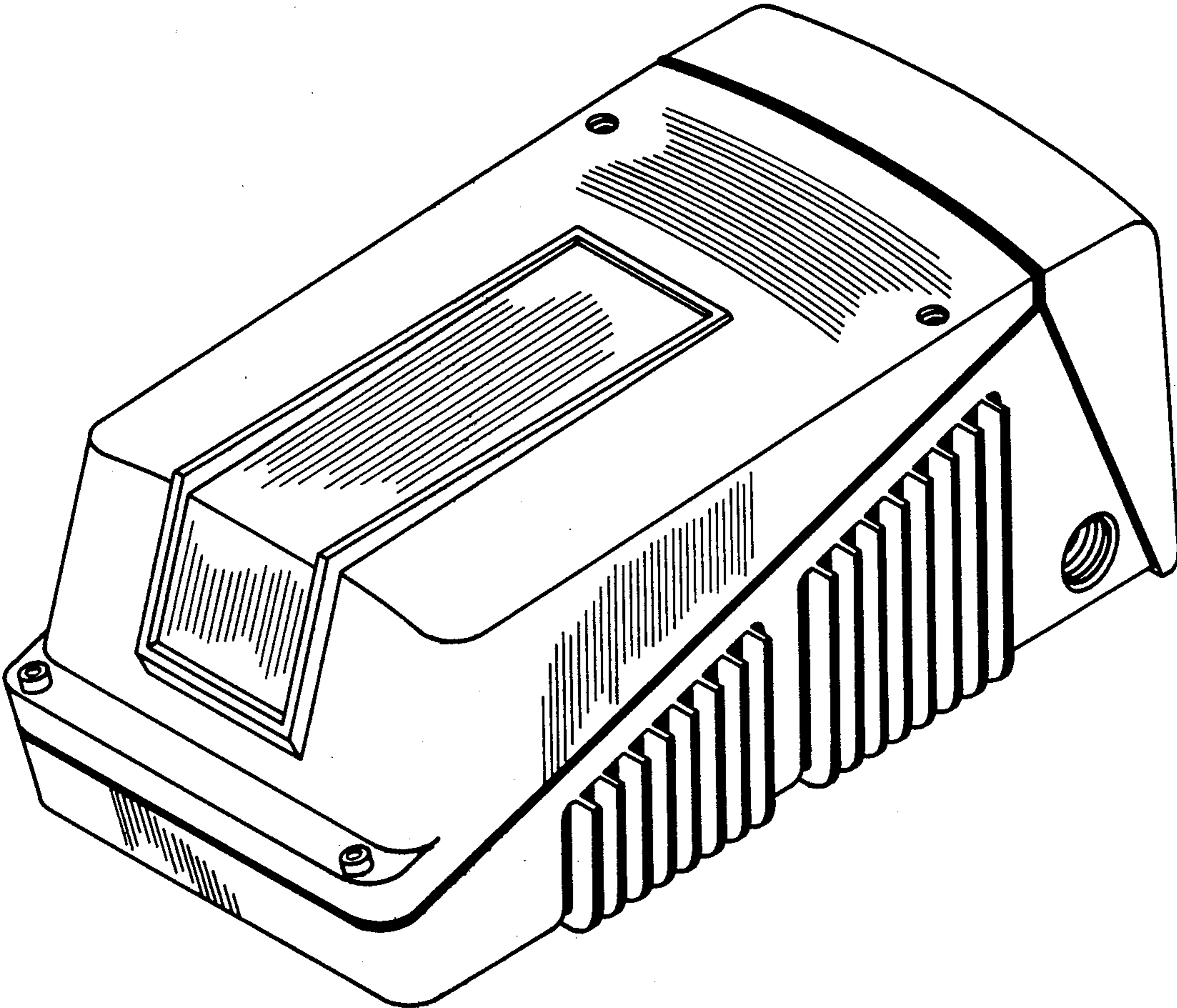


FIG. 1

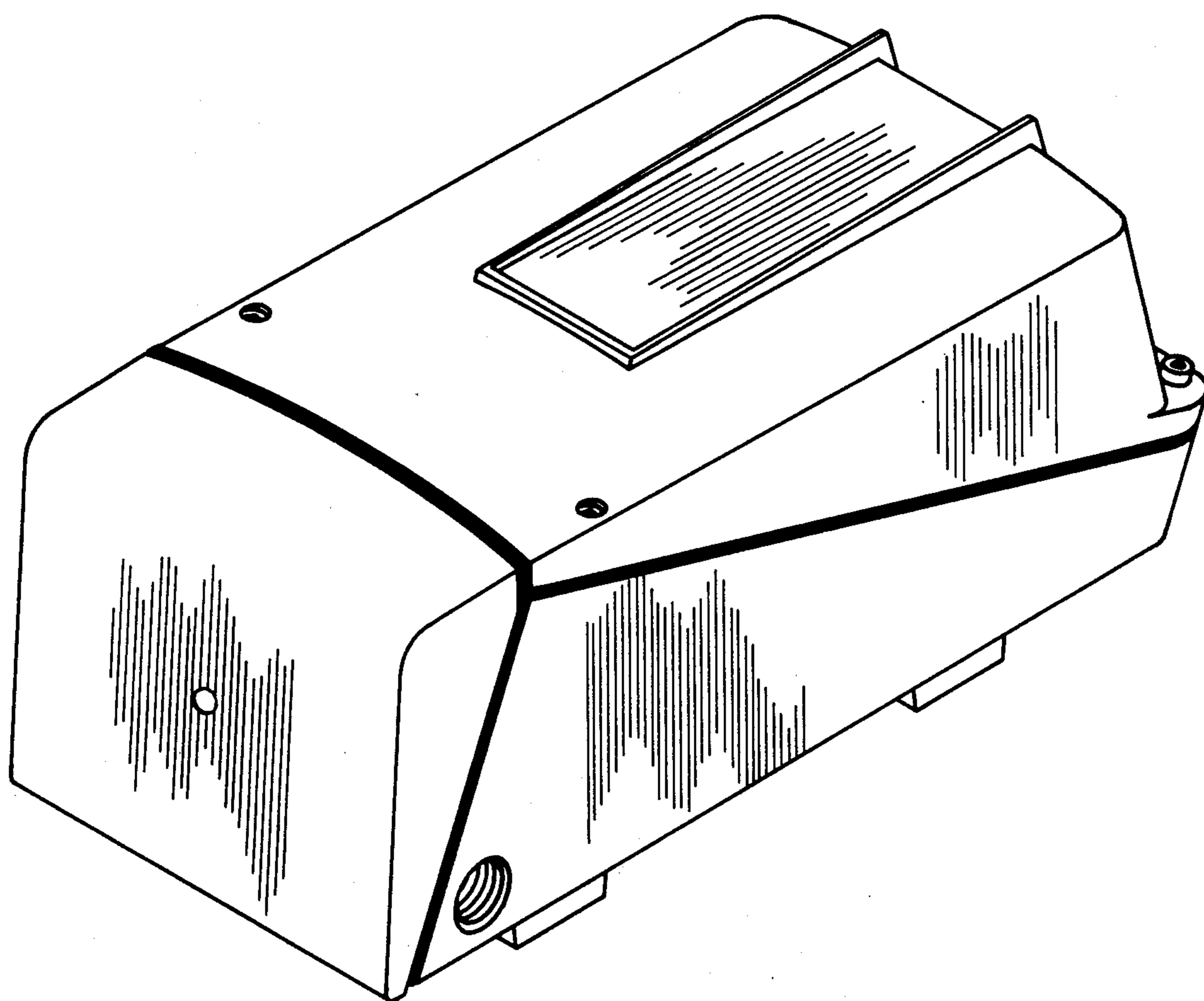


FIG. 2

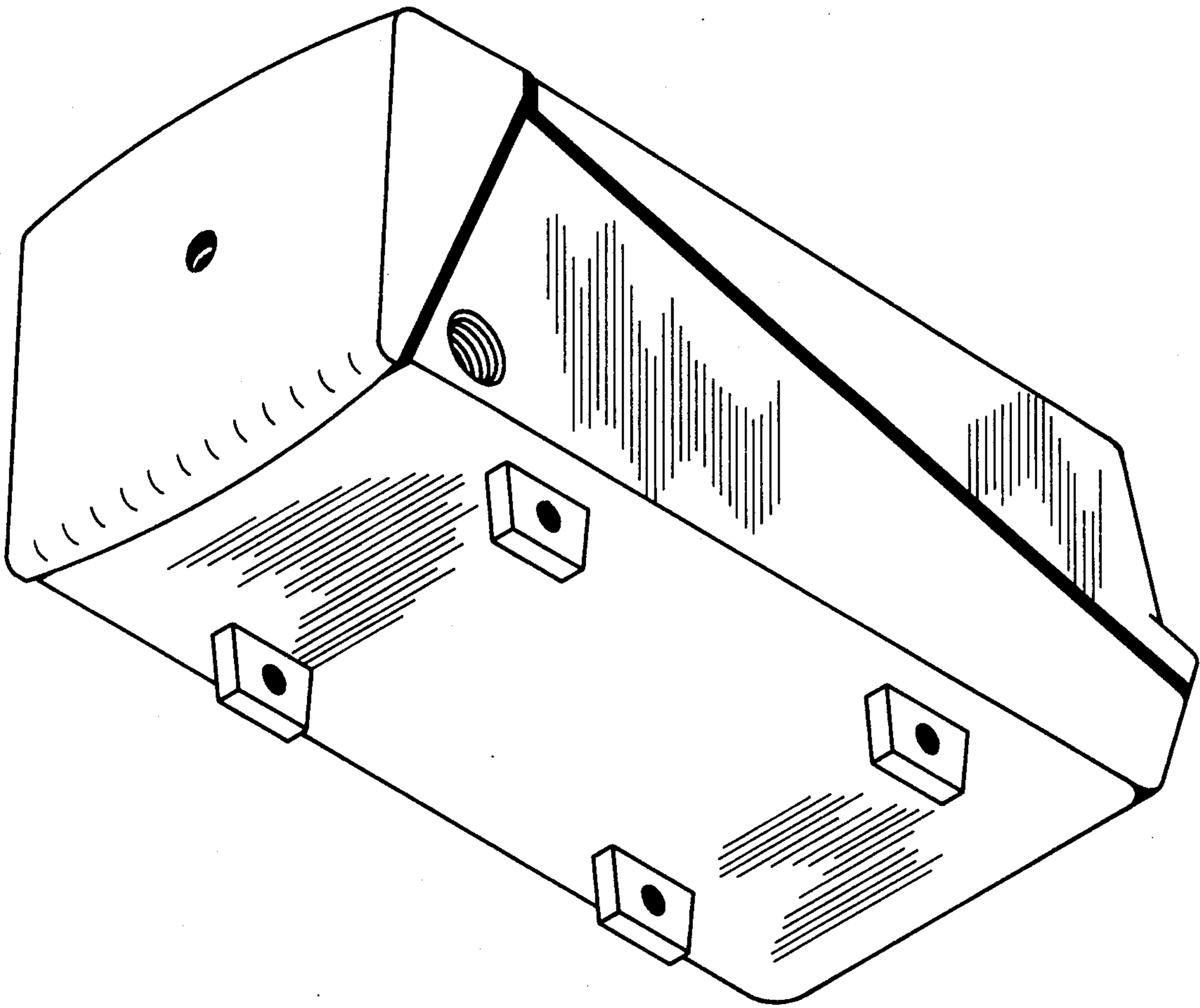


FIG. 3