

[54] TOY RATTLE

[75] Inventor: Kerstin Margaretha Hagland-Ahrnborg, Falun, Sweden

[73] Assignee: Brio Toy AB, Osby, Sweden

[**] Term: 14 Years

[21] Appl. No.: 646,674

[22] Filed: Jan. 5, 1976

[30] Foreign Application Priority Data
Jul. 8, 1975 Germany 447/75

[51] Int. Cl. D21-01

[52] U.S. Cl. D34/15 AG

[58] Field of Search D34/15 C, 15 D, 15 J, D34/15 AG; 46/47, 111, 174, 175 R, 177, 178, 179, 181, 190, 193, 220; D56/1 C; 273/156

[56]

References Cited

U.S. PATENT DOCUMENTS

465,066	12/1891	Murphy	D34/15 C
496,263	4/1893	Kinney	273/156
800,995	10/1905	Dow	273/156
3,946,518	3/1976	Ylitalo	46/47

OTHER PUBLICATIONS

Creative Playthings, 1969-1970 Catalog, p. 13, "Twisting" at bottom right corner of page.

Primary Examiner—Joel Stearman
Assistant Examiner—C. A. Rademaker
Attorney, Agent, or Firm—Robert Osann

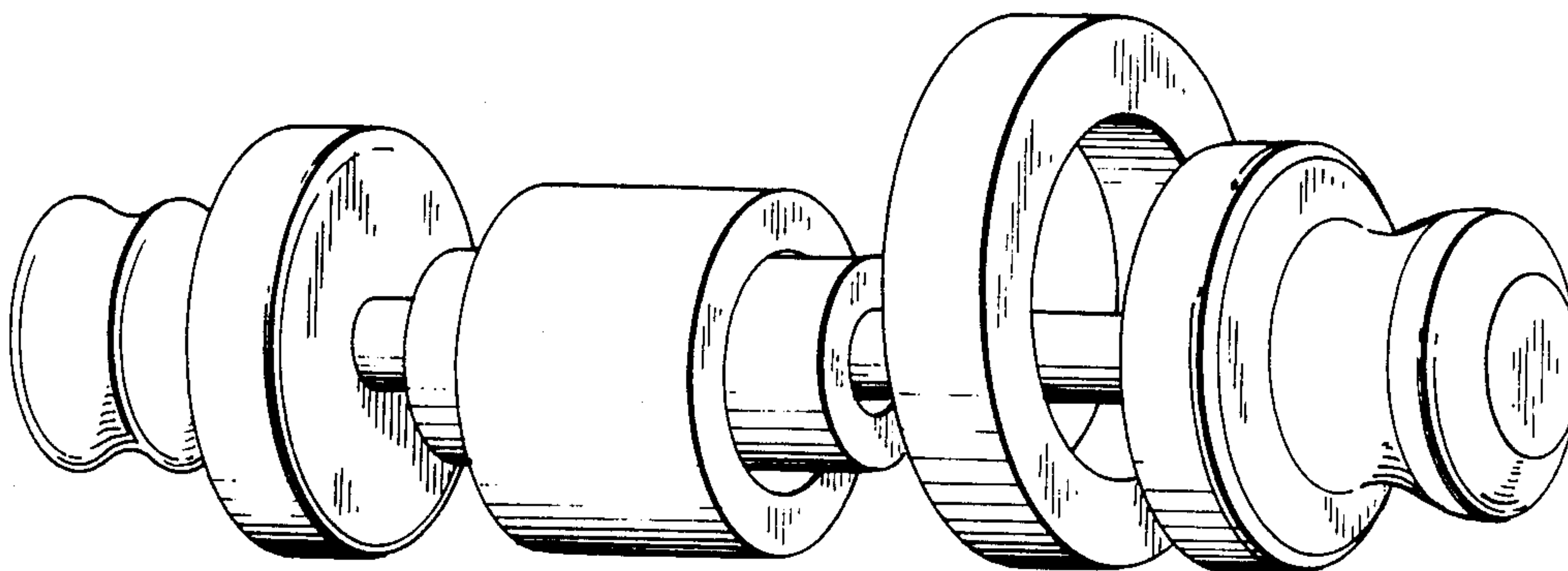
[57]

CLAIM

The ornamental design for a toy rattle, as shown.

DESCRIPTION

FIG. 1 is a front perspective view of a toy rattle showing my new design; and
FIG. 2 is a rear perspective view thereof.



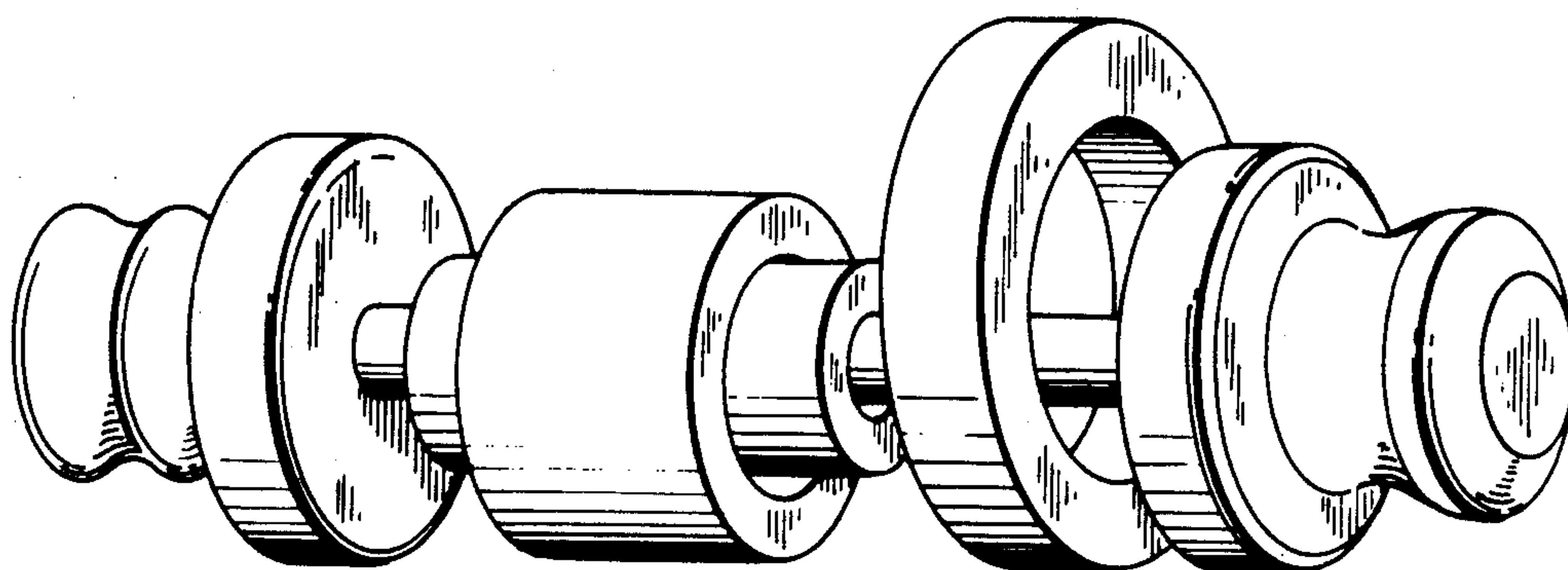


Fig. 1

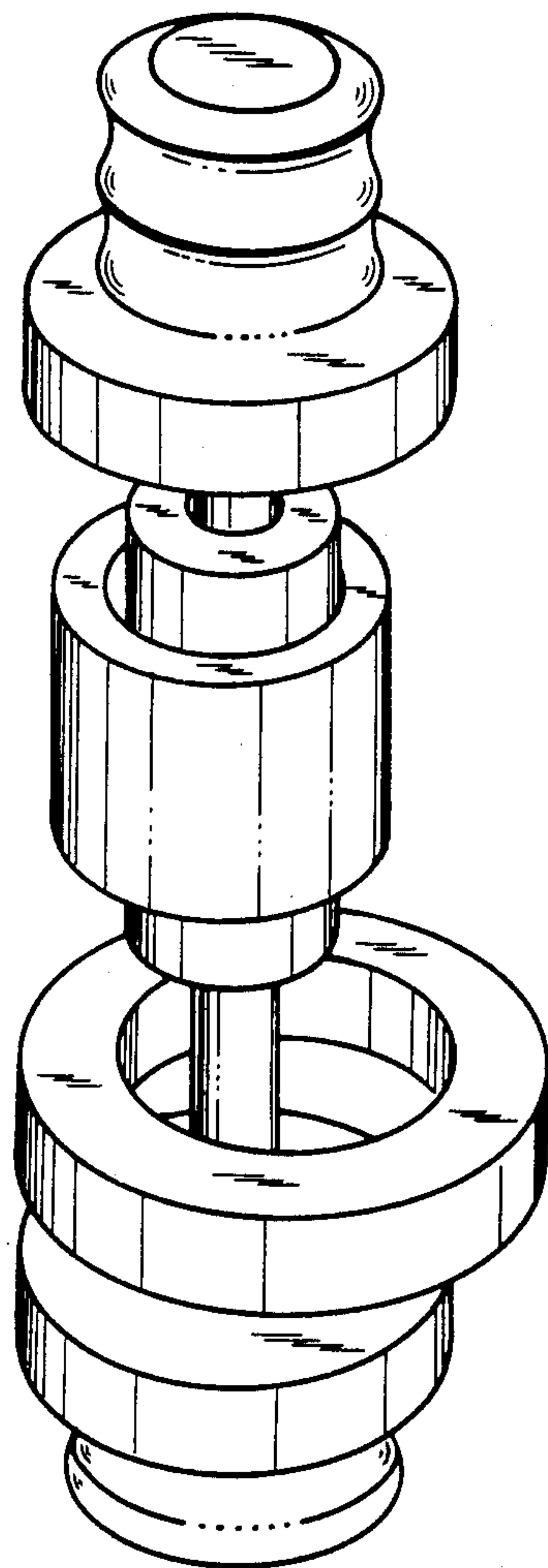


Fig. 2