

[54] COMBINED GOLF TOOL AND RANGE FINDER

3,763,515 10/1973 Voss D34/5 CB

[75] Inventor: Barry E. Kitay, Van Nuys, Calif.

OTHER PUBLICATIONS

[73] Assignees: Maurice Jay Cooper; Ethel Cooper, Venice, Calif.

Golf Digest, Nov., 1974, p. 108, lower left, "Sav-a-strok."

[**] Term: 14 Years

Primary Examiner—Melvin B. Feifer
Attorney, Agent, or Firm—Bernard P. Drachlis

[21] Appl. No.: 714,957

[57] CLAIM

[22] Filed: Aug. 16, 1976

The ornamental design for a combined golf tool and range finder, as shown.

[51] Int. Cl. D21-02

[52] U.S. Cl. D34/5 CB; D10/70

[58] Field of Search D34/5 CB; 273/32 B; D10/70; 172/378; 33/277

DESCRIPTION

[56] References Cited

U.S. PATENT DOCUMENTS

D. 161,662	1/1951	Stratman	D10/70
D. 181,057	9/1957	Johnson	D34/5 CB
D. 225,655	12/1972	Johnson	D34/5 CB
2,519,727	8/1950	Yezdan	D34/5 CB

FIG. 1 is a perspective view of a combined golf tool and range finder showing my new design;
FIG. 2 is an elevational view of one side;
FIG. 3 is an edge view;
FIG. 4 is an elevational view of the side opposite FIG. 2;
FIG. 5 is a top plan view of FIG. 1;
FIG. 6 is a bottom plan view of FIG. 1; and
FIG. 7 is the opposite edge view of FIG. 3.

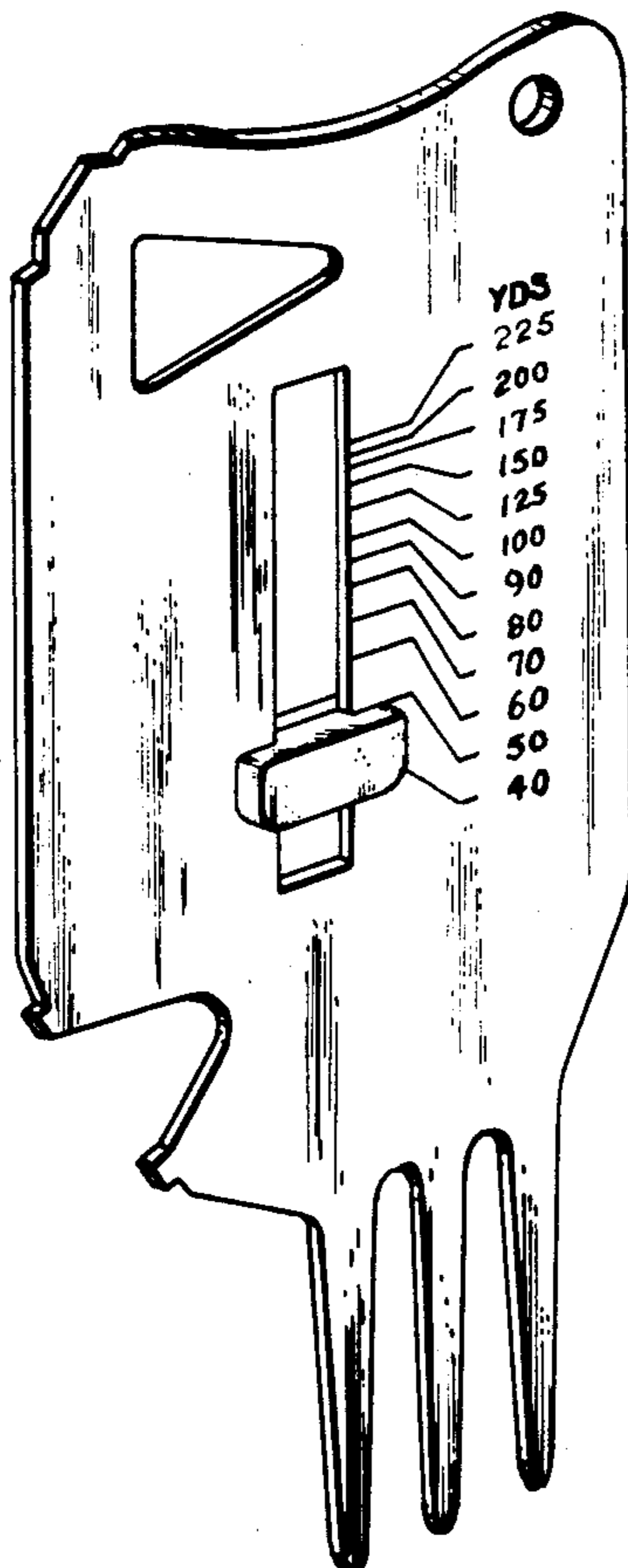


Fig. 1.

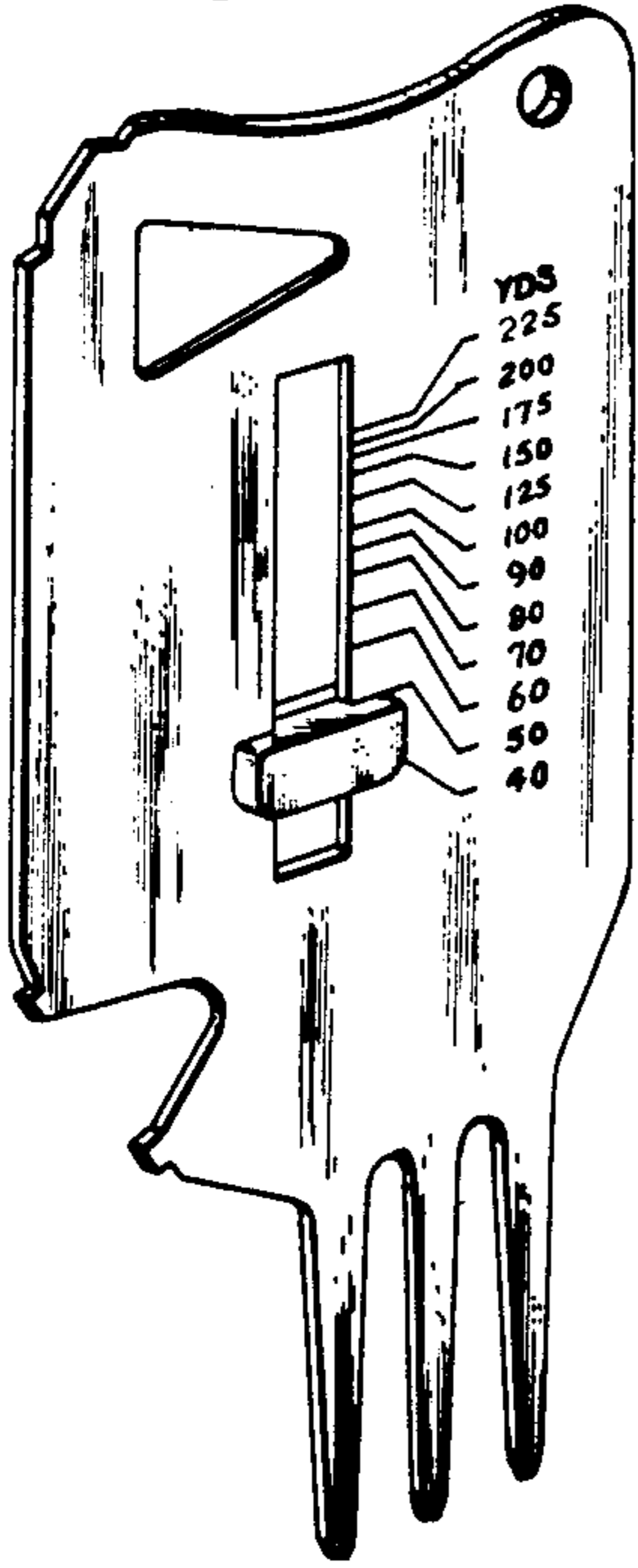


Fig. 2.

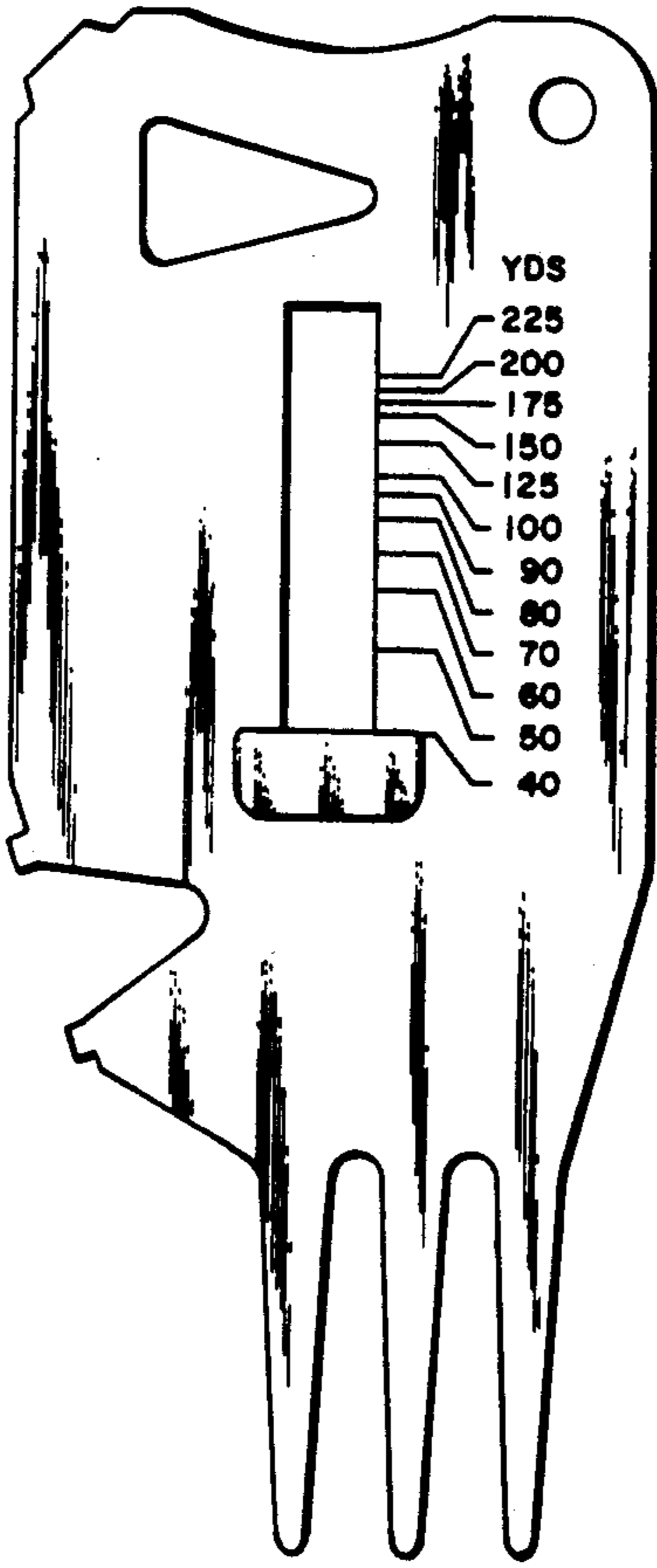


Fig. 4.

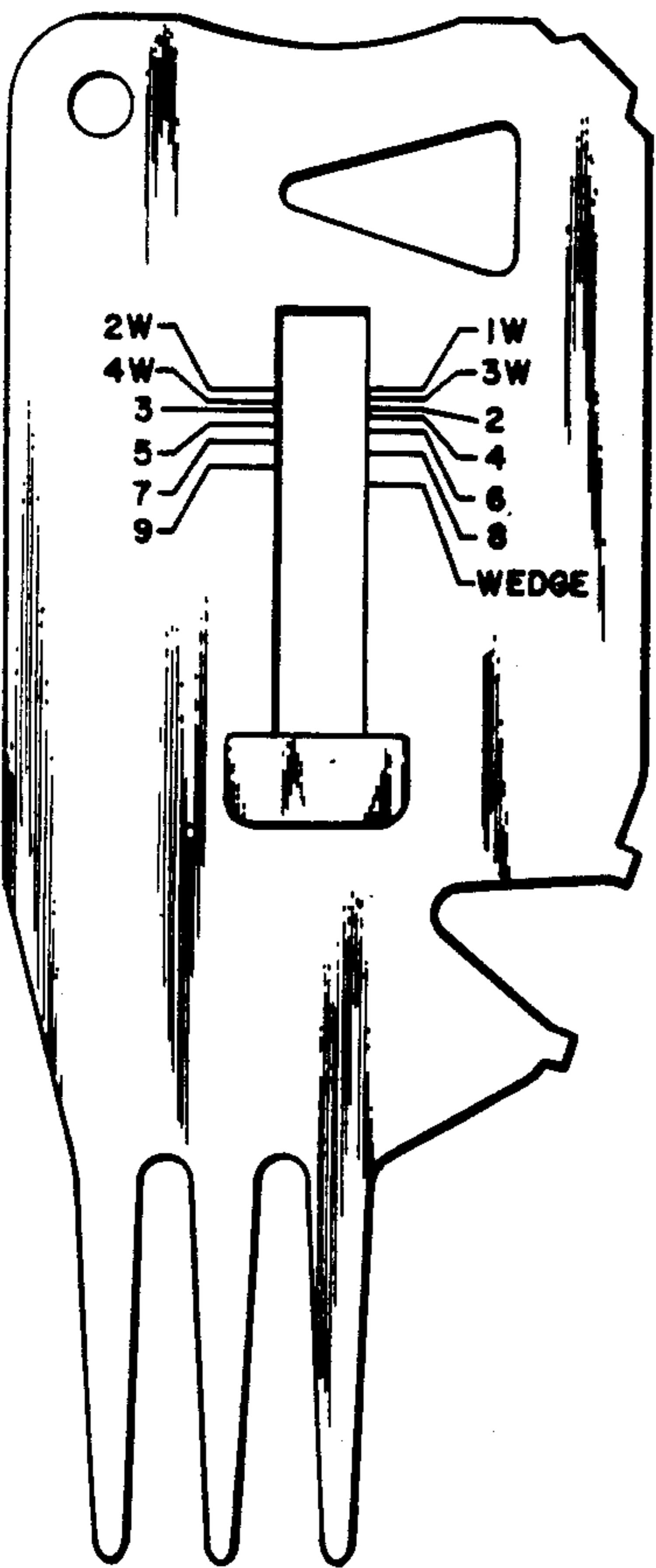


Fig. 5.



Fig. 6.



Fig. 3.



Fig. 7.

