

[54] FIREPLACE

[75] Inventor: Carrol E. Buckner, Weaverville, N.C.

[73] Assignee: Smoky Mountain Enterprises, Asheville, N.C.

[\*\*] Term: 14 Years

[21] Appl. No.: 762,087

[22] Filed: Jan. 24, 1977

D. 199,656	11/1964	Rogers .....	D23/107
D. 201,483	6/1965	Lever .....	D23/97
D. 237,084	10/1975	Collver .....	D23/97
D. 238,364	1/1976	Kategiahis .....	D23/97
D. 238,784	2/1976	Wescott .....	D23/97
3,685,506	8/1972	Movat .....	126/121
4,015,579	4/1977	Wirth et al. ....	126/63

Primary Examiner—James R. Largen  
 Attorney, Agent, or Firm—Saul Leitner

Related U.S. Application Data

[62] Division of Ser. No. 675,413, Apr. 9, 1976, Pat. No. Des. 244,136.

[51] Int. Cl. .... D23—03

[52] U.S. Cl. .... D23/97

[58] Field of Search ..... D23/82-138.1;  
 126/120, 122, 125, 121, 8, 123, 65

[56] References Cited

U.S. PATENT DOCUMENTS

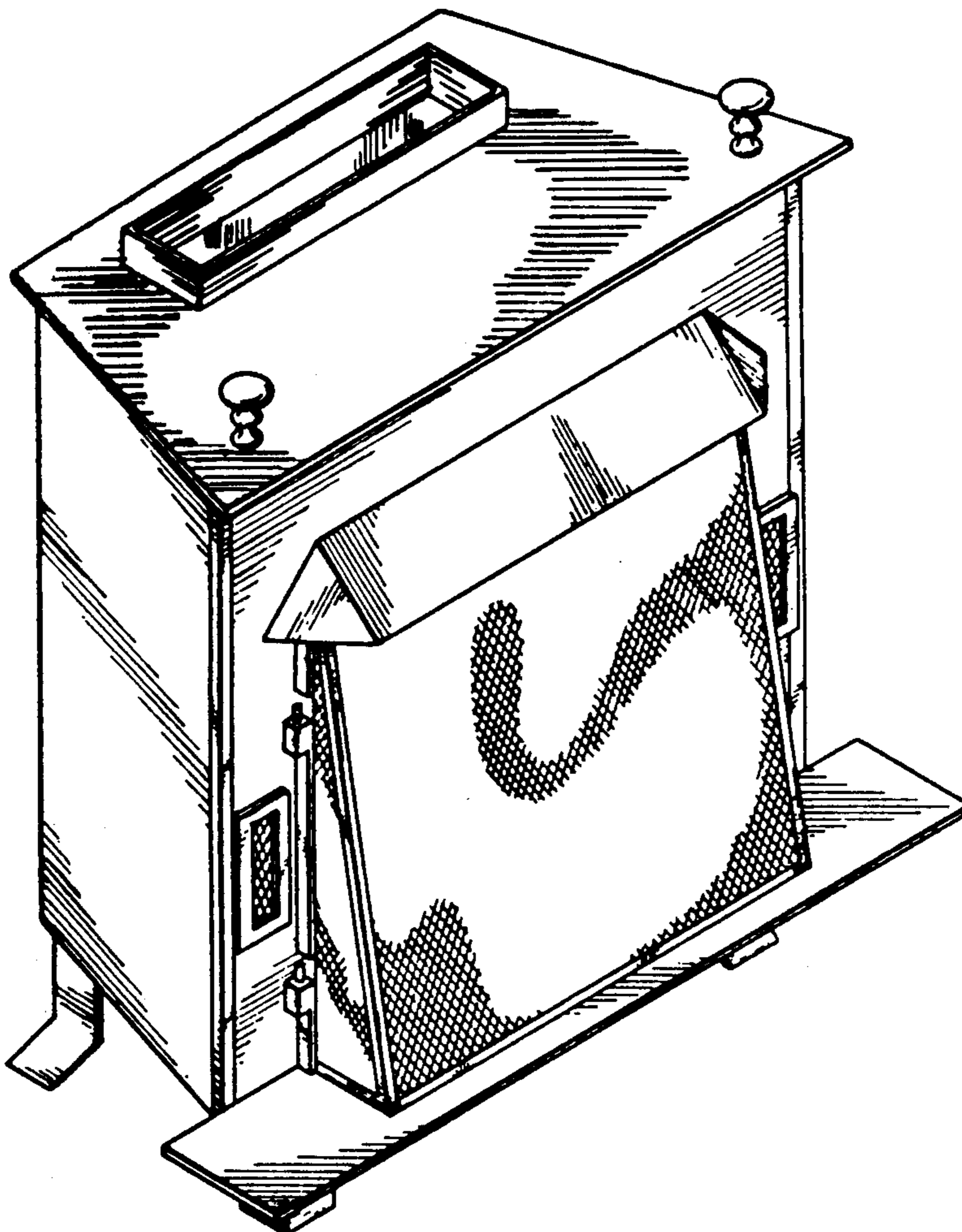
D. 208 12/1848 Vose ..... D23/105

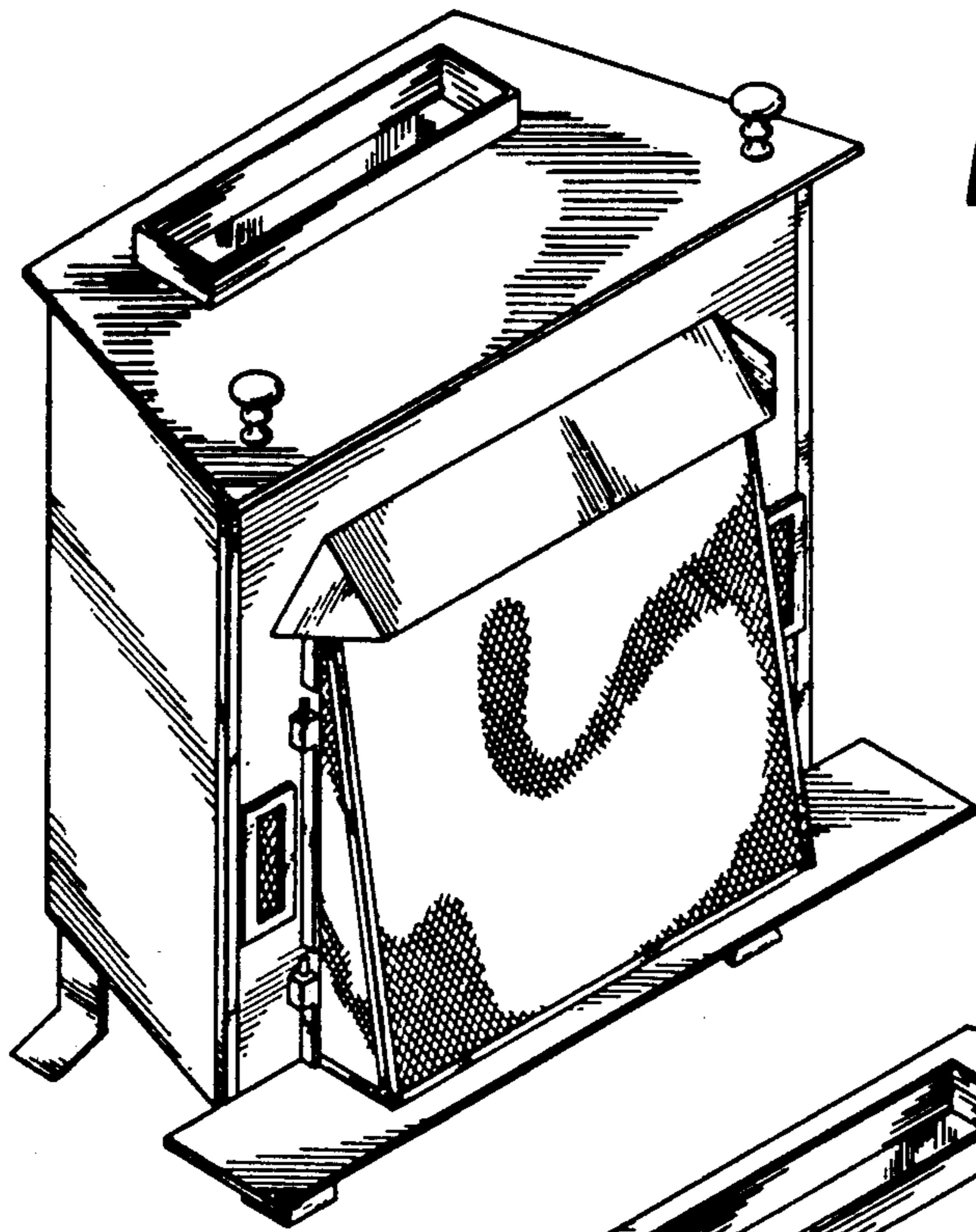
[57] CLAIM

The ornamental design for a fireplace, substantially as shown.

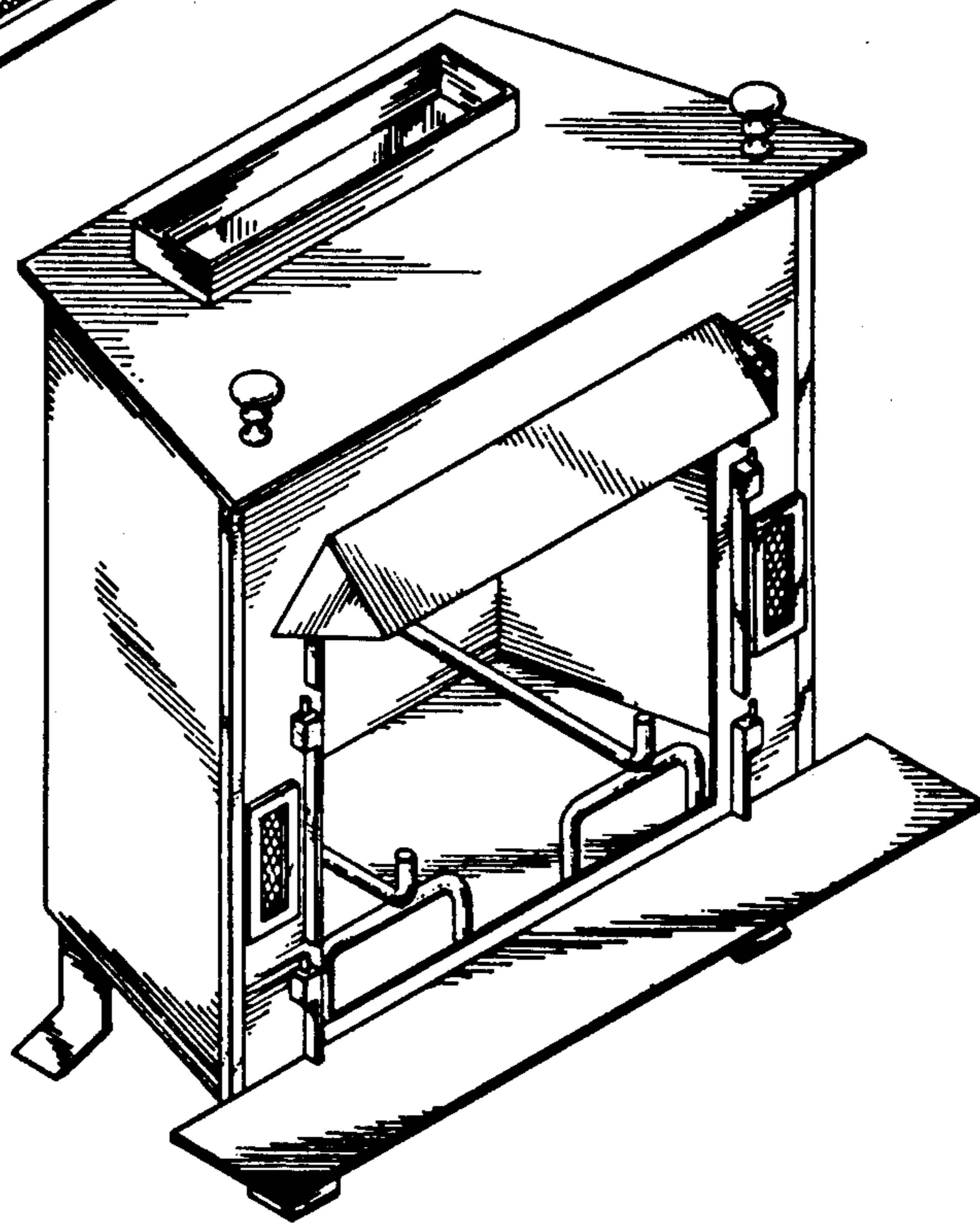
DESCRIPTION

FIG. 1 is a perspective view taken from the front, top and left side of a fireplace showing my new design; FIG. 2 is another perspective view taken from the front, top and left side thereof with the screen removed; FIG. 3 is a rear elevational view thereof; FIG. 4 is a top plan view of FIG. 1; FIG. 5 is a top plan view of FIG. 2; FIG. 6 is a right side elevational view of FIG. 2; FIG. 7 is a left side elevational view of FIG. 2; and FIG. 8 is a left side elevational view of FIG. 1.

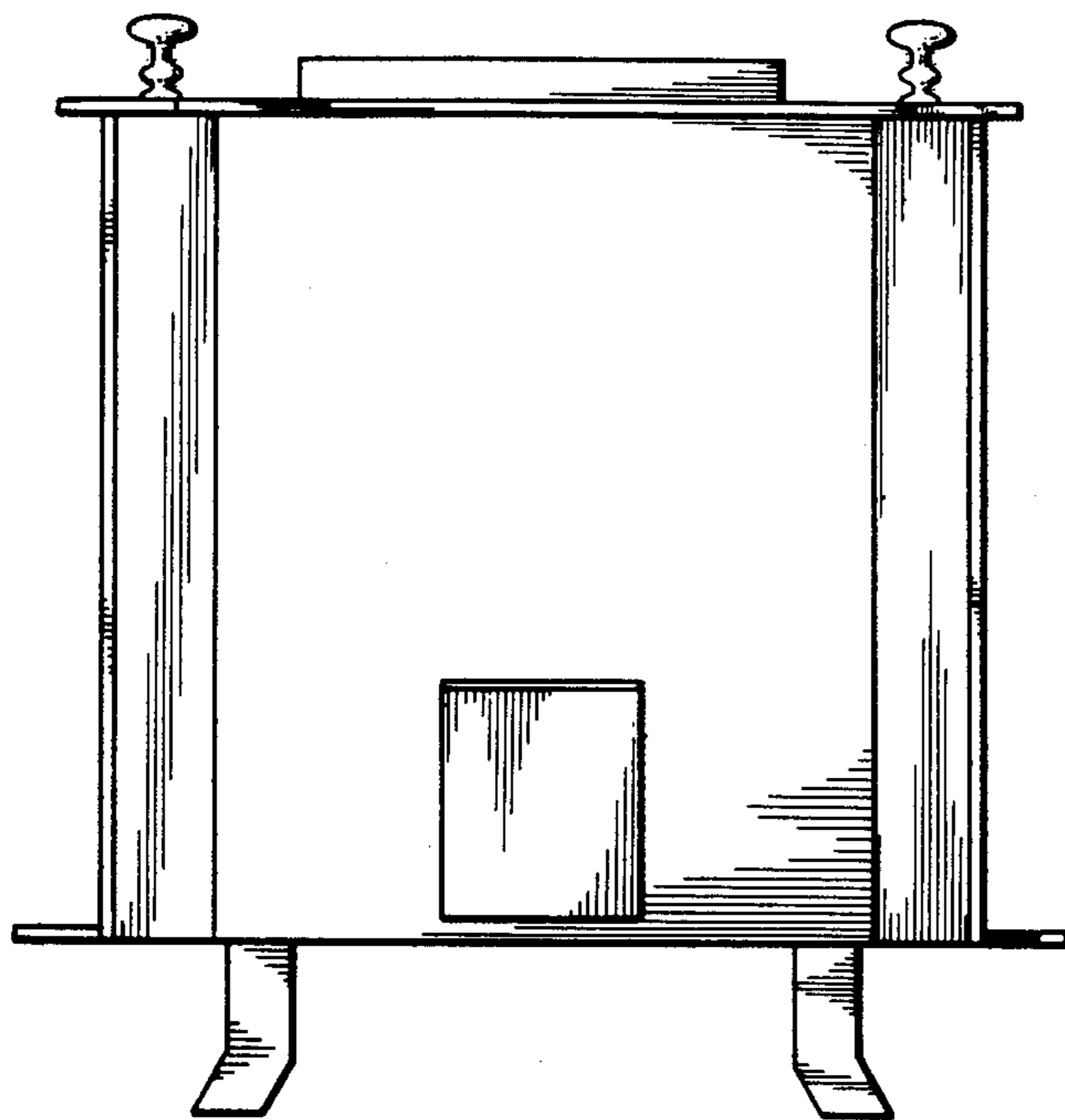




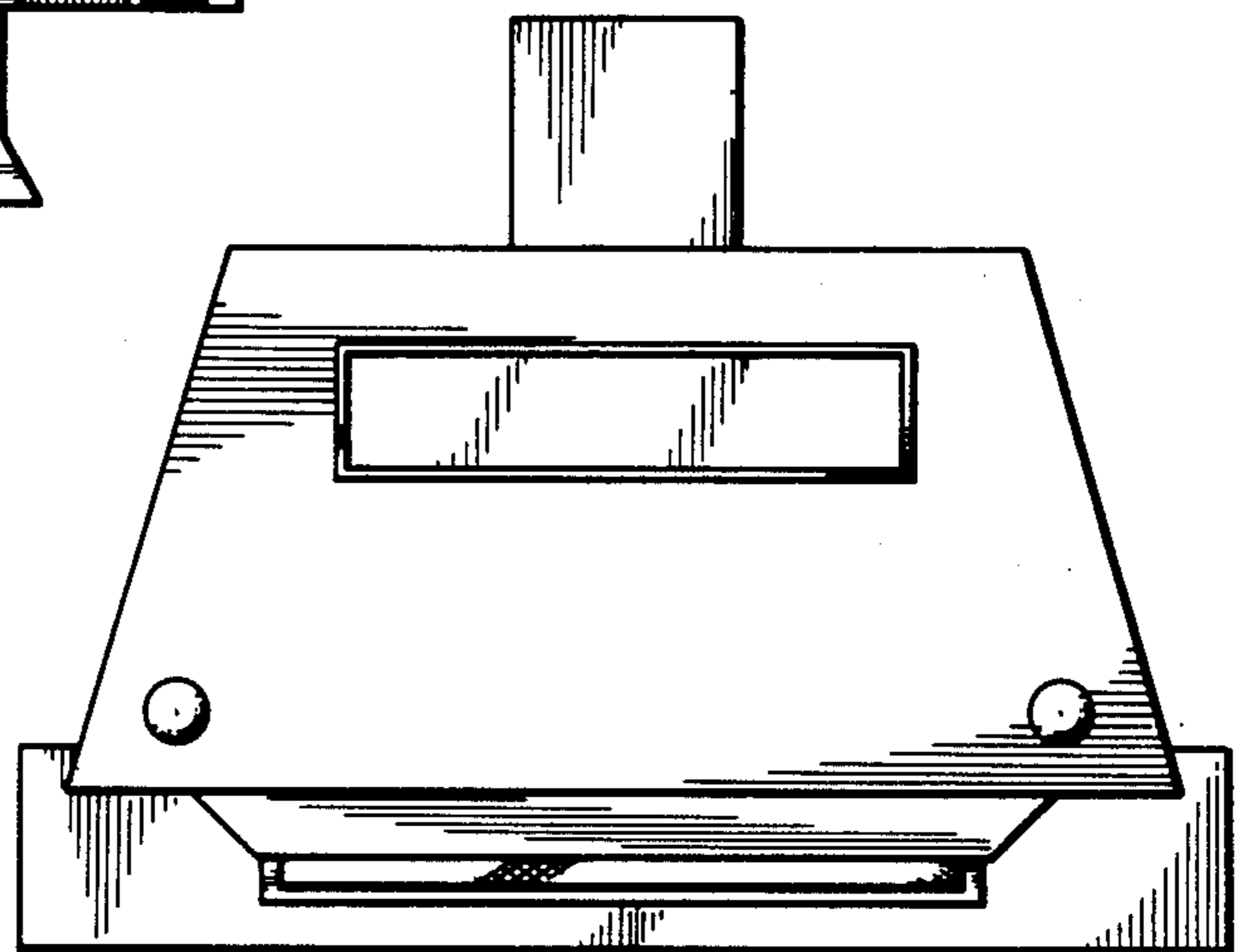
**FIG. 1**



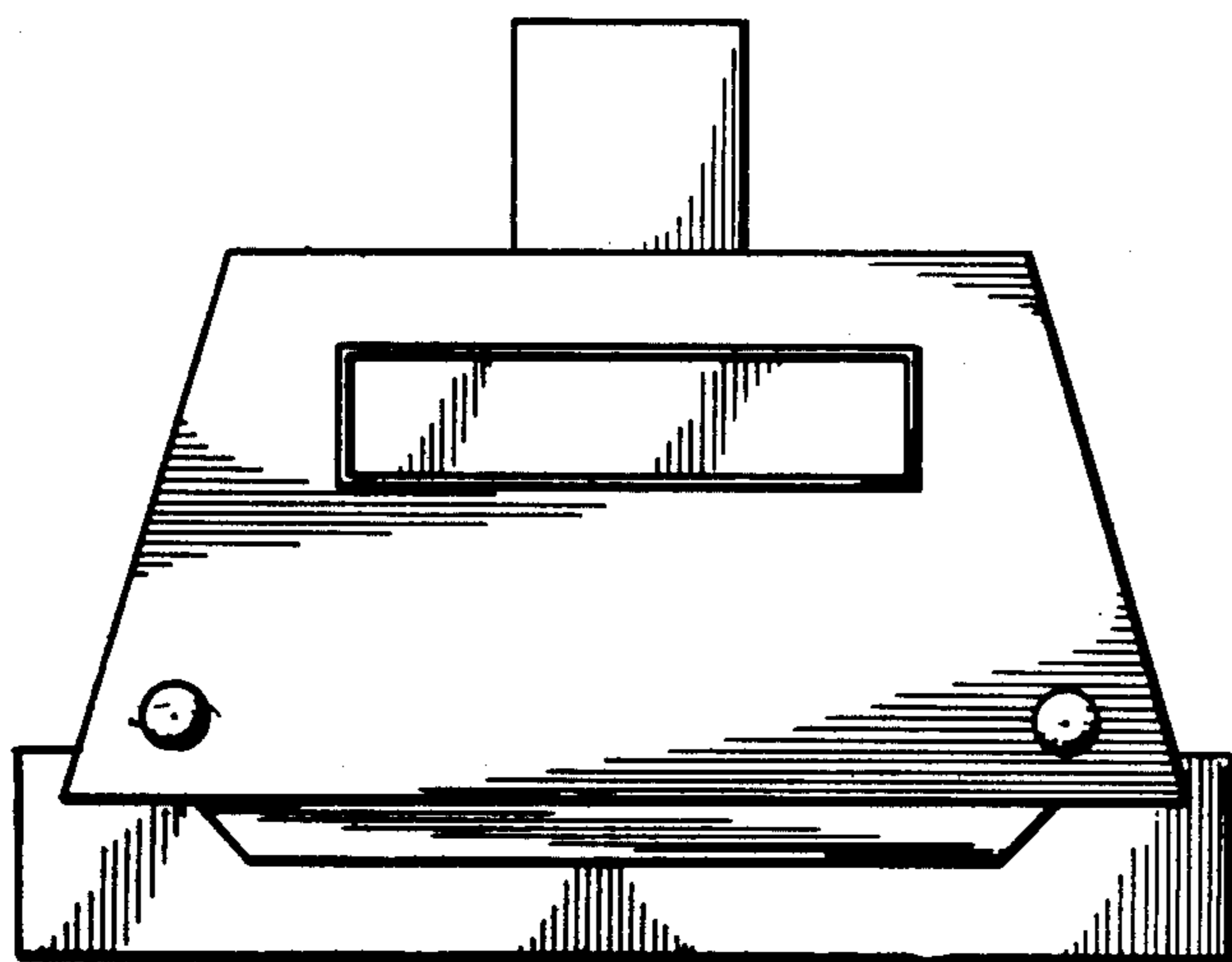
**FIG. 2**



**FIG. 3**

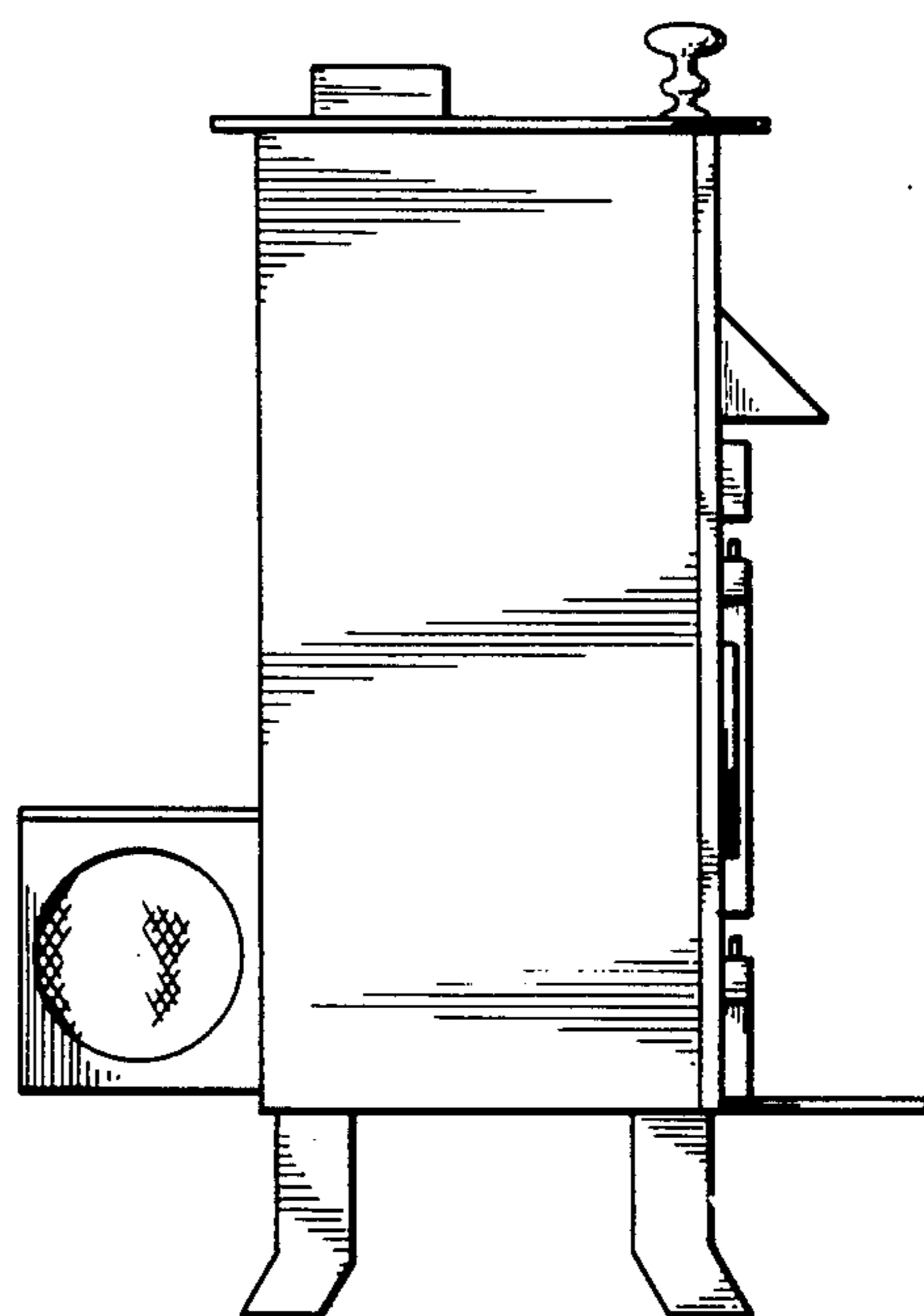
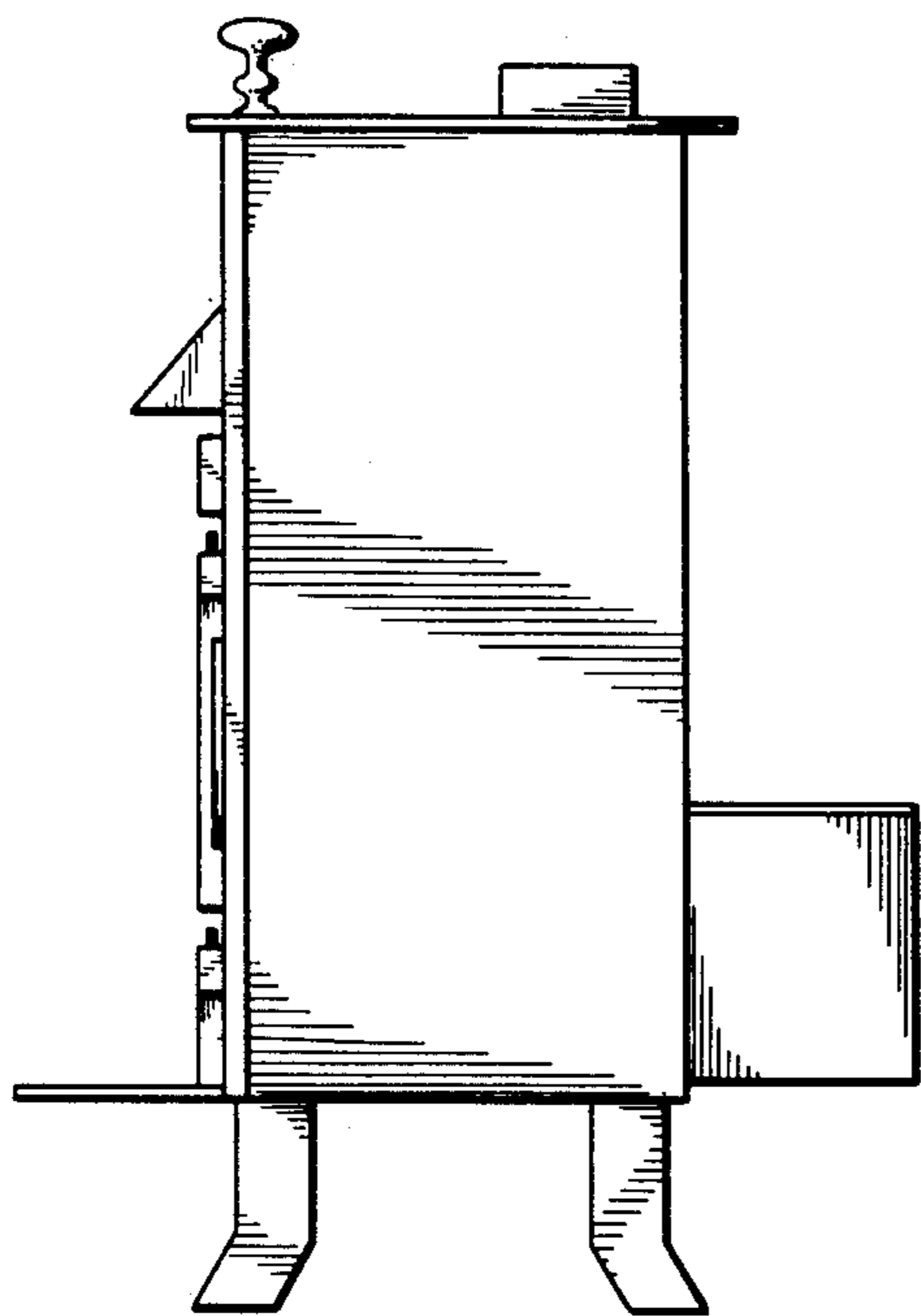


**FIG. 4**

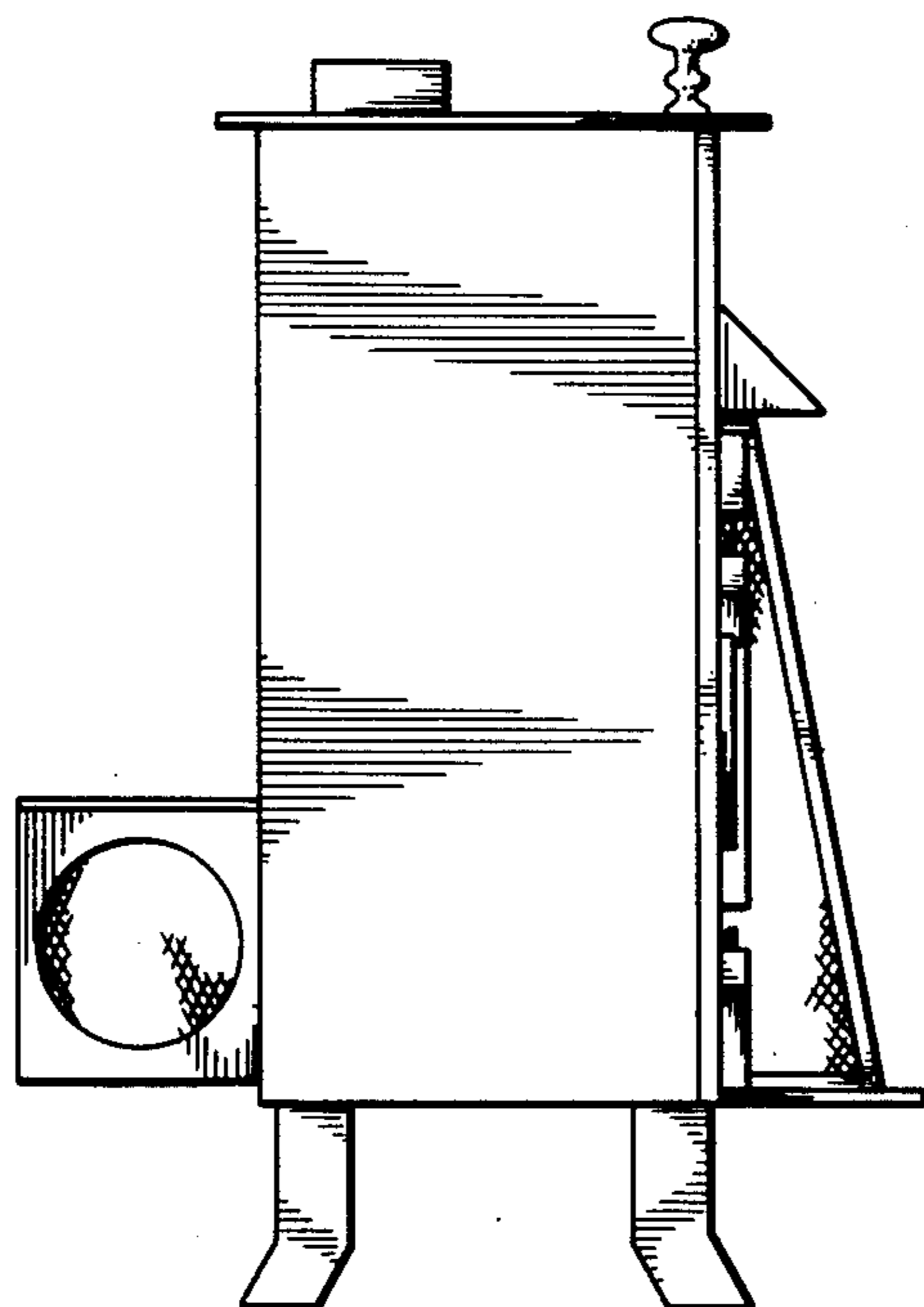


**FIG. 5**

**FIG.6**



**FIG.7**



**FIG.8**