

[54] VEHICLE WASH MACHINE

[75] Inventor: James A. Nelson, Des Moines, Iowa

[73] Assignee: Ryko Mfg., Co., Des Moines, Iowa

[**] Term: 14 Years

[21] Appl. No.: 662,575

[22] Filed: Mar. 1, 1976

[51] Int. Cl. D15-05

[52] U.S. Cl. D15/37

[58] Field of Search 15/DIG. 2; D15/37

[56] References Cited

U.S. PATENT DOCUMENTS

D. 185,397	6/1959	Thompson	D49/12
3,755,844	9/1973	Ennis	15/DIG. 2 X
3,783,466	1/1974	Bernardi	15/DIG. 2 X
3,798,696	3/1974	Cirino	15/DIG. 2 X

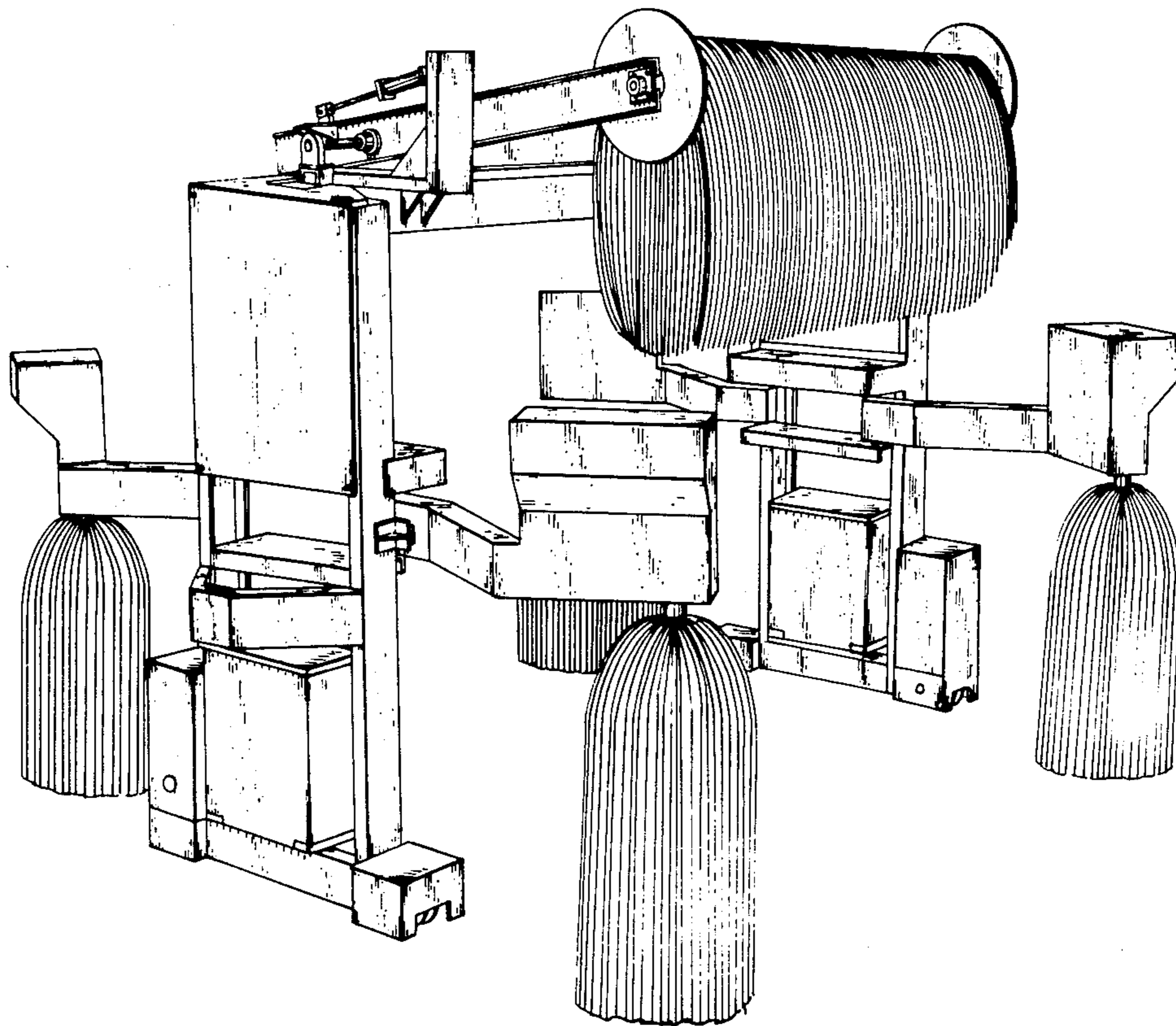
Primary Examiner—Wallace R. Burke
Assistant Examiner—Catherine Kemper
Attorney, Agent, or Firm—Donald H. Zarley

[57] CLAIM

The ornamental design for a vehicle wash machine, substantially as shown and described.

DESCRIPTION

FIG. 1 is a top plan view of a vehicle wash machine showing my new design;
FIG. 2 is a rear elevational view thereof;
FIG. 3 is a front elevational view thereof;
FIG. 4 is a side elevational view thereof taken along the left side in FIG. 1;
FIG. 5 is a side elevational view thereof taken along the right side in FIG. 1;
FIG. 6 is a bottom plan view thereof; and
FIG. 7 is a perspective view thereof shown on an enlarged scale.



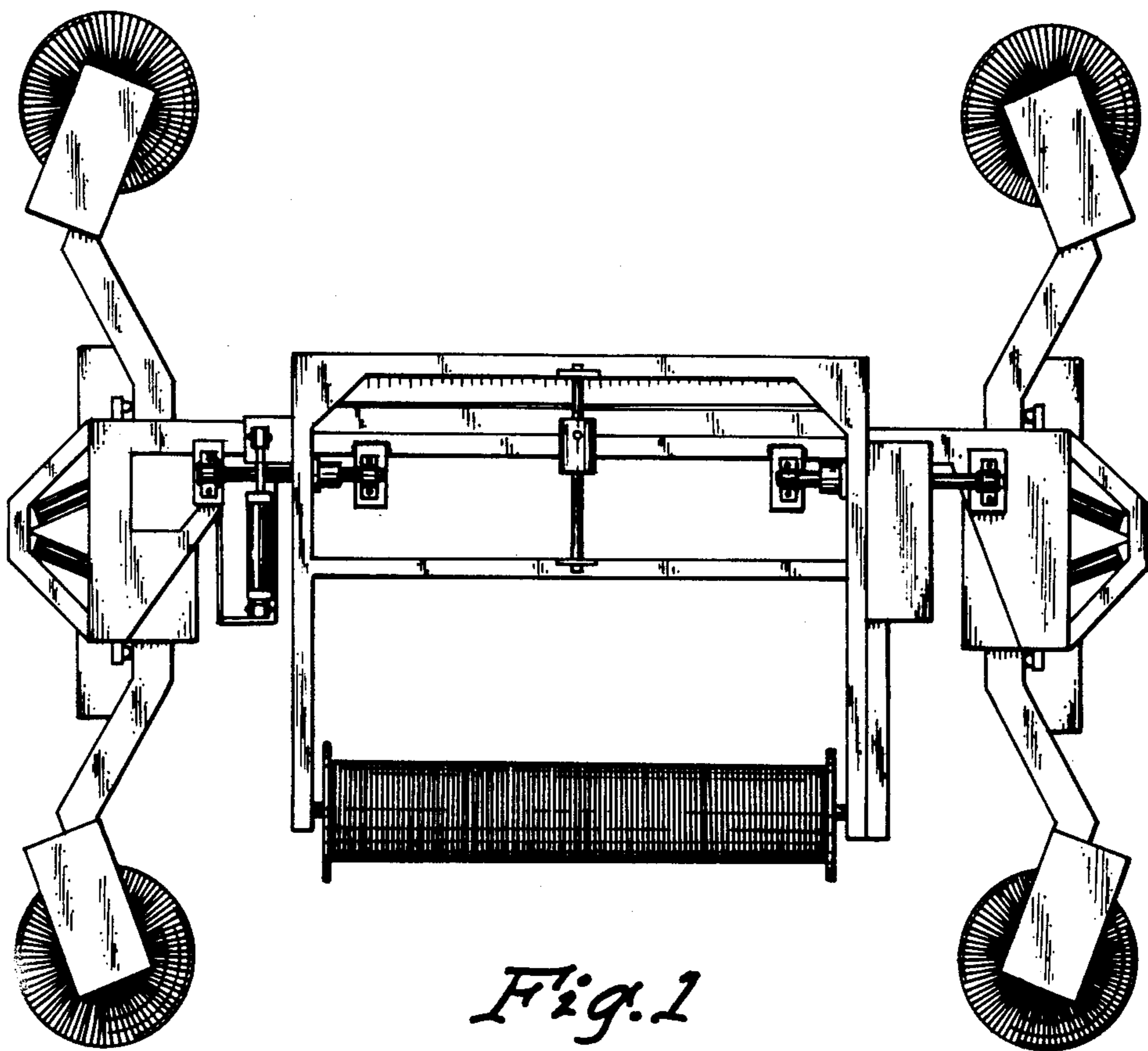


Fig. 1

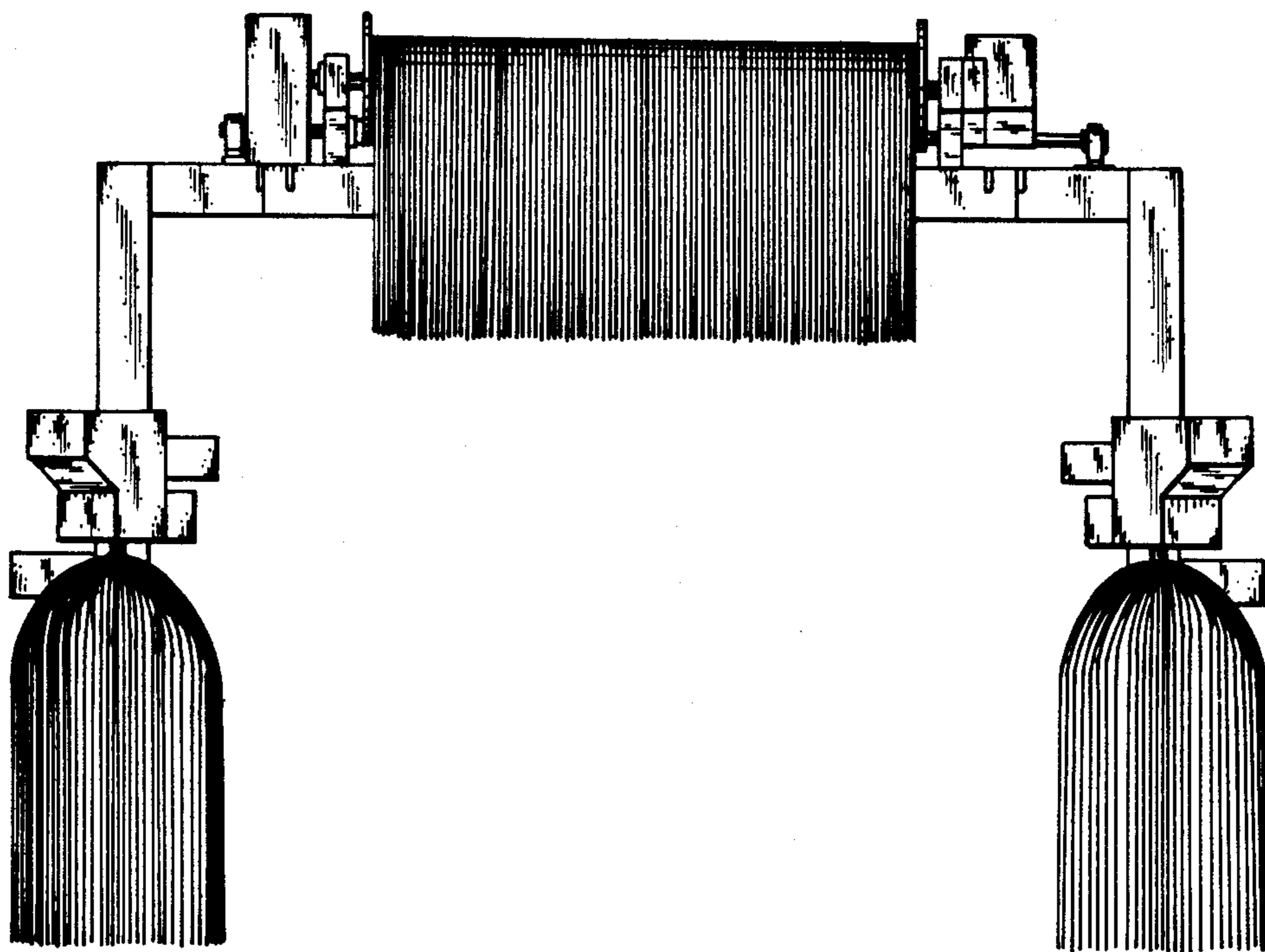


Fig. 2

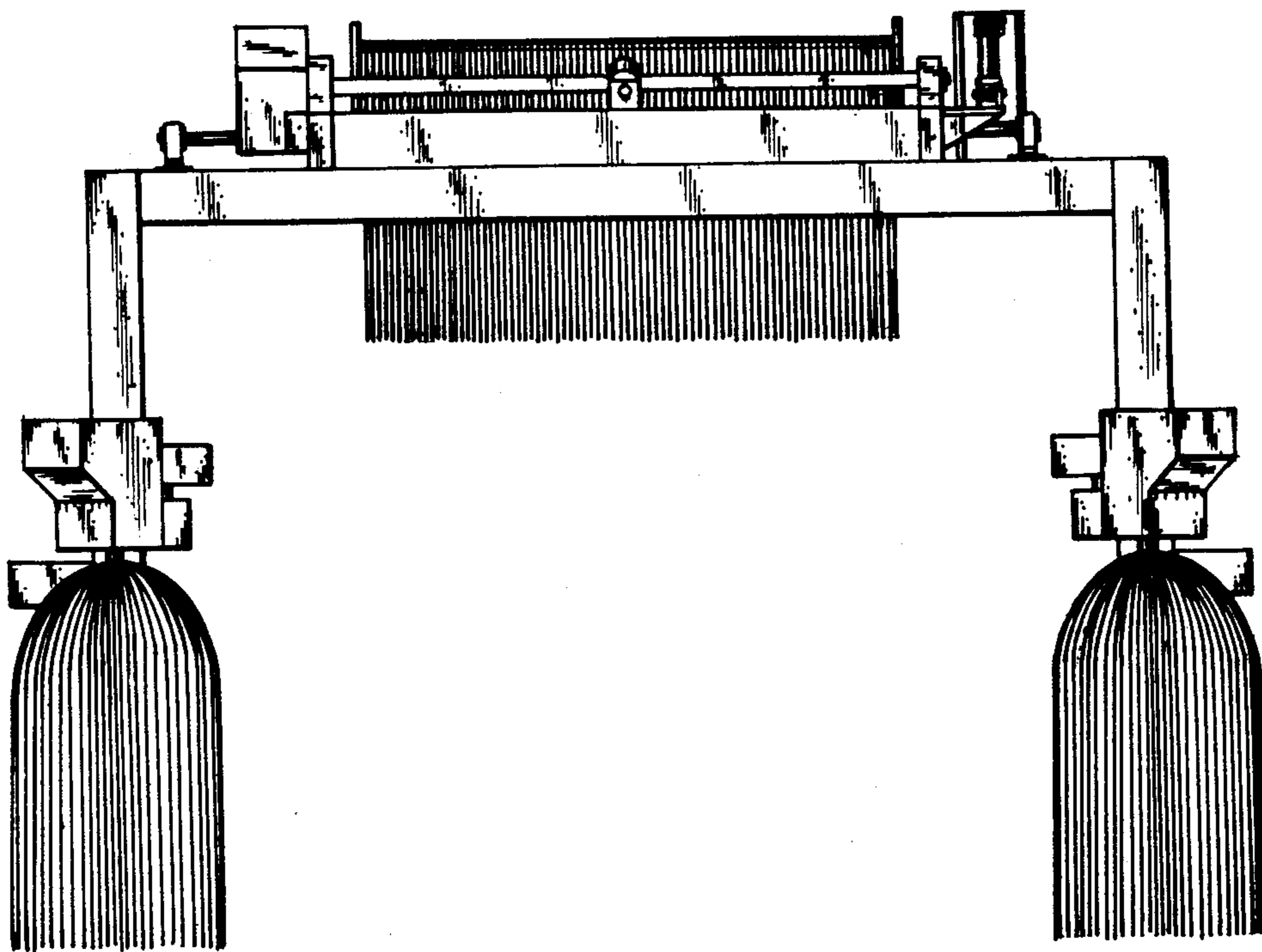


Fig. 3

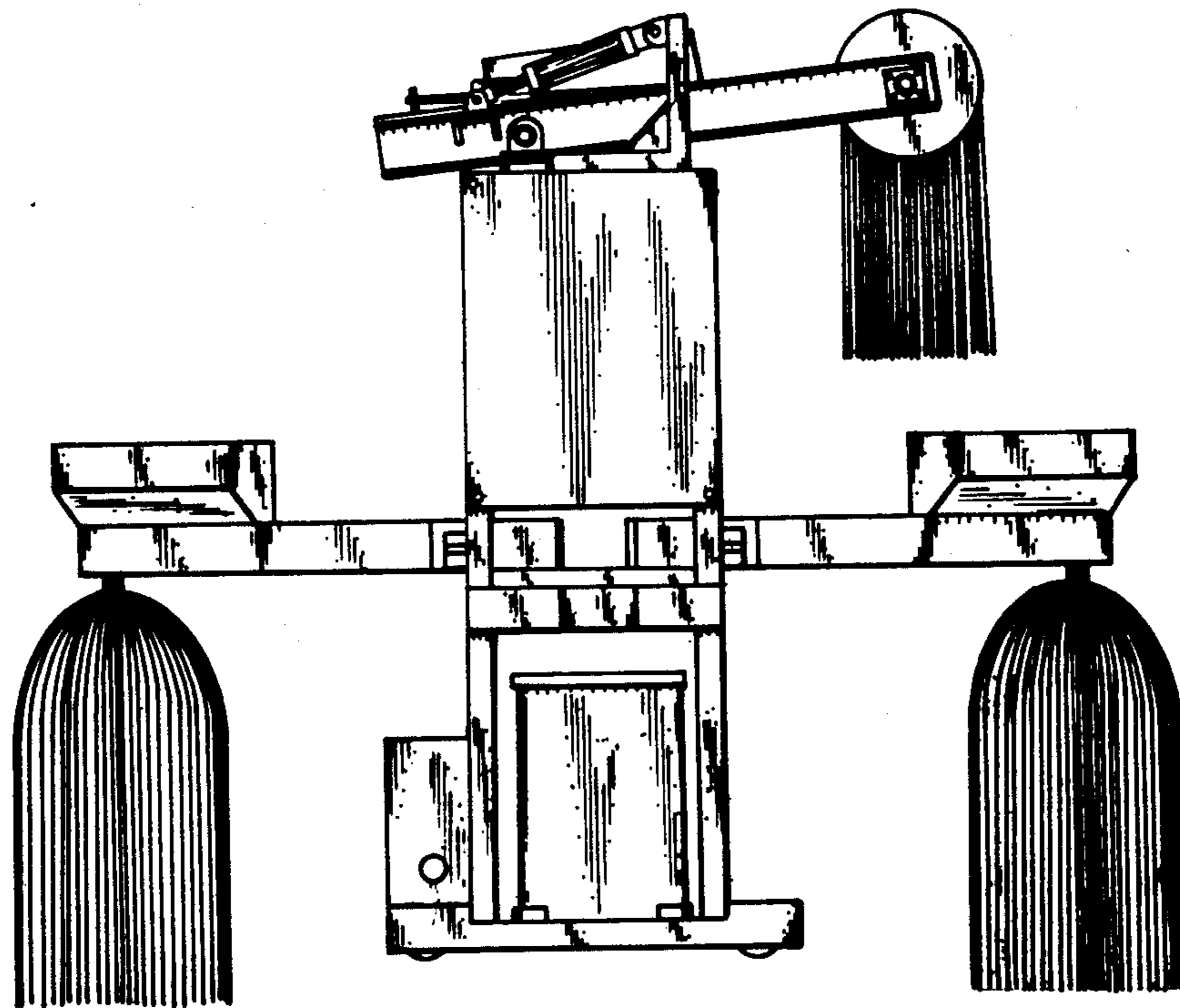


Fig. 4

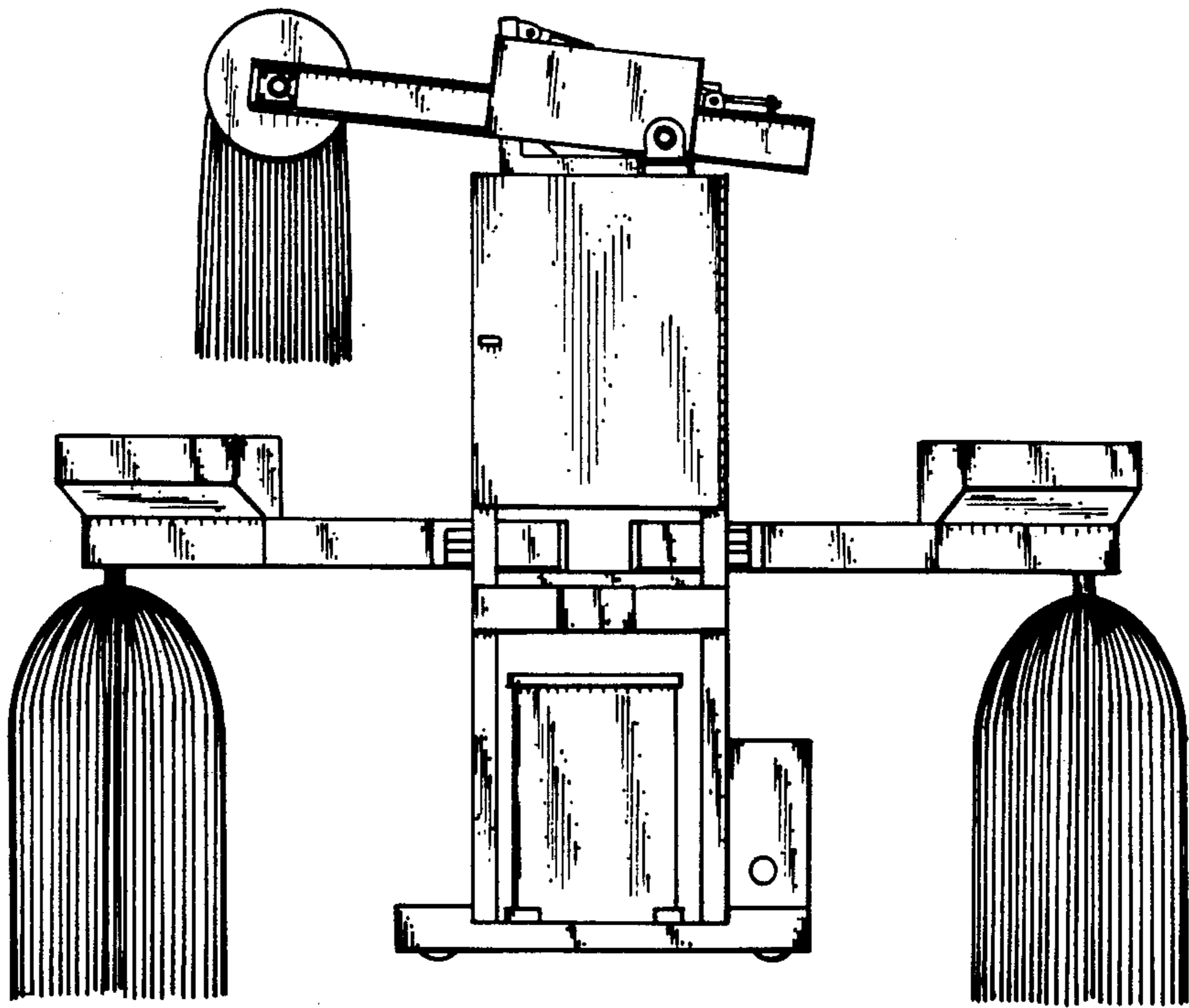


Fig. 5

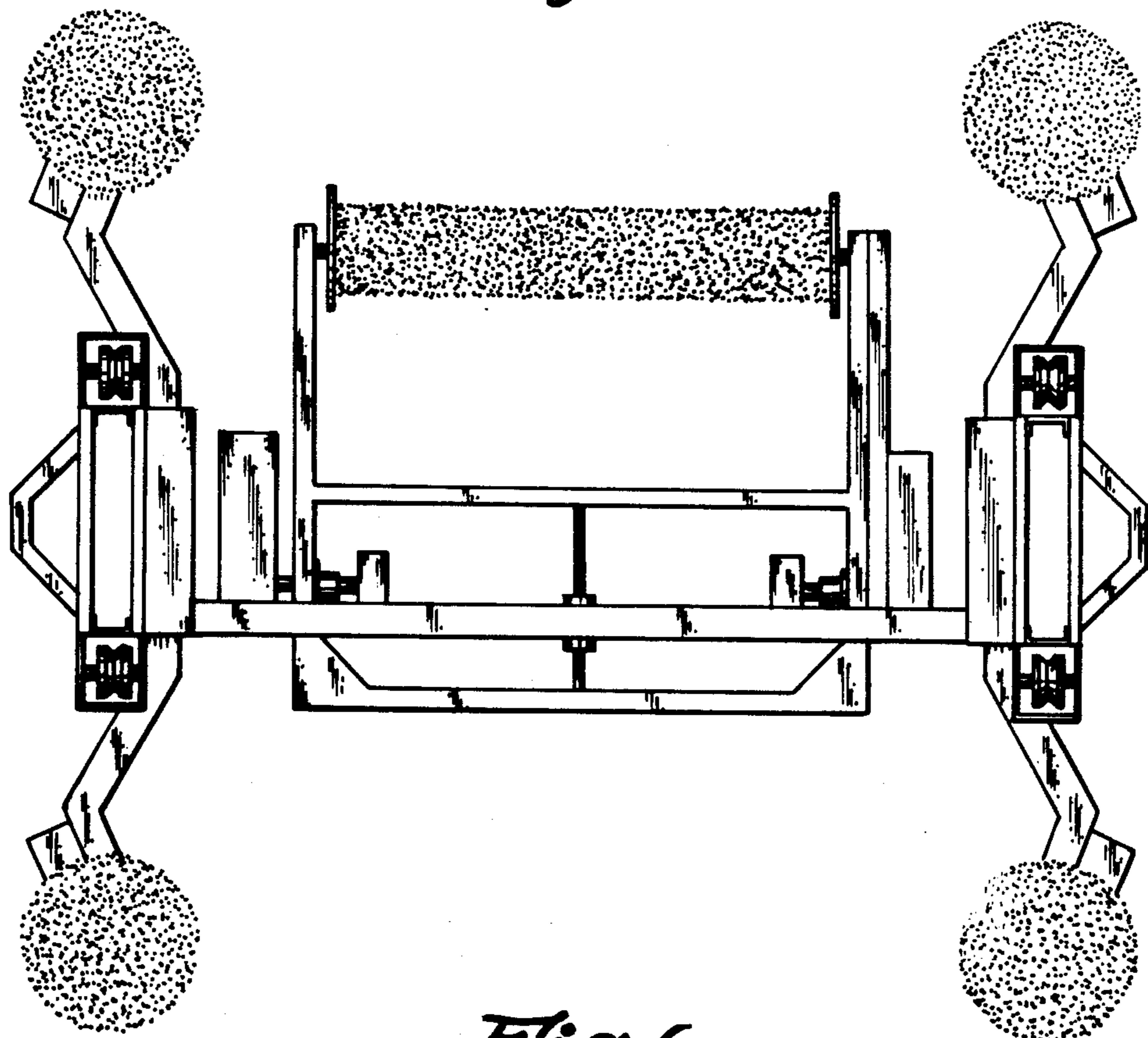


Fig. 6

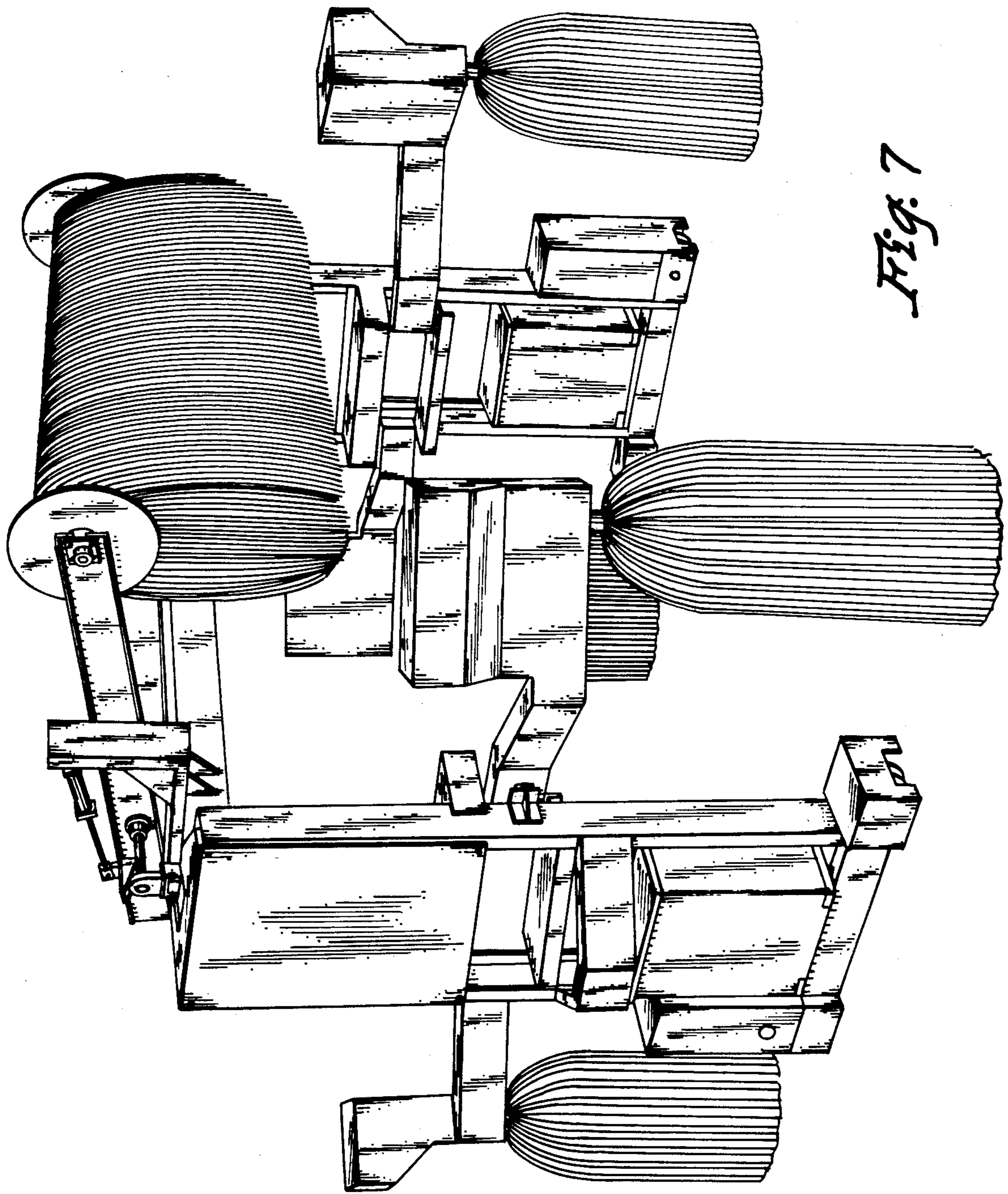


Fig. 7