

[54] FINE AND COARSE TUNING ASSEMBLY FOR CAVITIES

[75] Inventor: James E. Scott, Austell, Ga.

[73] Assignee: The United States of America as represented by the Field Operations Bureau of the Federal Communications Commission, Washington, D.C.

[**] Term: 14 Years

[21] Appl. No.: 772,713

[22] Filed: Feb. 28, 1977

Related U.S. Application Data

[63] Continuation-in-part of Ser. No. D. 624,517, Oct. 21, 1975, abandoned.

[51] Int. Cl. D14-99

[52] U.S. Cl. D14/99

[58] Field of Search 334/15; 333/83 R, 81, 333/82; 332/29; D14/99, 76

[56] References Cited

U.S. PATENT DOCUMENTS

3,601,723	10/1968	Johnson	333/83 R
3,757,204	9/1973	Hyde	333/83 R X
3,789,325	1/1974	Hoffman	333/83 R
3,845,424	10/1974	Martens	333/83 R

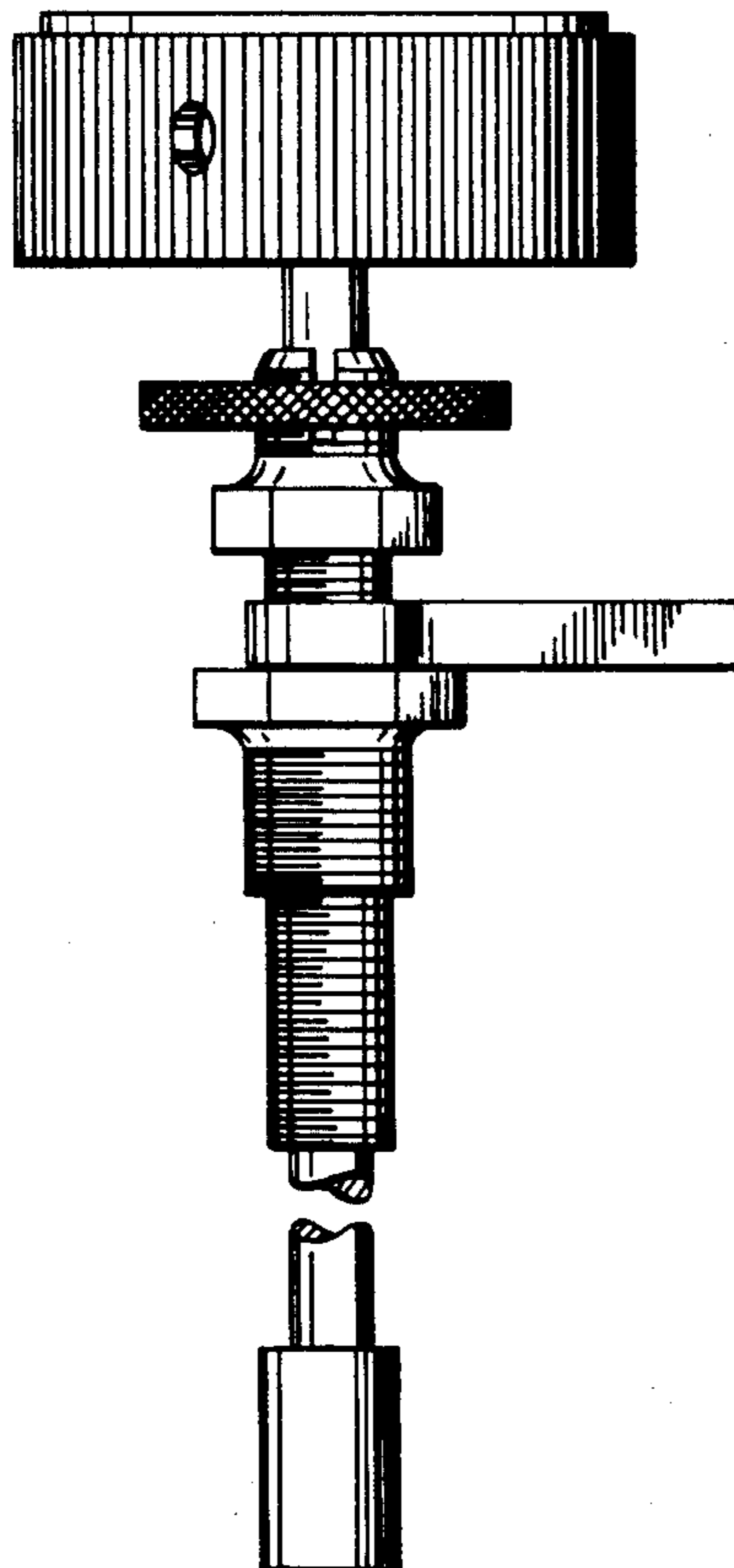
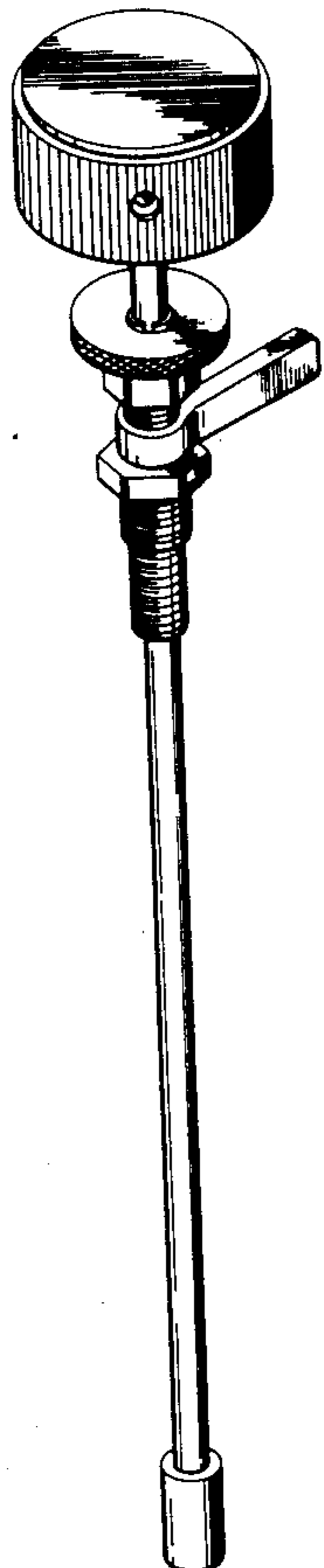
Primary Examiner—Bernard Ansher
Attorney, Agent, or Firm—Wm. Ferrel Bentley

[57] CLAIM

The ornamental design for a fine and coarse tuning assembly for cavities, as shown.

DESCRIPTION

FIG. 1 is a perspective view with both fine and coarse tuning adjustment in;
FIG. 2 is a perspective view with both fine and coarse tuning adjustment out;
FIG. 3 is a top plan view;
FIG. 4 is a side view; and;
FIG. 5 is a bottom plan view.



U.S. Patent

March 7, 1978

Des. 247,432

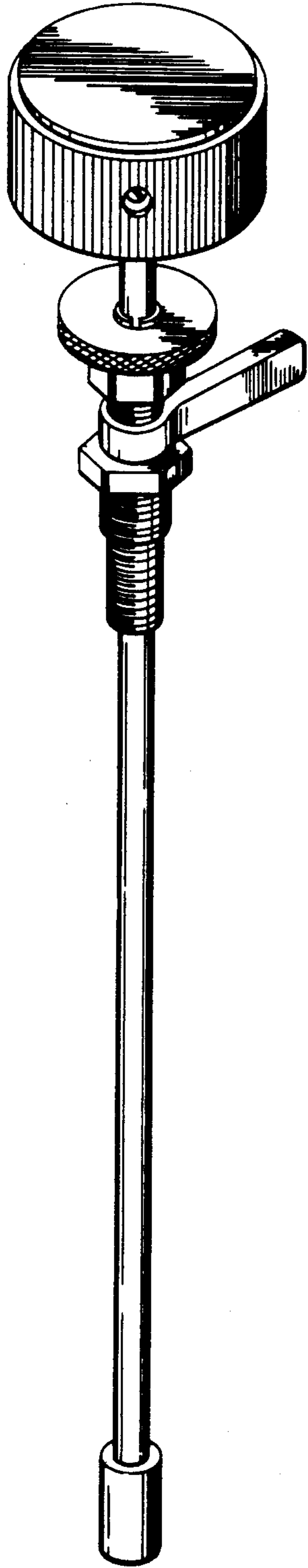


Fig. 1

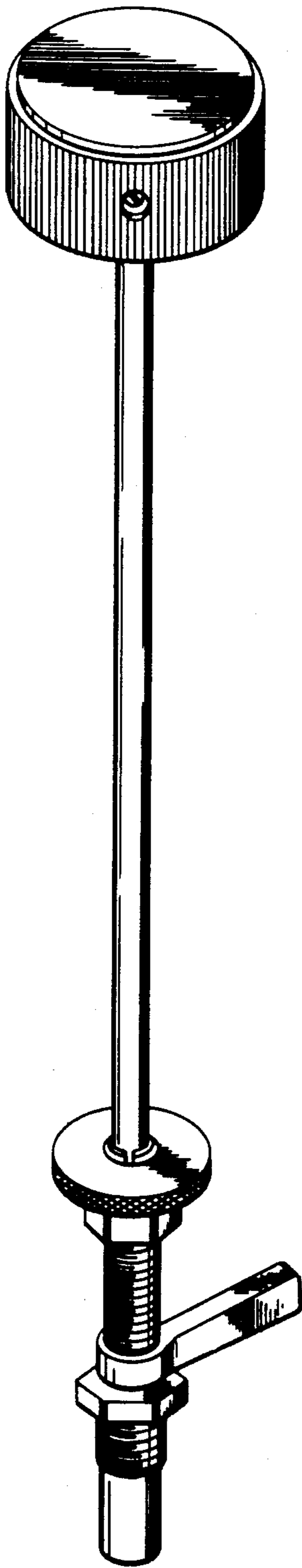


Fig. 2

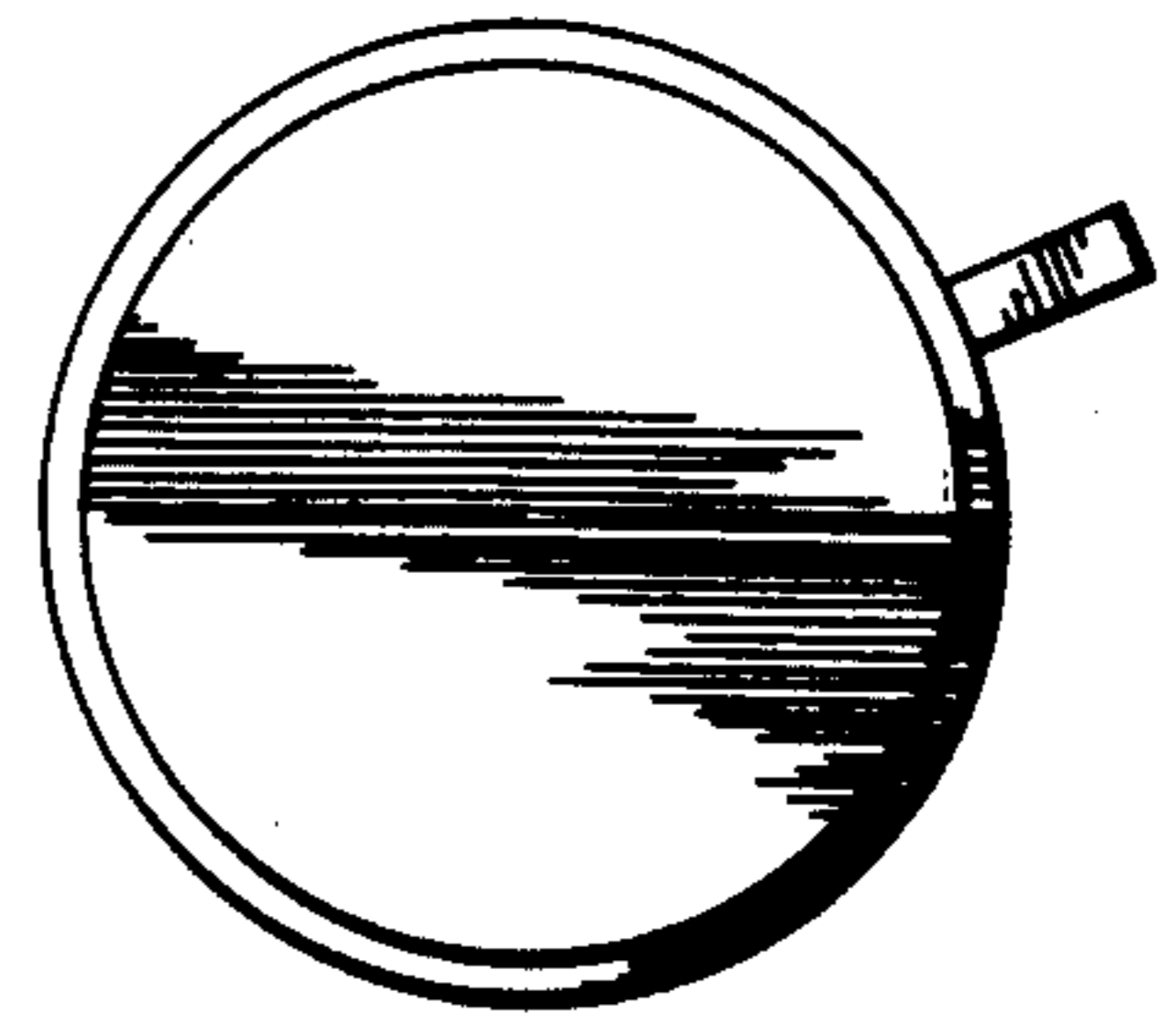


Fig. 3

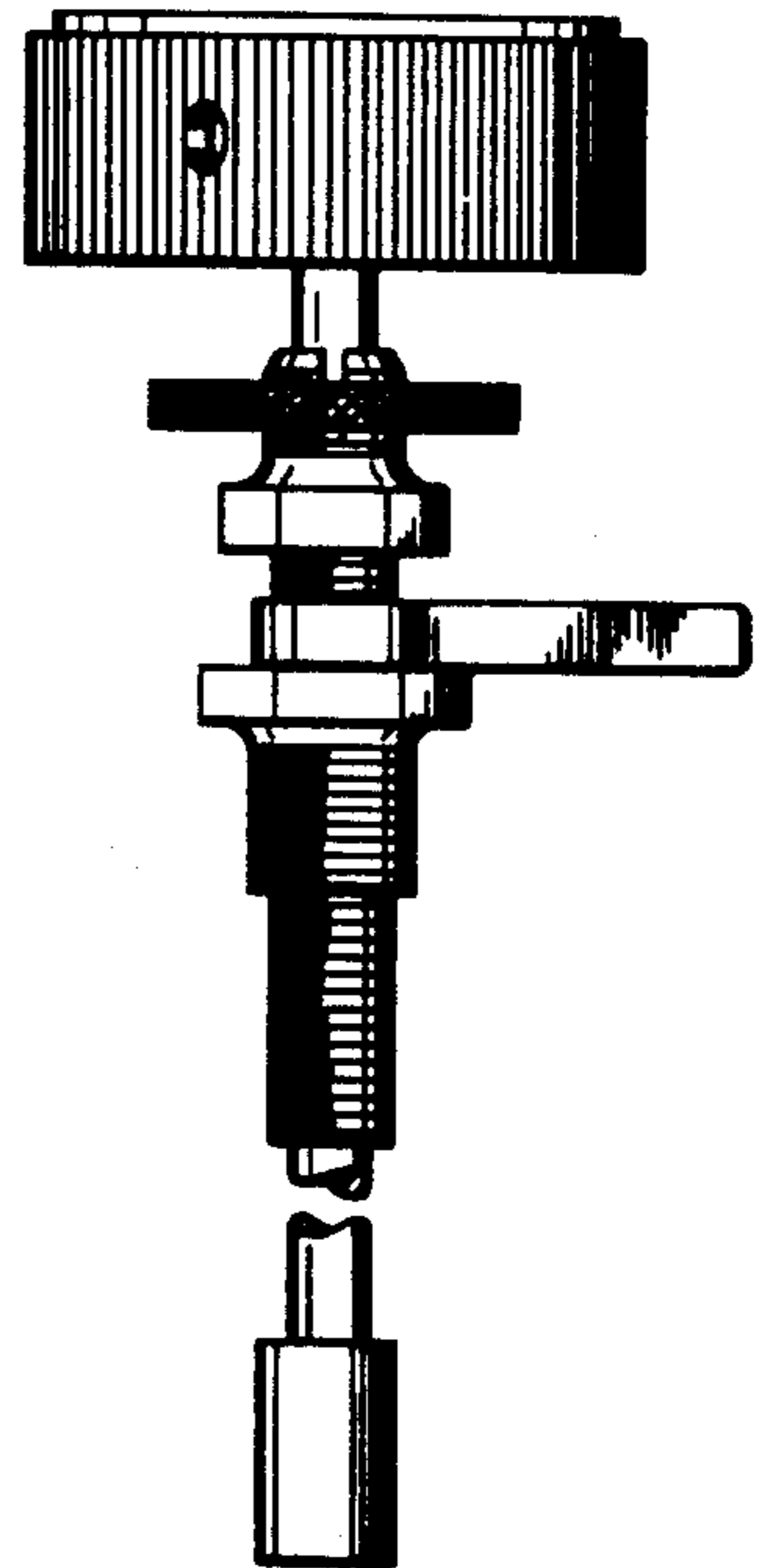


Fig. 4

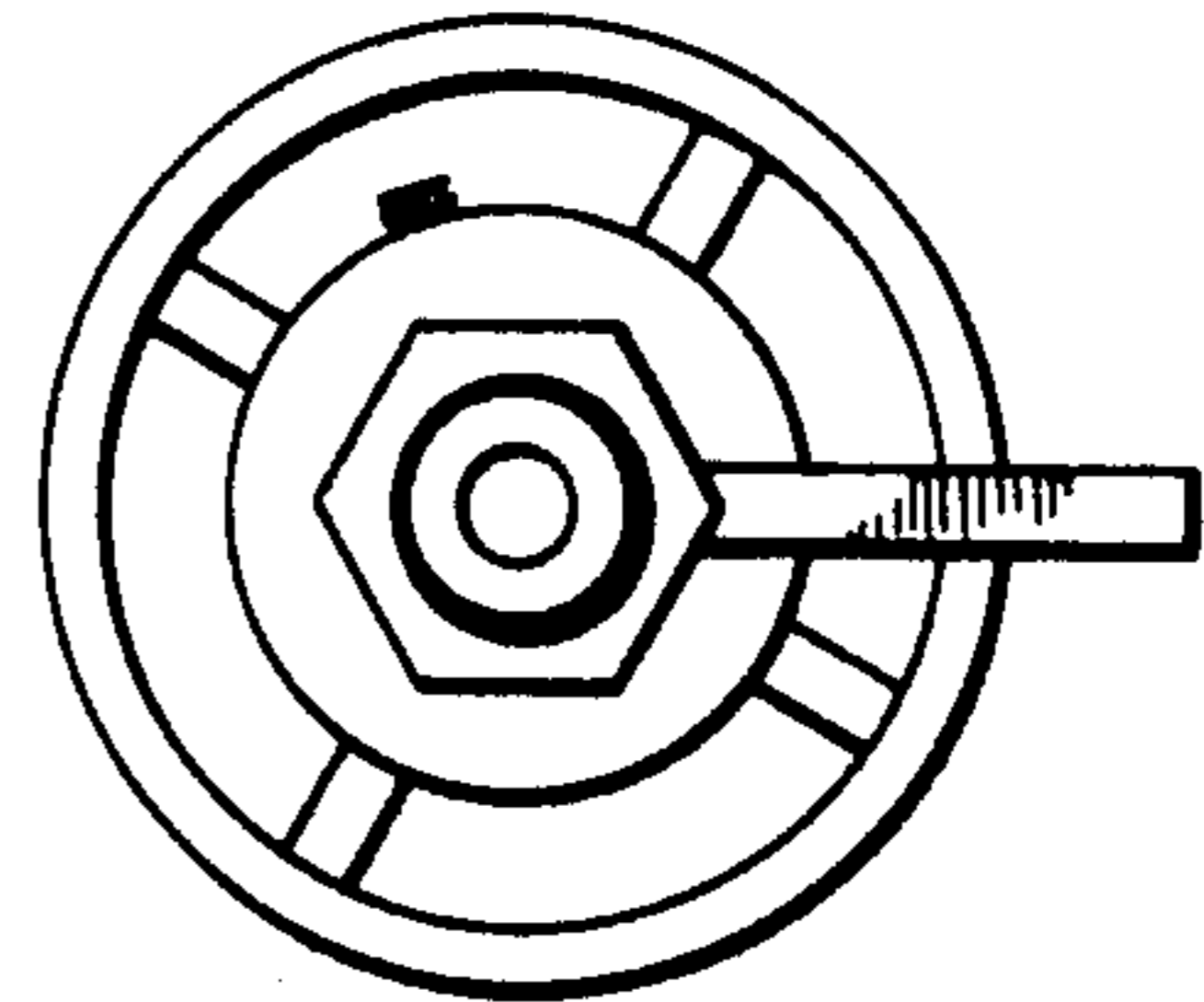


Fig. 5