

[54] LEVEL

[76] Inventor: **John L. Wood**, 141 Edmonton Rd.,  
Te Atatu South, Auckland, New  
Zealand

[\*\*] Term: **14 Years**

[21] Appl. No.: **638,400**

[22] Filed: **Dec. 8, 1975**

[30] **Foreign Application Priority Data**  
Jun. 6, 1975 New Zealand ..... 14081

[51] Int. Cl. .... **D10-04**

[52] U.S. Cl. .... **D10/82**

[58] Field of Search ..... **D10/69, 82; 33/370,  
33/371, 390**

[56] **References Cited**

**U.S. PATENT DOCUMENTS**

D. 138,392	8/1944	Bernard .....	D10/69
D. 181,107	10/1957	Rexroat .....	D10/82
D. 184,619	3/1959	Hammeter .....	D10/82
D. 201,769	7/1965	Rexroat .....	D10/82
1,893,988	1/1933	French .....	33/390
2,270,657	1/1942	Kraft .....	D10/82 X
2,432,124	12/1947	Raines .....	33/390
2,720,110	10/1955	Lucht .....	D10/82 X

*Primary Examiner*—Nelson C. Holtje  
*Attorney, Agent, or Firm*—William A. Drucker

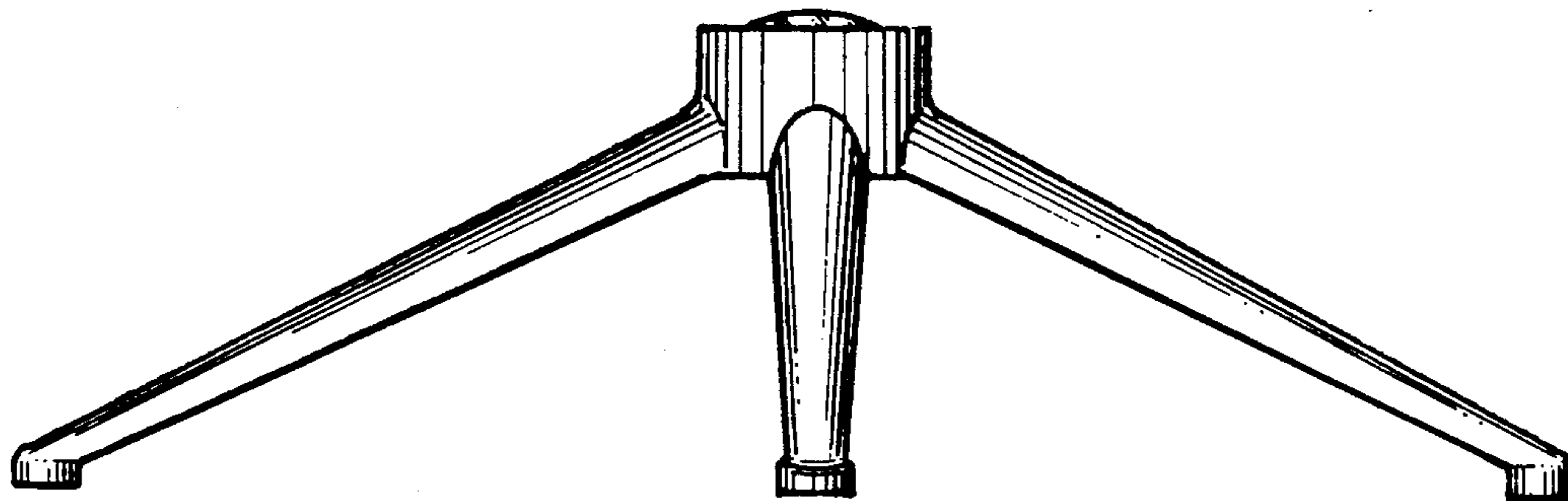
[57] **CLAIM**

The ornamental design for the level, as shown.

**DESCRIPTION**

FIG. 1 is a top plan view of a level showing my new design, the bottom being substantially plain and unornamented;

FIG. 2 is a typical side elevational view thereof.



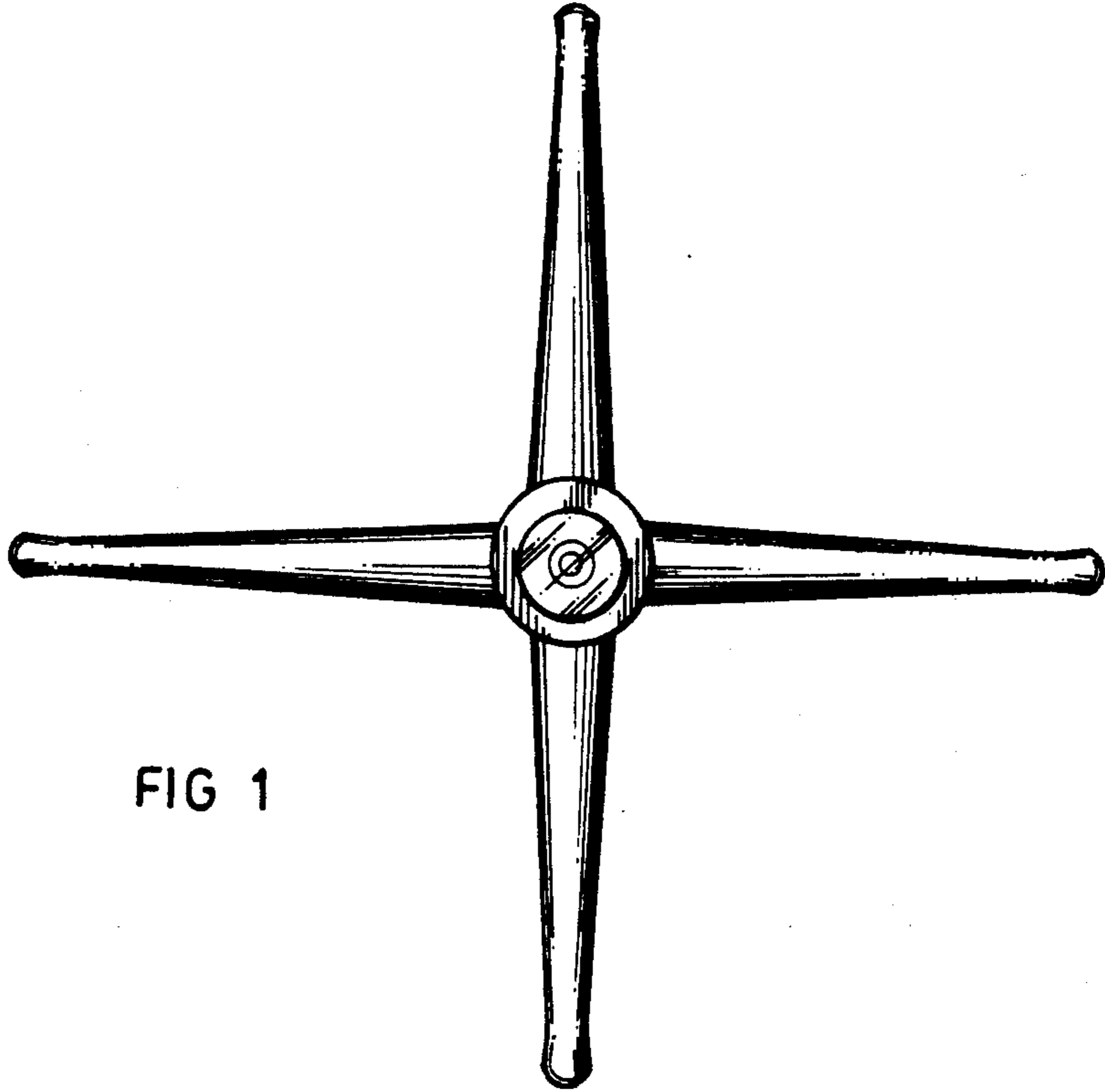


FIG 1

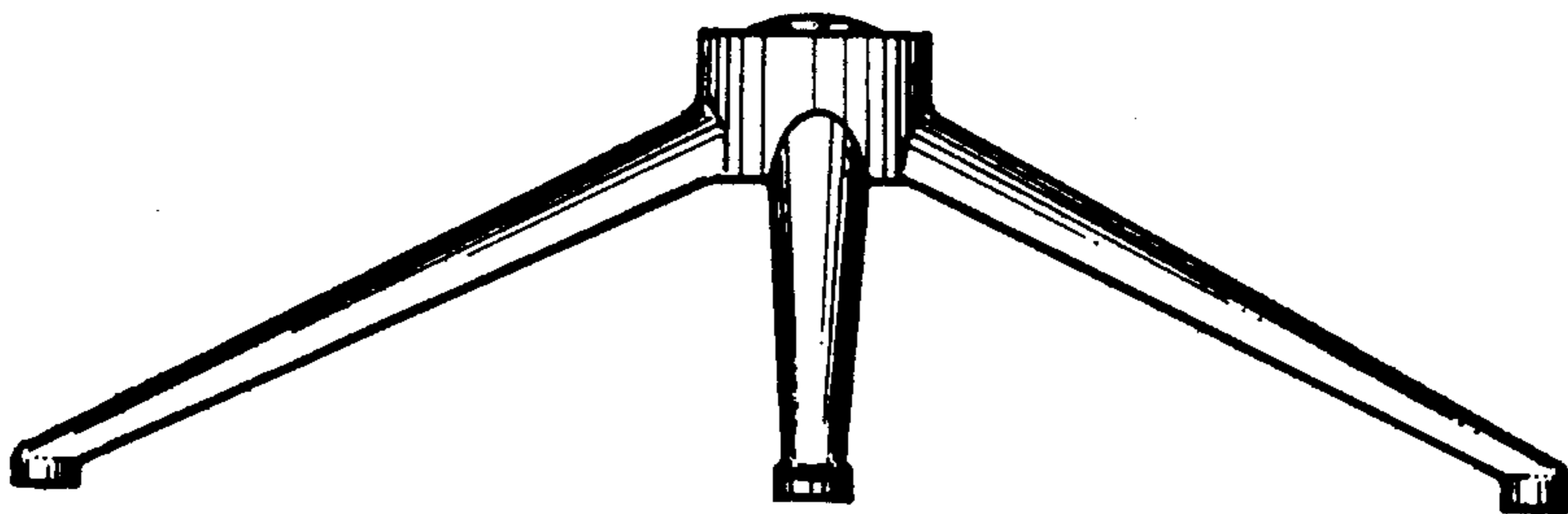


FIG 2