

[54] PACKAGING TRAY FOR SAUSAGE OR THE LIKE

[75] Inventor: Edward N. Montesi, Barrington, R.I.

[73] Assignee: Dart Industries Inc., Los Angeles, Calif.

[**] Term: 14 Years

[21] Appl. No.: 665,198

[22] Filed: Mar. 9, 1976

[51] Int. Cl. D9-03

[52] U.S. Cl. D9/242

[58] Field of Search D9/219, 242, 243; 229/2.5

[56] References Cited

U.S. PATENT DOCUMENTS

D. 227,084	6/1973	Karlsen	D9/242
D. 240,355	6/1976	Chadbourne	D9/219
D. 244,352	5/1977	Congleton	D9/219
3,155,303	11/1964	Fenkel	229/2.5
3,450,326	6/1969	Foote	D9/219 X

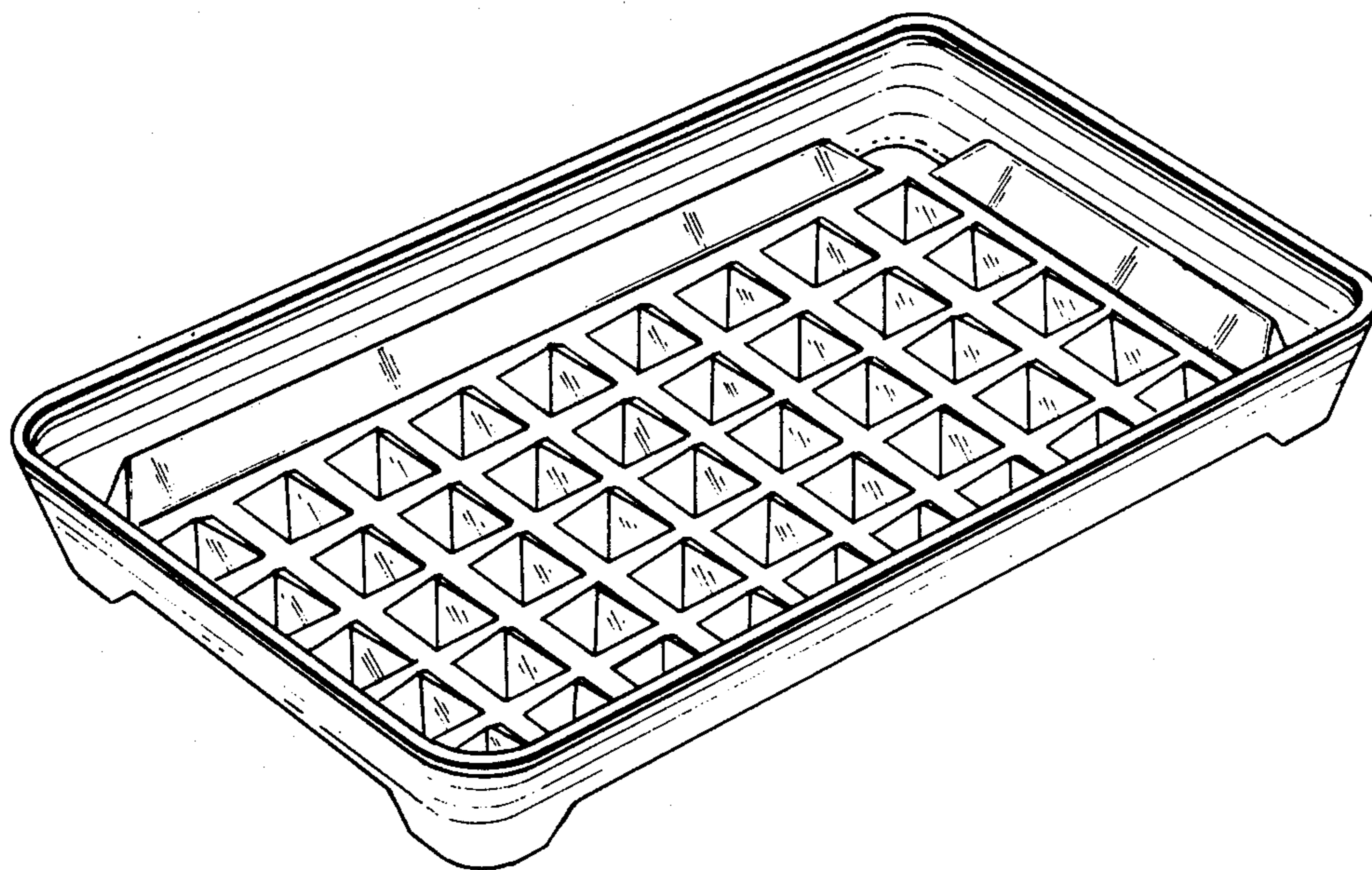
Primary Examiner—Robert C. Spangler
Attorney, Agent, or Firm—Leigh B. Taylor

[57] CLAIM

The ornamental design for a packaging tray for sausage or the like, substantially as shown.

DESCRIPTION

FIG. 1 is a perspective view of the packaging tray for sausage or the like embodying my new design;
FIG. 2 is a top plan view thereof;
FIG. 3 is a bottom plan view thereof;
FIG. 4 is a side view thereof;
FIG. 5 is an end view thereof; and
FIG. 6 is a cross-section taken on line 6—6 of FIG. 2.



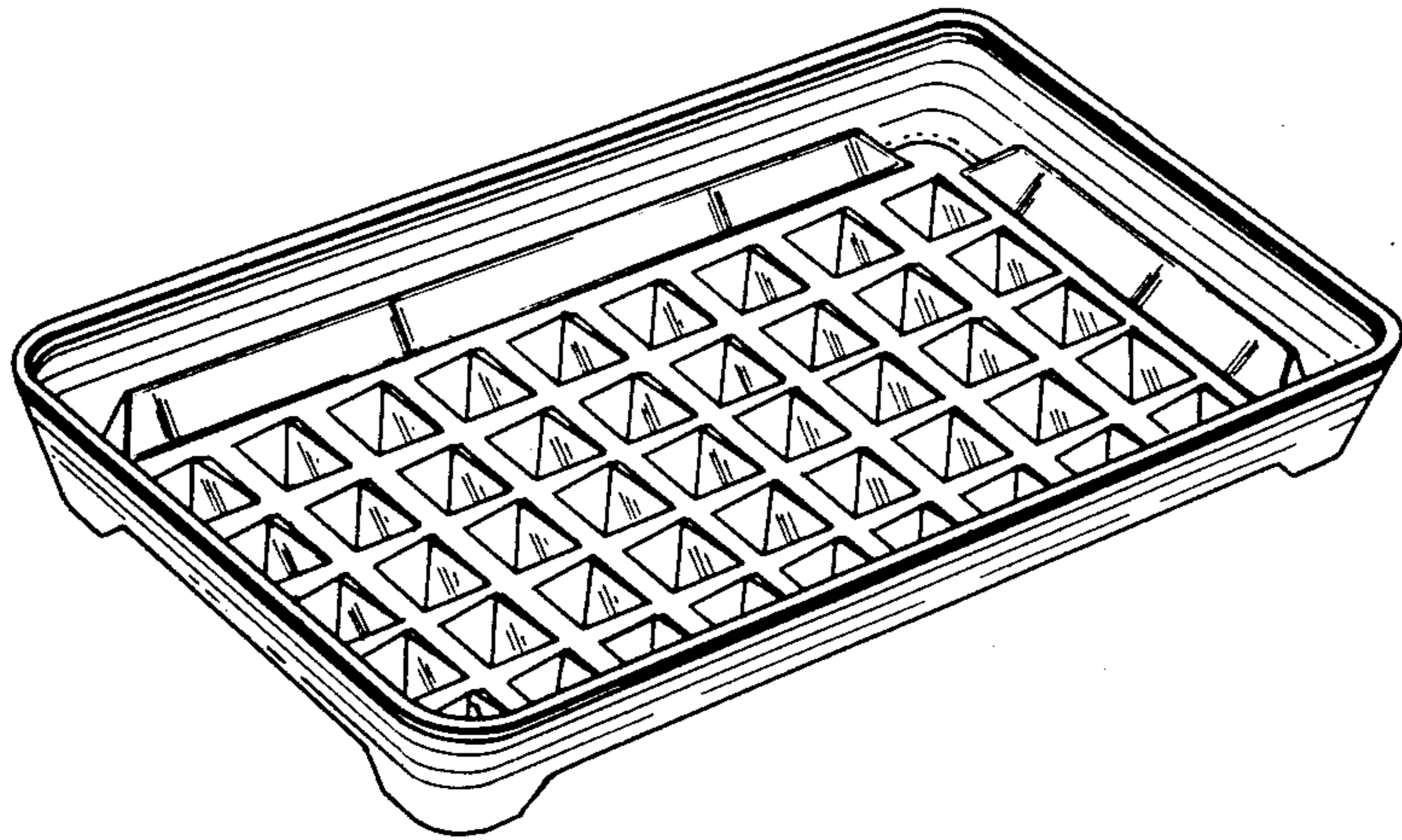


FIG. 1

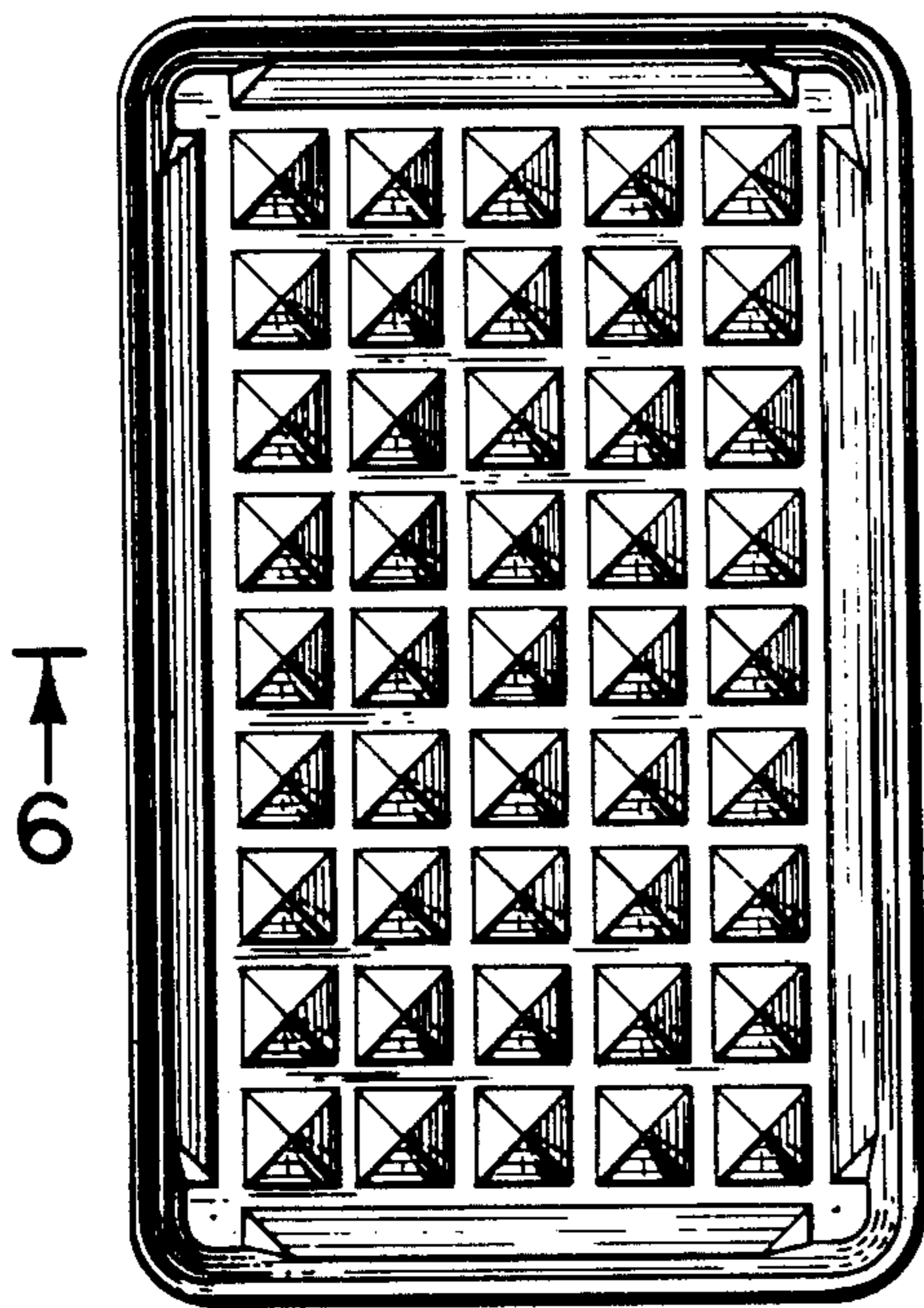


FIG. 2

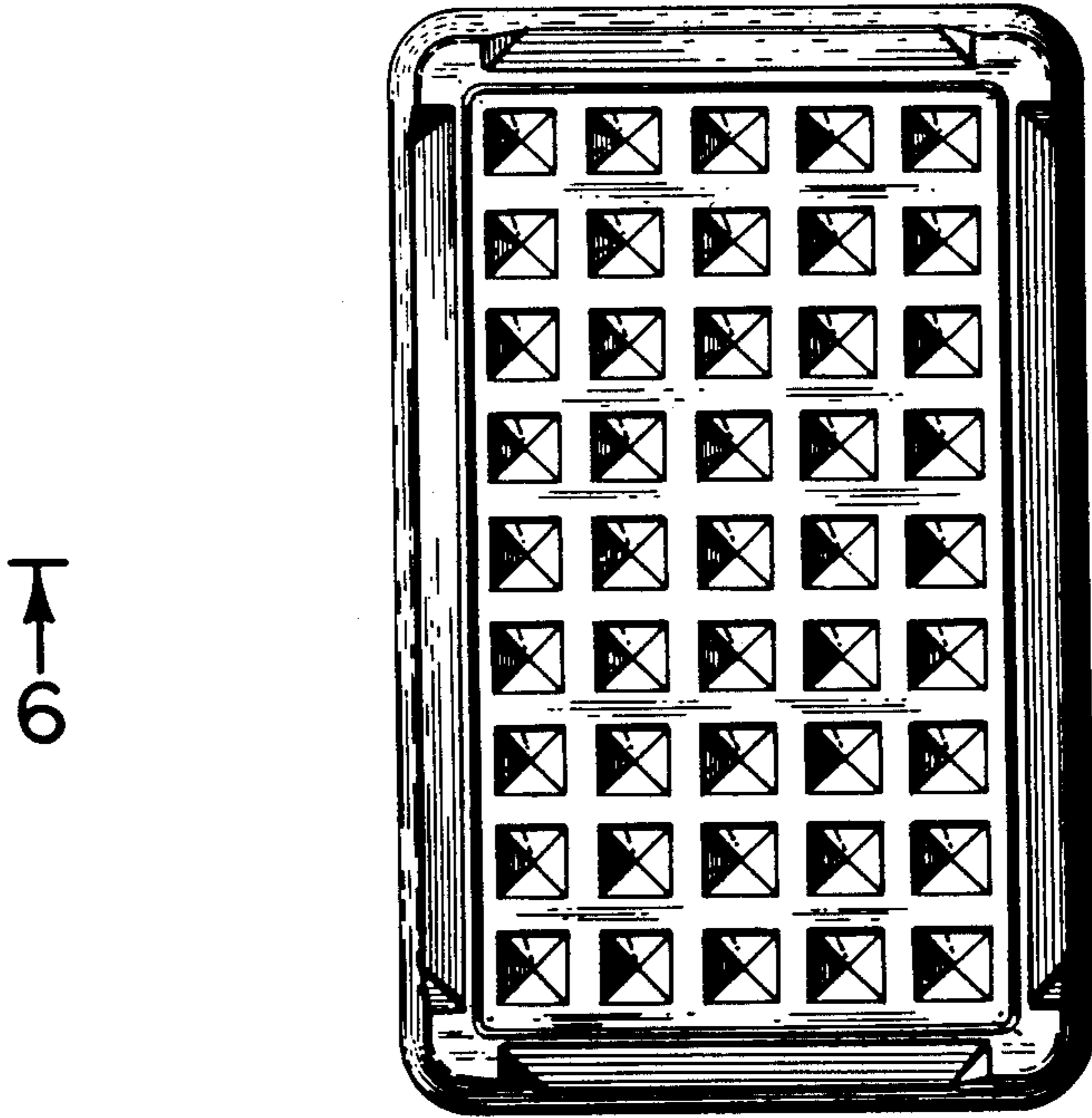


FIG. 3

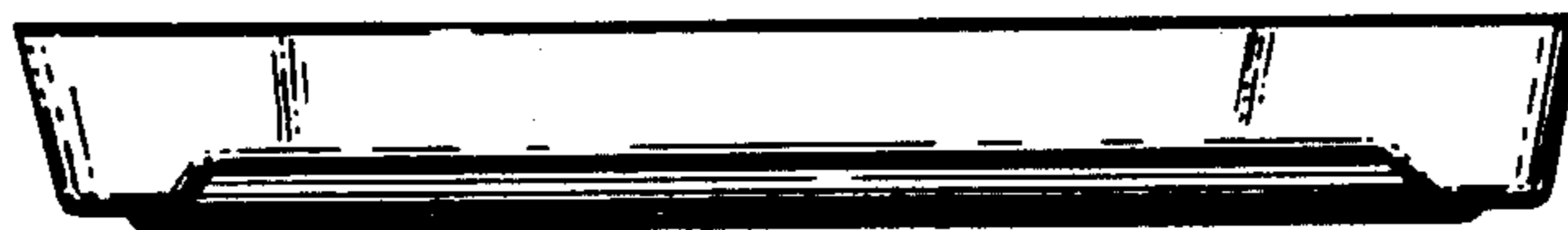


FIG. 4

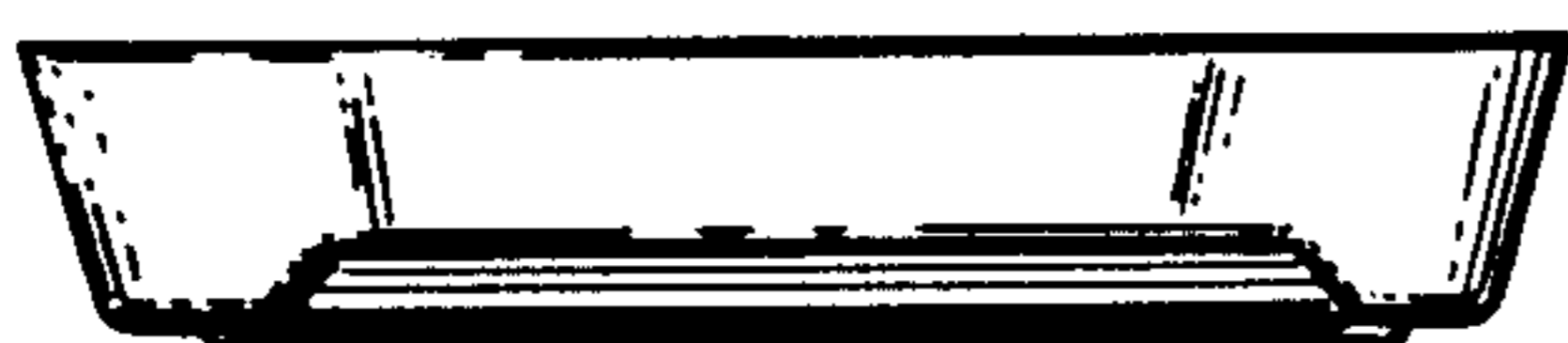


FIG. 5



FIG. 6