

[54] ANTI-THEFT GUARD FOR THE IGNITION SWITCH OF A MOTOR VEHICLE

[76] Inventor: Morris Kaplan, 4800 S. Chicago Beach Dr., Chicago, Ill. 60615

[\*\*] Term: 14 Years

[21] Appl. No.: 774,777

[22] Filed: Mar. 7, 1977

[51] Int. Cl. .... D8-07

[52] U.S. Cl. .... D8/333

[58] Field of Search ..... D8/333, 330, 339, 341; 70/252, 14, 424, 428, 237, 18

[56] References Cited

U.S. PATENT DOCUMENTS

D. 59,580	11/1921	Copeland .....	D8/333
D. 227,547	7/1973	Bodan .....	D8/333
958,706	5/1910	Chambless .....	70/18
1,594,586	8/1926	Anderson .....	70/18
3,811,303	5/1974	Robertson .....	70/237

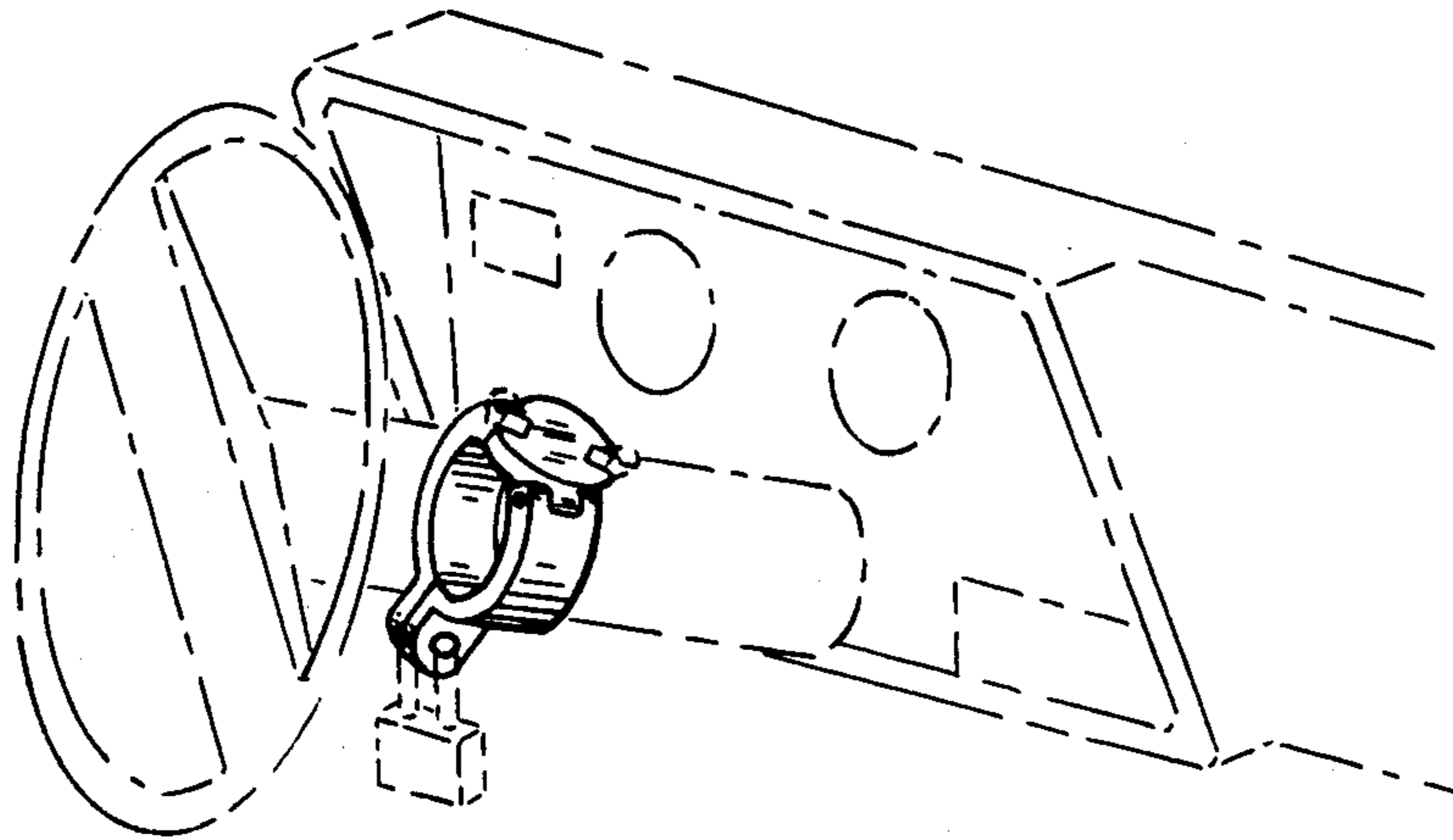
Primary Examiner—Wallace R. Burke  
Assistant Examiner—James M. Gandy  
Attorney, Agent, or Firm—Nathan N. Kraus

[57] CLAIM

The ornamental design for an anti-theft guard for the ignition switch of a motor vehicle, as shown and described.

DESCRIPTION

FIG. 1 is a top plan view of the anti-theft guard for the ignition switch of a motor vehicle showing my new design, it being understood that the bottom is substantially a mirror image thereof;  
FIG. 2 is a side elevational view thereof;  
FIG. 3 is a side elevational view thereof showing the side opposite to that shown in FIG. 2;  
FIG. 4 is a front elevational view thereof;  
FIG. 5 is a rear elevational view thereof; and,  
FIG. 6 is a perspective view thereof on a reduced scale, it being understood that the broken lines are for illustrative purposes only.



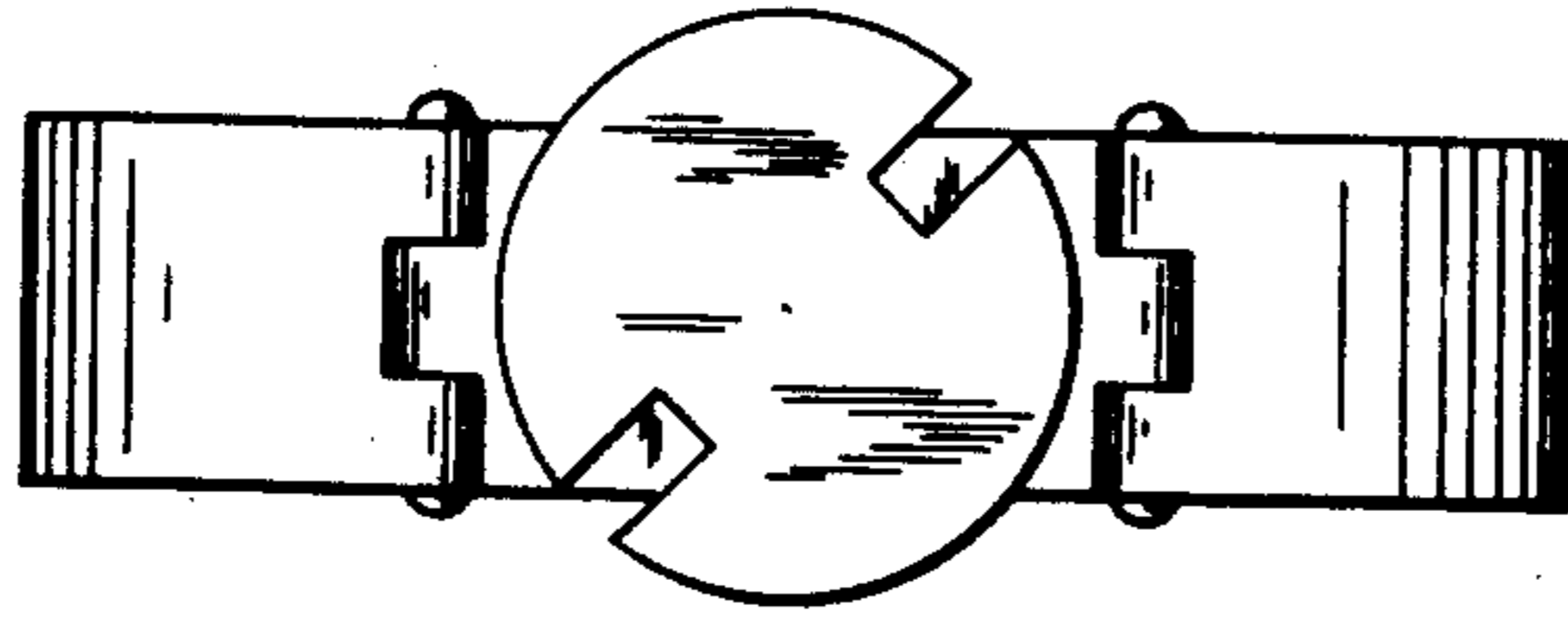


FIG. 4

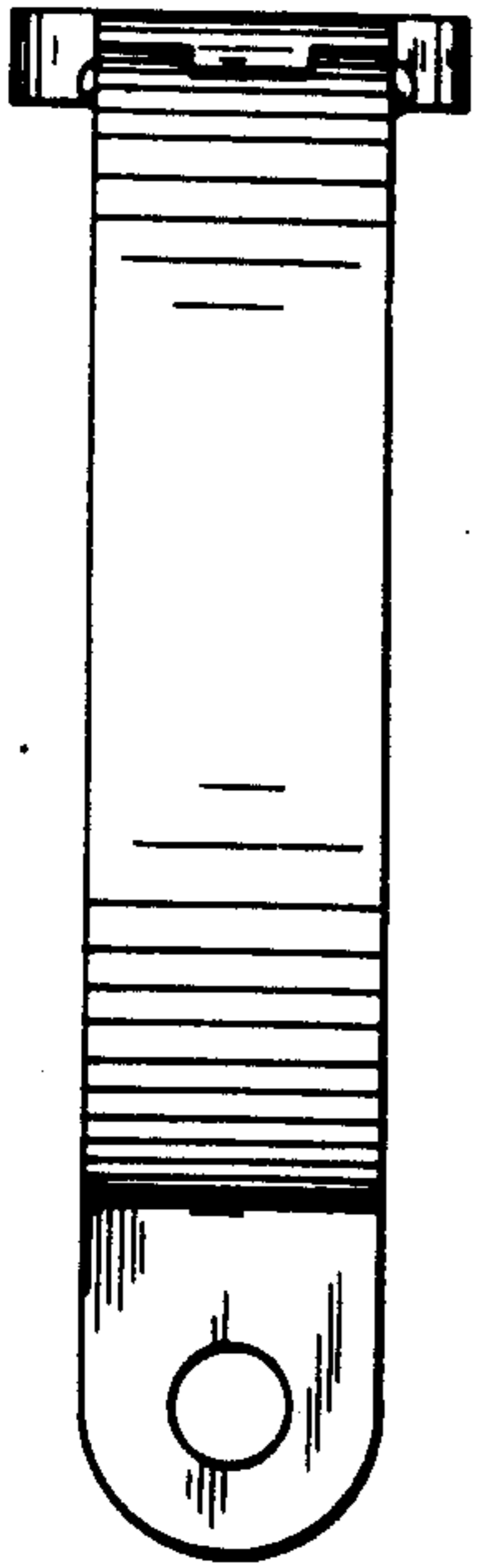


FIG. 2

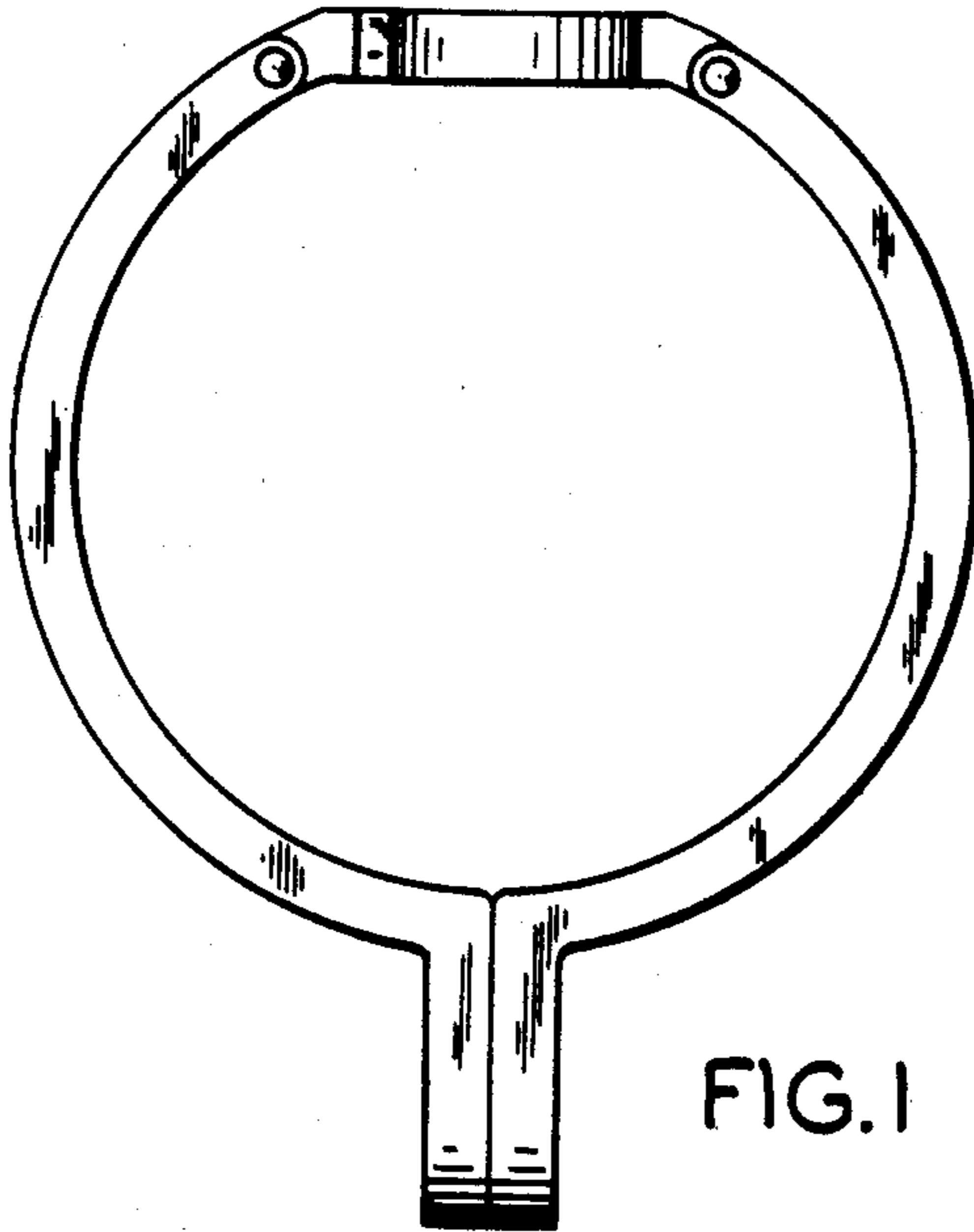


FIG. 1

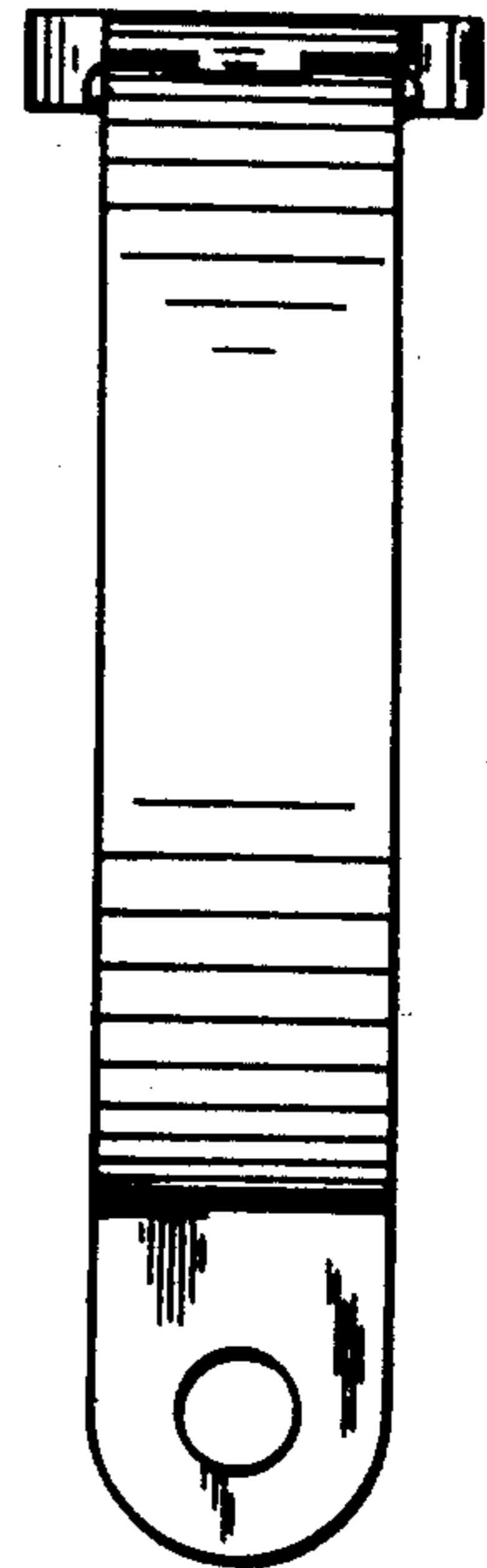


FIG. 3

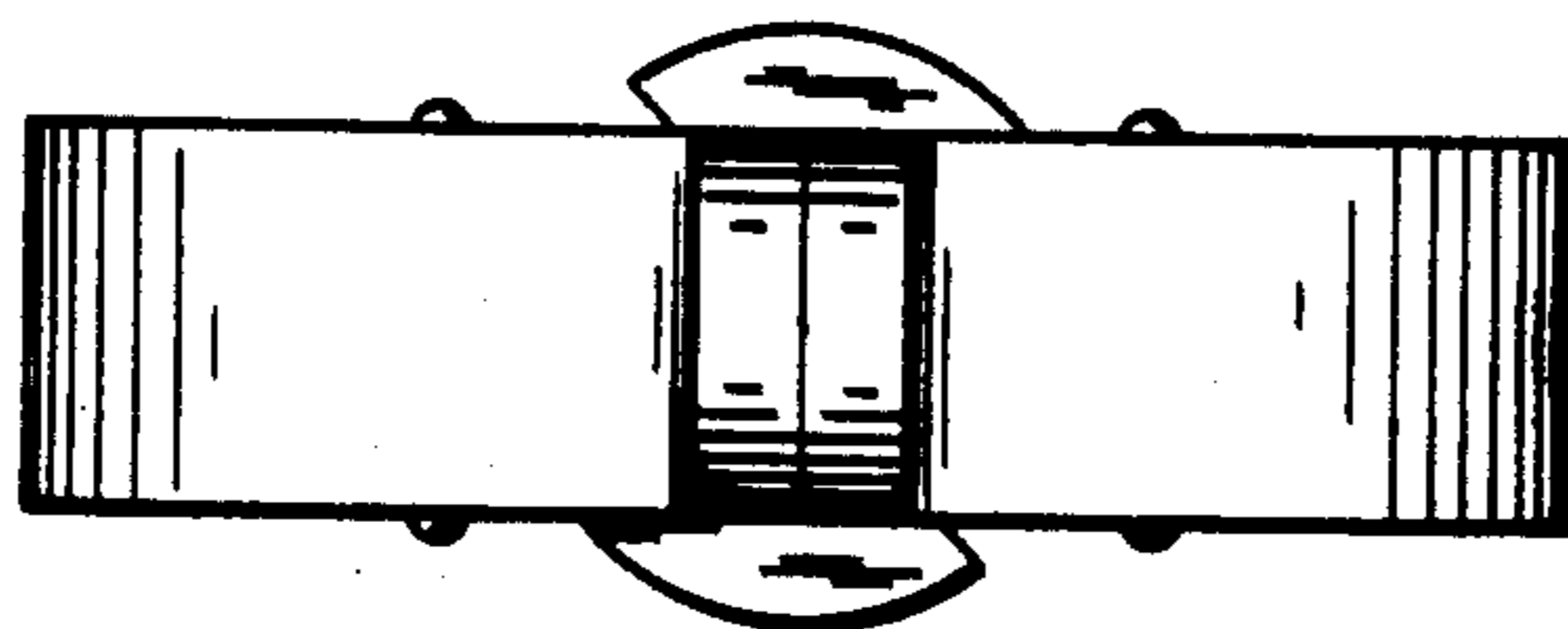


FIG. 5

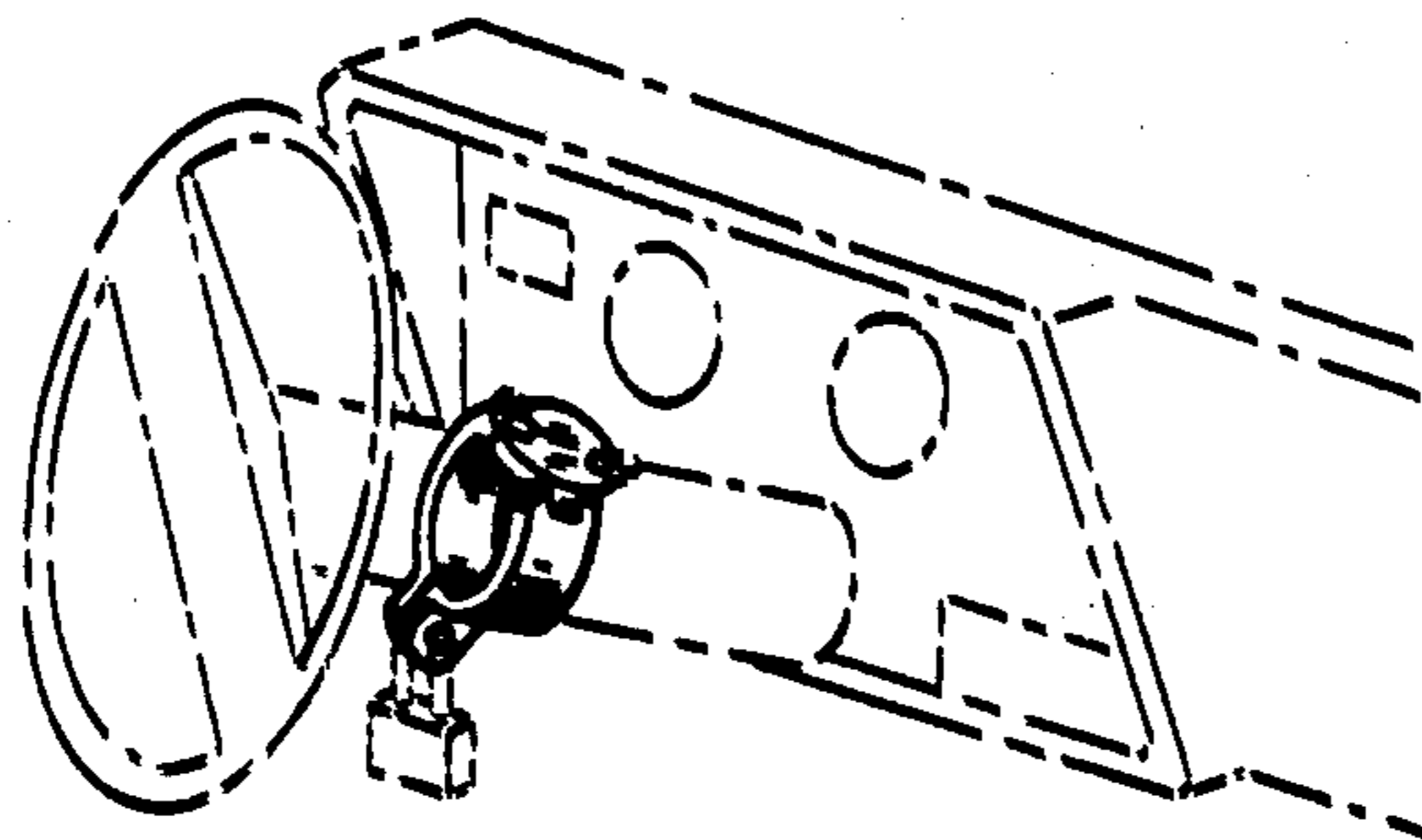


FIG. 6