

[54] **ELECTRODE HOLDER**
[76] Inventor: **John J. Driscoll**, 422 S. 18th St.,
Allentown, Pa. 18104
[**] Term: **14 Years**
[21] Appl. No.: **761,542**
[22] Filed: **Jan. 21, 1977**
[51] Int. Cl. **D8-05**
[52] U.S. Cl. **D8/30**
[58] Field of Search **D8/30; D15/144; 219/70,**
219/138, 139, 140, 141, 142, 143, 144

[56] **References Cited**
U.S. PATENT DOCUMENTS
D. 223,986 6/1972 Muehlberger et al. **D8/30**
D. 231,597 5/1974 Dinse **D8/30**

2,930,884 3/1960 Monax 219/138
3,187,154 6/1965 Stepath 219/70

Primary Examiner—Alan P. Douglas
Attorney, Agent, or Firm—Charles H. Howson, Jr.

[57] **CLAIM**

The ornamental design for an electrode holder, substantially as shown and described.

DESCRIPTION

FIG. 1 is an elevational view of the righthand side of an electrode holder embodying my new design;
FIG. 2 is an elevational view of the lefthand side thereof;
FIG. 3 is a plan view thereof;
FIG. 4 is an inverted plan view thereof;
FIG. 5 is a front elevational view thereof; and
FIG. 6 is a rear elevational view thereof.

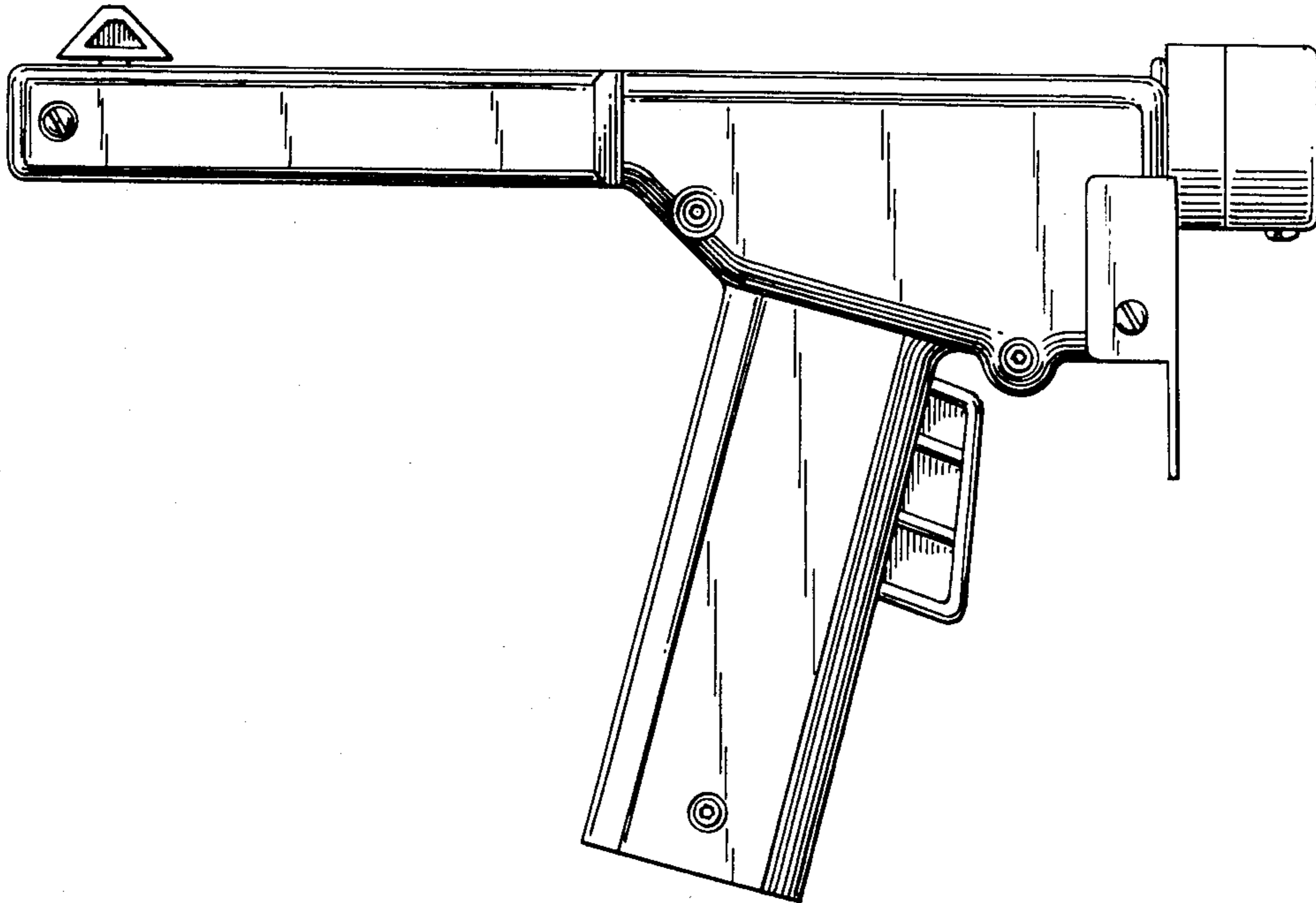


FIG. 1.

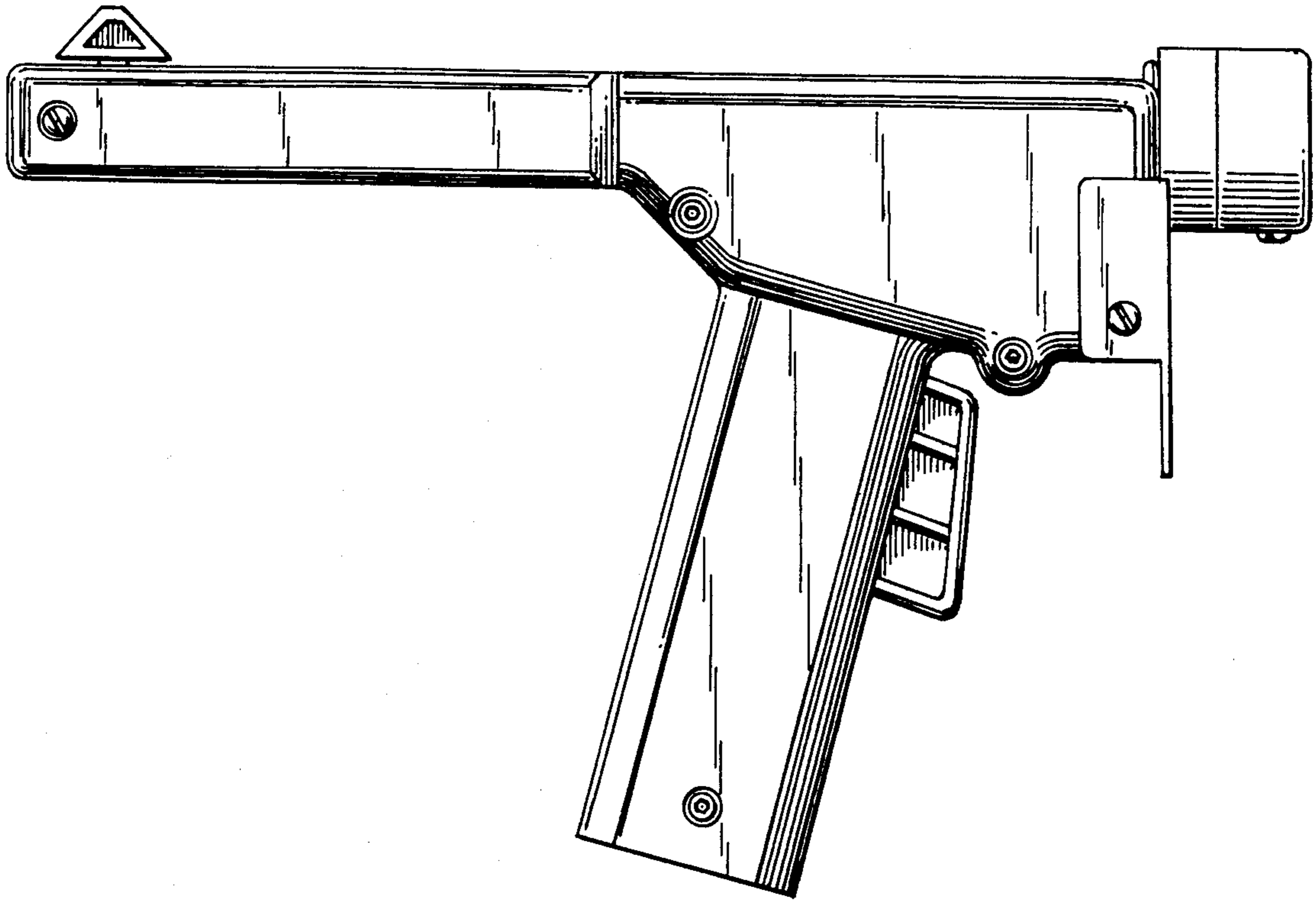


FIG. 2.

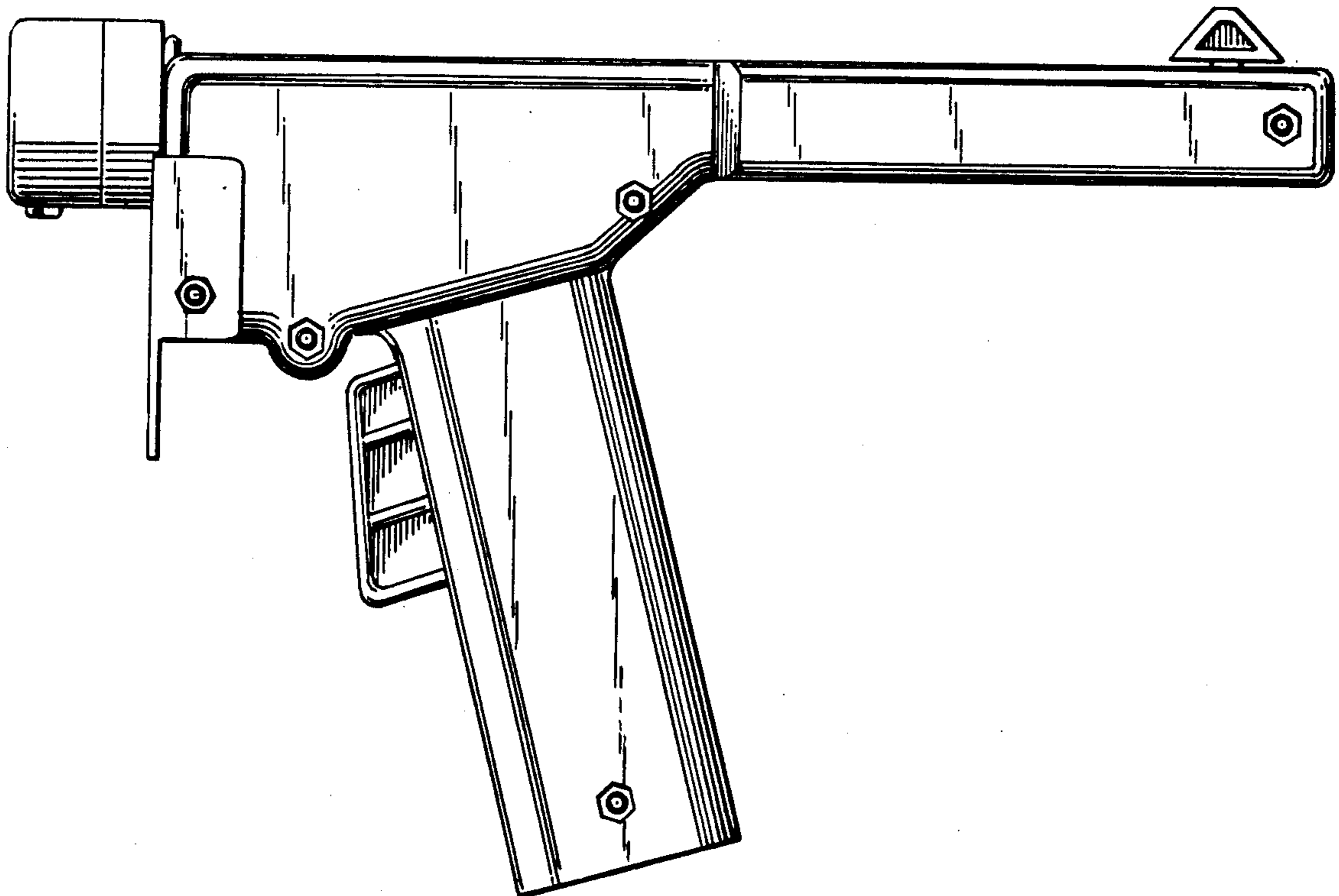


FIG.3.

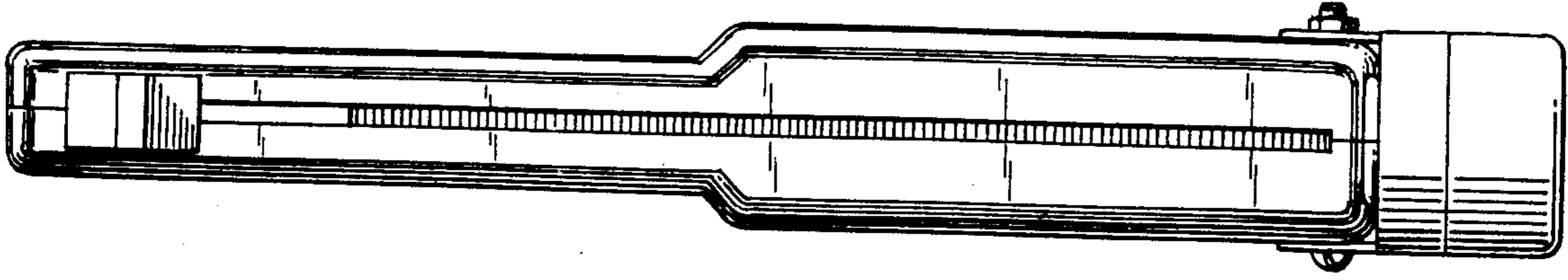


FIG.4.

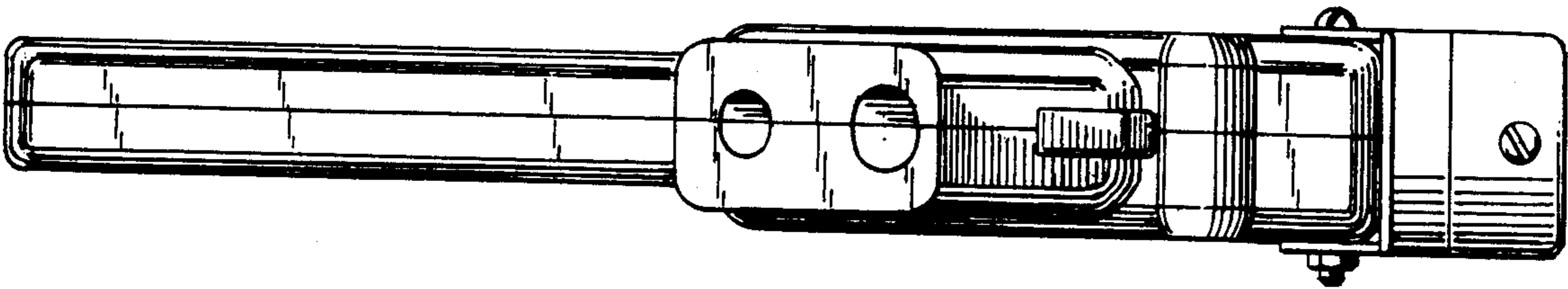


FIG.5.

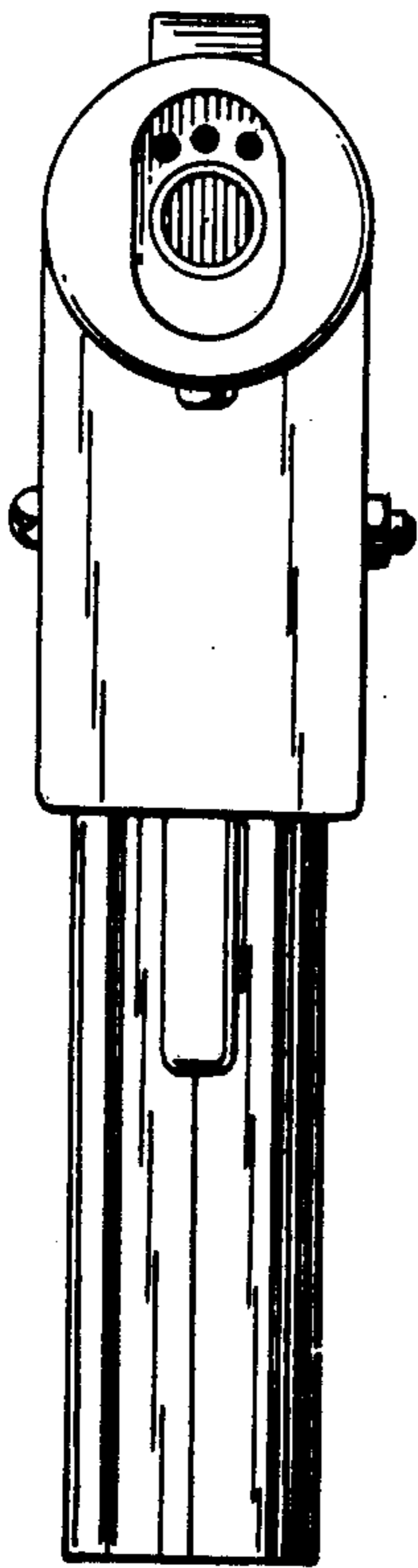


FIG.6.

