

[54] **BOOT SCRAPER FOR ATTACHMENT TO SKIIS**

[76] Inventor: **J. William Harper**, 4145 Via Marina, No. 318-7, Marina del Rey, Calif. 90291

[**] Term: **14 Years**

[21] Appl. No.: **717,443**

[22] Filed: **Aug. 24, 1976**

[51] Int. Cl. **D7-05**

[52] U.S. Cl. **D7/182**

[58] **Field of Search** D7/161, 181, 182, 183, D7/184, 185; 15/236 R, 237, 238, 239, 240, 241; 30/169; 280/11.37 E, 11.37 R, 606, 607, 11.37 T; D34/14 D; D4/22

[56] **References Cited**

U.S. PATENT DOCUMENTS

D. 213,906 4/1969 Moore et al. D7/182
D. 242,838 12/1976 Vilsack D7/181

1,223,064 4/1917 Meader 15/236 R
3,284,091 11/1966 Spier 15/237 X
3,826,518 7/1974 Hennig 280/11.37 E X
3,999,773 12/1976 Shuttleworth 15/237 X

FOREIGN PATENT DOCUMENTS

644,499 10/1928 France 15/238
2,450,096 4/1976 Germany 280/11.37 E

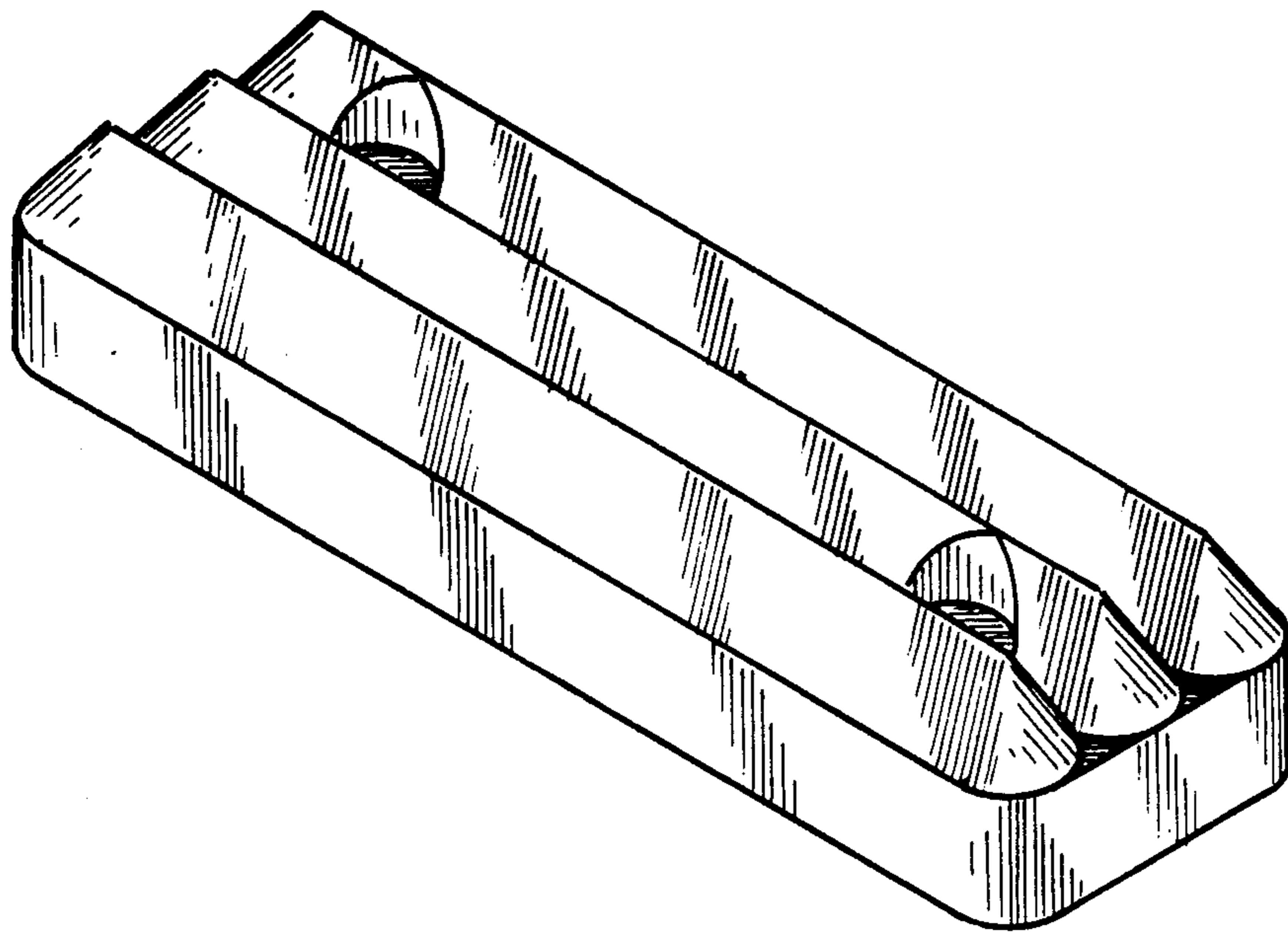
Primary Examiner—Wallace R. Burke
Assistant Examiner—Catherine E. Kemper
Attorney, Agent, or Firm—Robert M. Ashen

[57] **CLAIM**

The ornamental design for a boot scraper for attachment to skiis, substantially as shown and described.

DESCRIPTION

FIG. 1 is a plan view of a boot scraper for attachment to skiis showing my new design;
FIG. 2 is a front elevational view thereof;
FIG. 3 is a bottom plan view thereof;
FIG. 4 is a side elevational view thereof;
FIG. 5 is an isometric view of my new design.



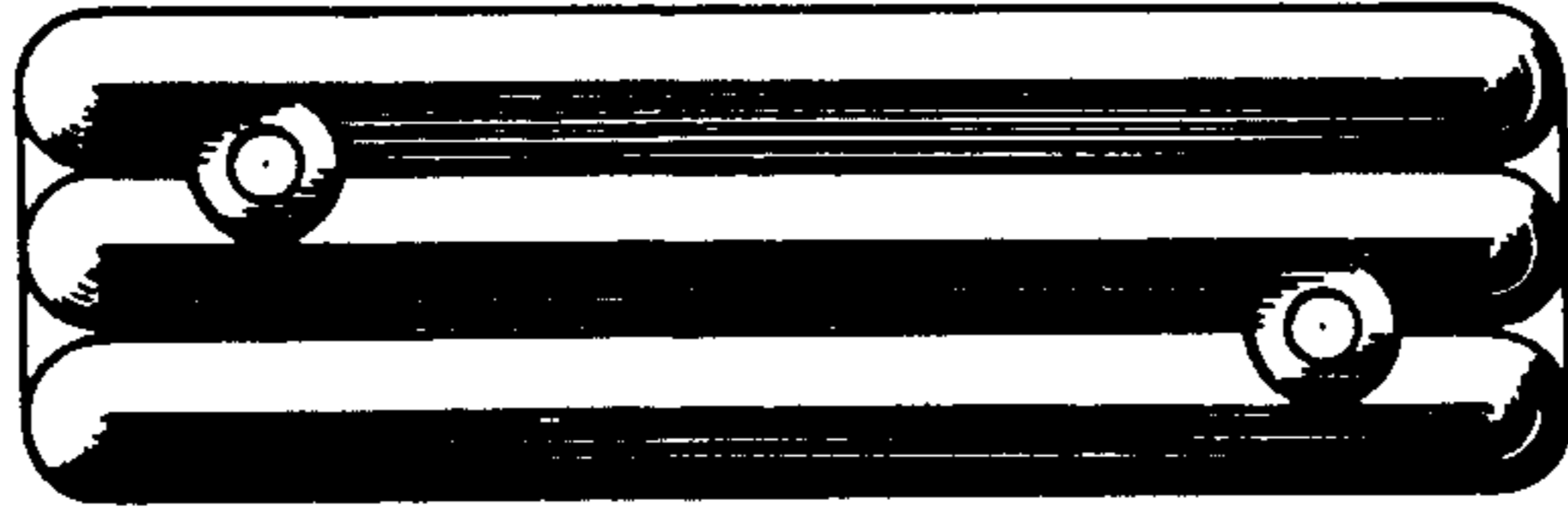


FIG. 1

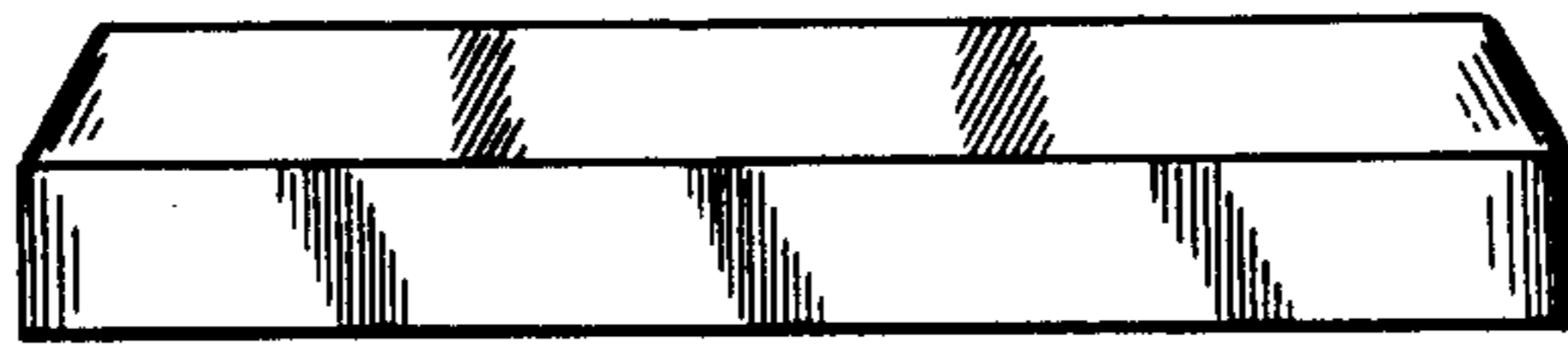


FIG. 2



FIG. 3



FIG. 4

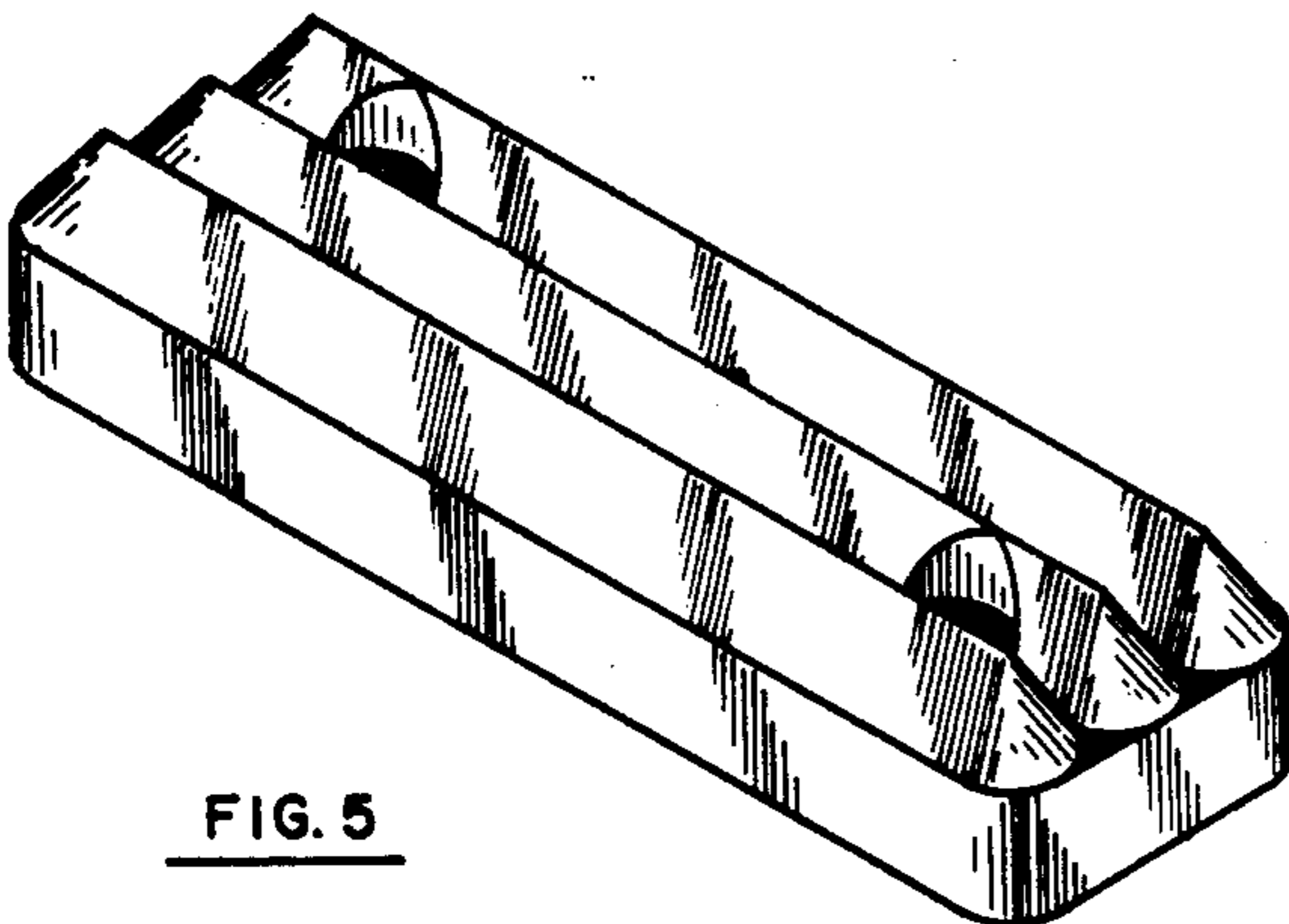


FIG. 5