

[54] **DISPENSING APPARATUS FOR COMESTIBLES OR SIMILAR ARTICLE**

[75] Inventors: **Donald E. Watkins**, Parma; **Marshall B. Johnson**, Chillicothe, both of Ohio

[73] Assignee: **Aluminum Company of America**, Pittsburgh, Pa.

[**] Term: **14 Years**

[21] Appl. No.: **694,300**

[22] Filed: **Jun. 9, 1976**

[51] Int. Cl. **D7-04; D8-05**

[52] U.S. Cl. **D7/99**

[58] Field of Search **D7/99, 52, 106; D8/14.1; 222/390, 333**

[56] **References Cited**

U.S. PATENT DOCUMENTS

D. 238,243	12/1975	Polivka	D8/14.1
3,208,638	9/1965	Frenzel et al.	222/390 X
3,254,806	6/1966	Madsen	222/390 X
3,861,567	1/1975	Davis, Jr.	222/333

Primary Examiner—Alan P. Douglas
Attorney, Agent, or Firm—Patrick J. Viccaro

[57] **CLAIM**

The ornamental design for a dispensing apparatus for comestibles or similar article, substantially as shown and described.

DESCRIPTION

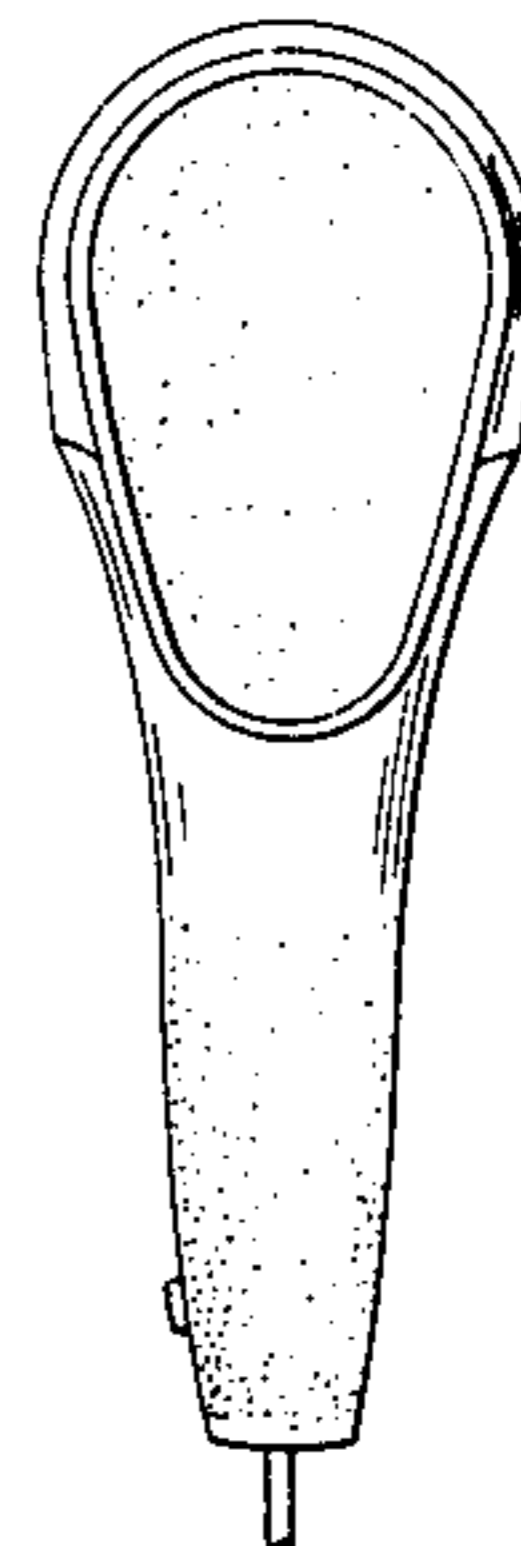
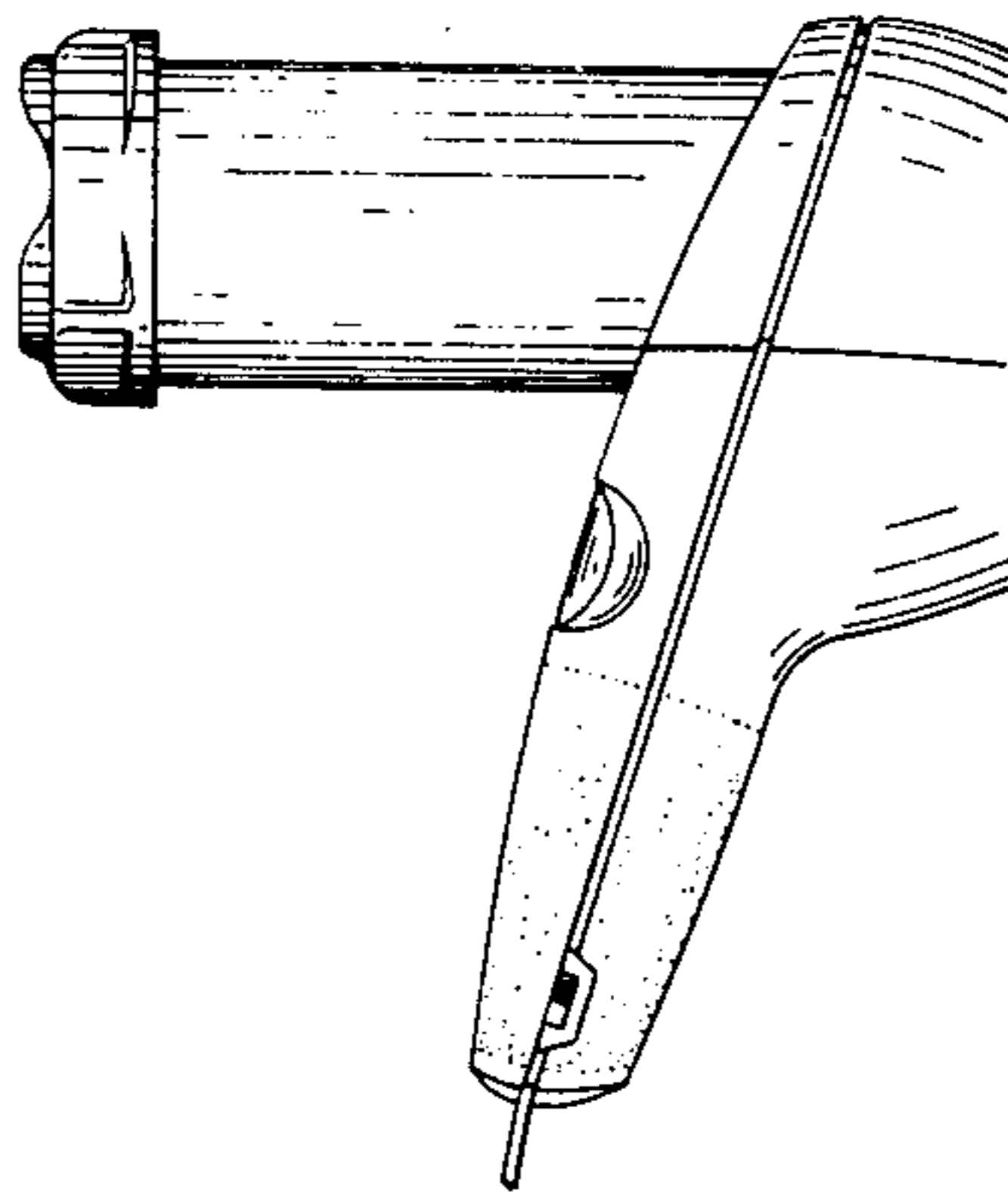
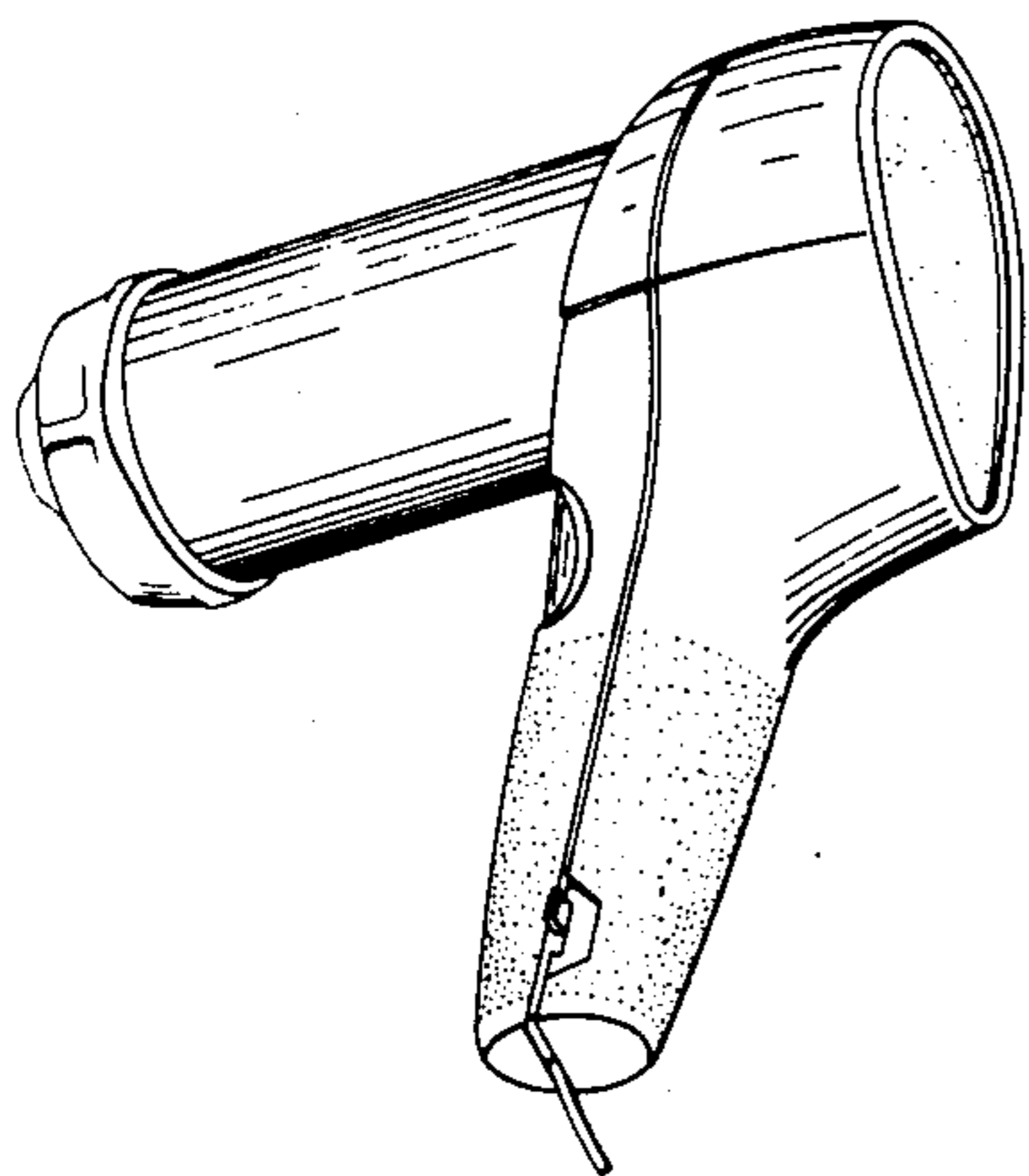
FIG. 1 is a perspective view of a design for a dispensing apparatus for comestibles or similar article.

FIG. 2 is a top plan view.

FIG. 3 is a front elevation view.

FIG. 4 is a side elevation view.

FIG. 5 is a back elevation view.



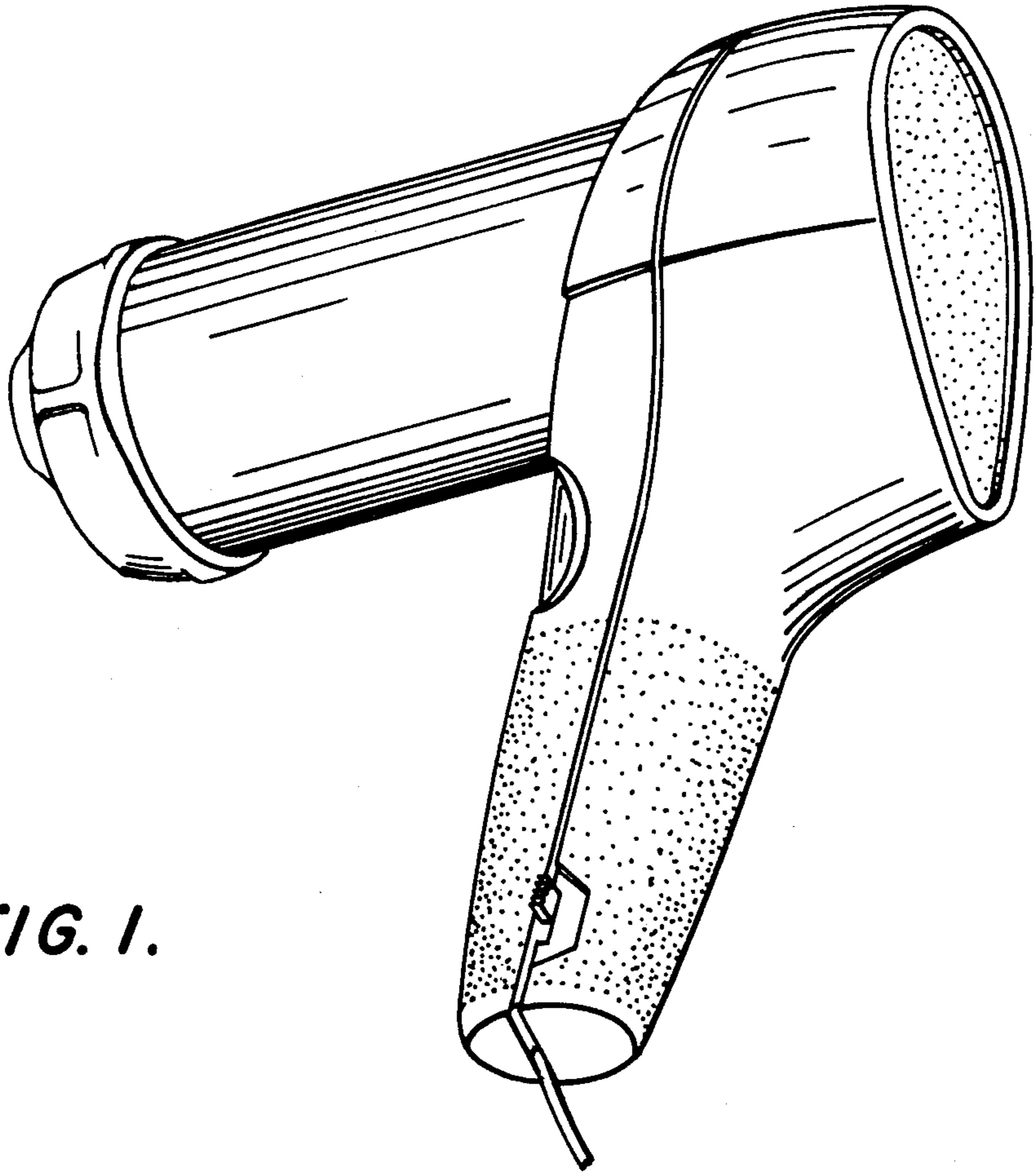


FIG. 1.

FIG. 2.

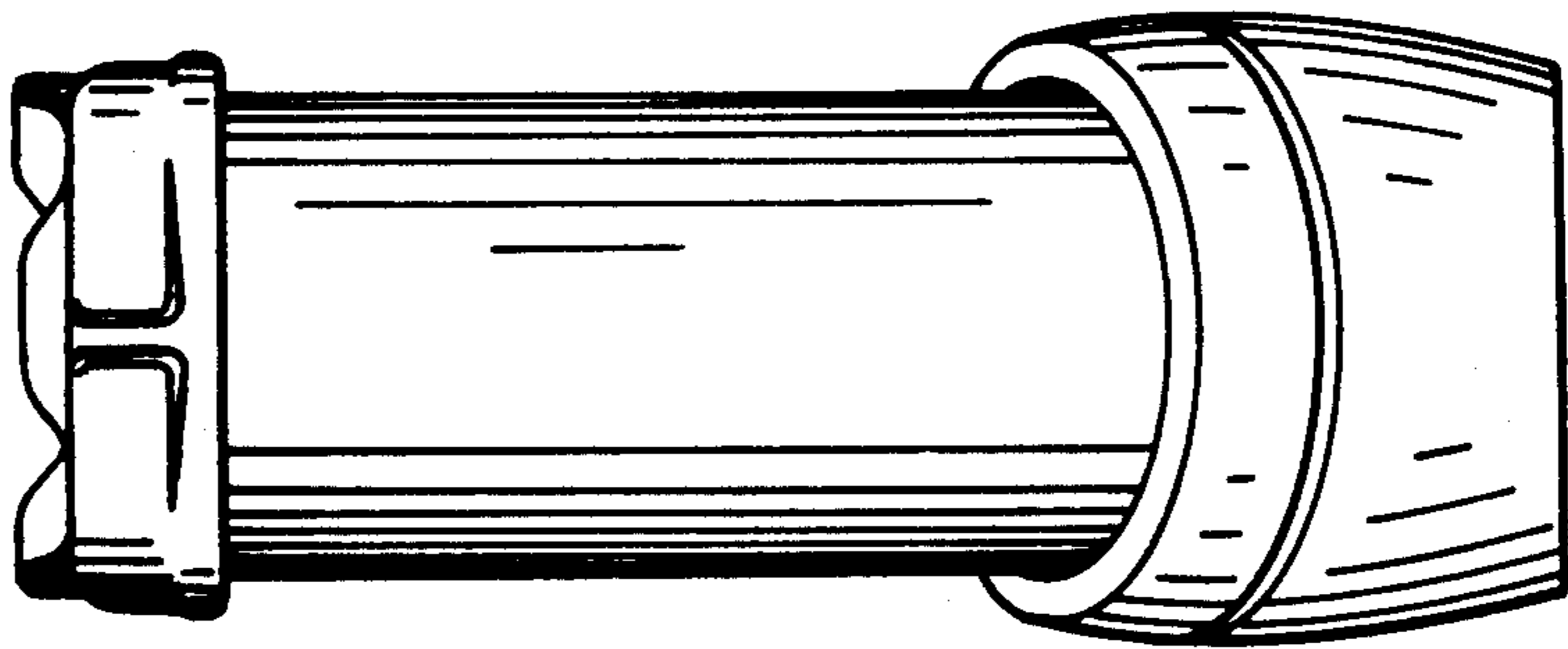


FIG. 3.

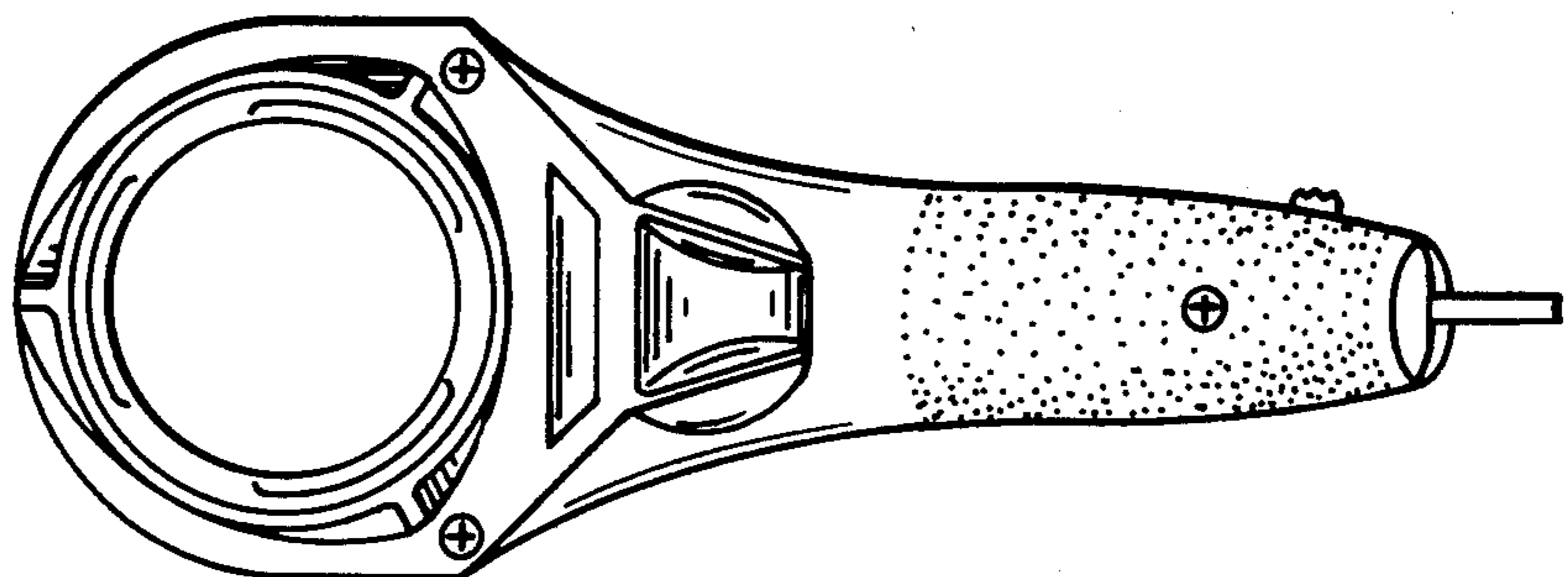


FIG. 4.

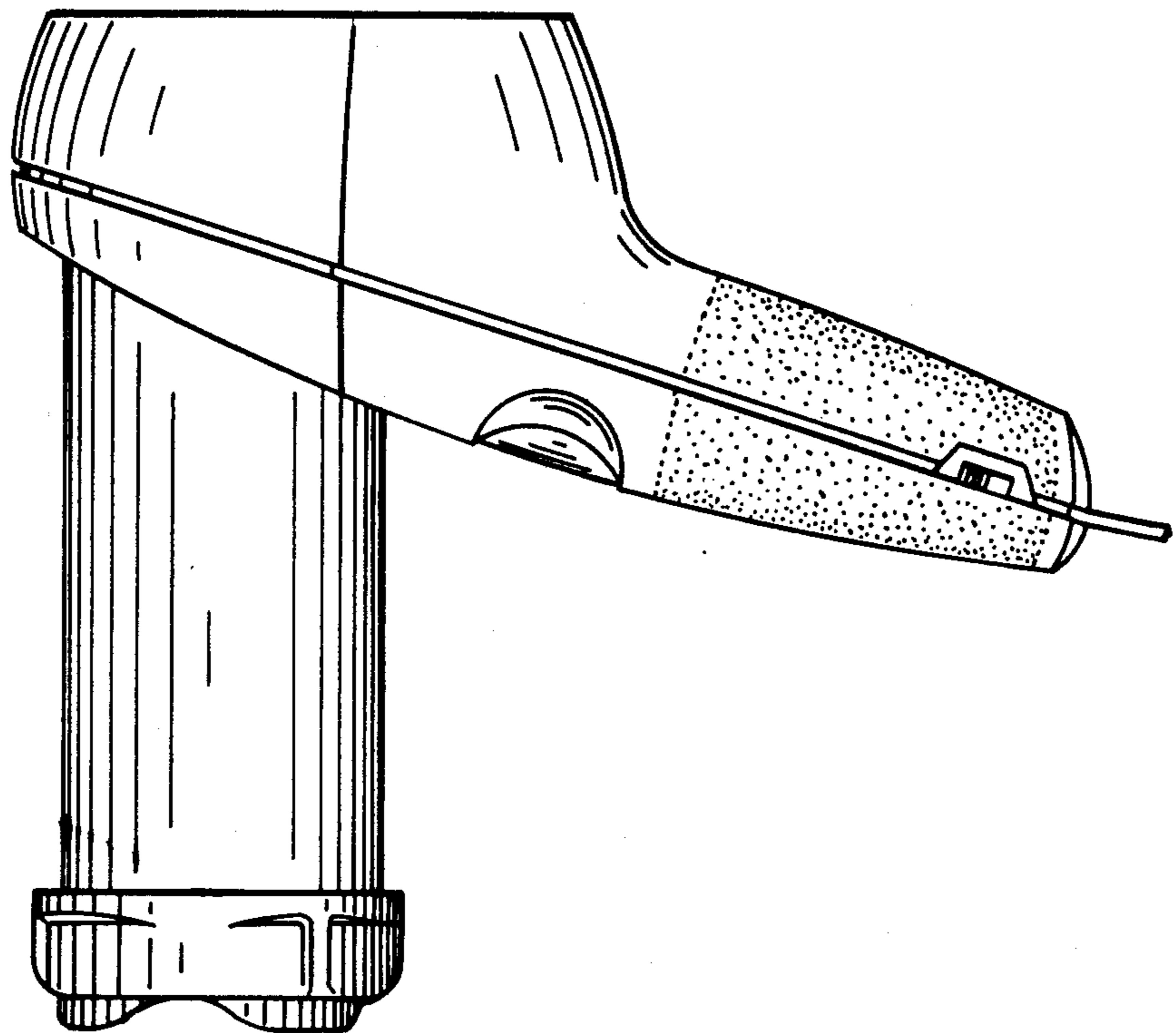
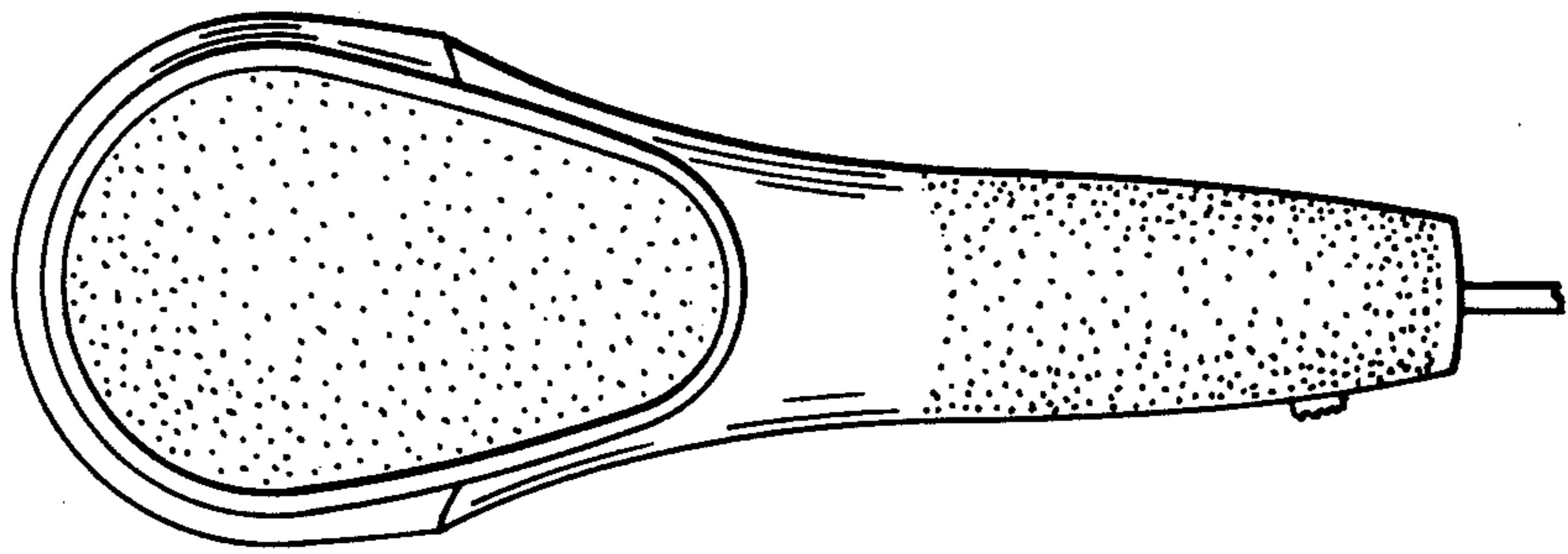


FIG. 5.



UNITED STATES PATENT AND TRADEMARK OFFICE
CERTIFICATE OF CORRECTION

PATENT NO. : D-247,414
DATED : March 7, 1978
INVENTOR(S) : Donald E. Watkins et al

It is certified that error appears in the above-identified patent and that said Letters Patent are hereby corrected as shown below:

[73] Assignee:

Change "Aluminum Company of America,
Pittsburgh, Pa." to
--Wear-Ever Aluminum, Inc.,
Chillicothe, Ohio--

Signed and Sealed this

Sixth Day of June 1978

[SEAL]

Attest:

RUTH C. MASON
Attesting Officer

DONALD W. BANNER
Commissioner of Patents and Trademarks