

[54] **HOLDER FOR A BREAD TOASTER**

[76] Inventor: **Marshall Hamilton, 240 Bowman Dr., Newport, Tenn. 37821**

[**] Term: **14 Years**

[21] Appl. No.: **657,730**

[22] Filed: **Feb. 13, 1976**

[51] Int. Cl. **D7-06**

[52] U.S. Cl. **D7/91**

[58] Field of Search **D7/129, 131, 21, 82, D7/83, 91, 72; 211/49 R, 42, 11, 50; 99/402, 448, 450, 387**

[56] **References Cited**

U.S. PATENT DOCUMENTS

- D. 154,763 8/1949 Fresco D7/21
- D. 175,567 9/1955 Richland D7/129

- D. 195,687 7/1963 Petroff D7/129
- D. 216,347 12/1969 Domshy D7/129
- 2,323,892 7/1943 Bricker 211/42
- 2,630,213 3/1953 Finkel 220/306 X
- 3,308,748 3/1967 Jalbert 99/448 X
- 3,683,792 8/1972 Groves, Jr. et al. 99/450

Primary Examiner—Winifred E. Herrmann

[57] **CLAIM**

The ornamental design for a holder for a bread toaster, substantially as shown and described.

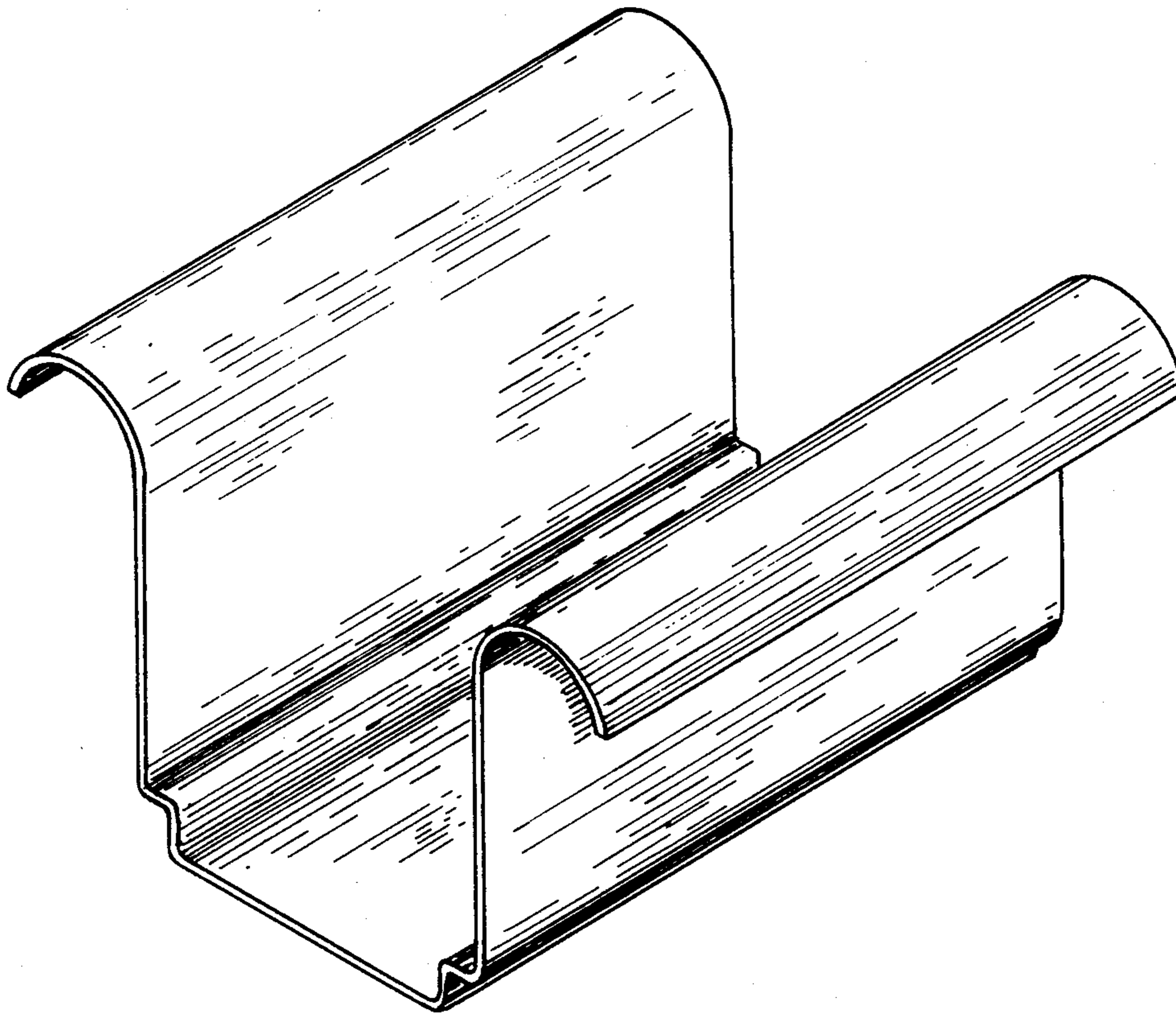
DESCRIPTION

FIG. 1 is a top plan view of a holder for a bread toaster showing my new design;

FIG. 2 is a bottom plan view thereof;

FIG. 3 is an end elevational view thereof, both ends being identical; and

FIG. 4 is a perspective view thereof.



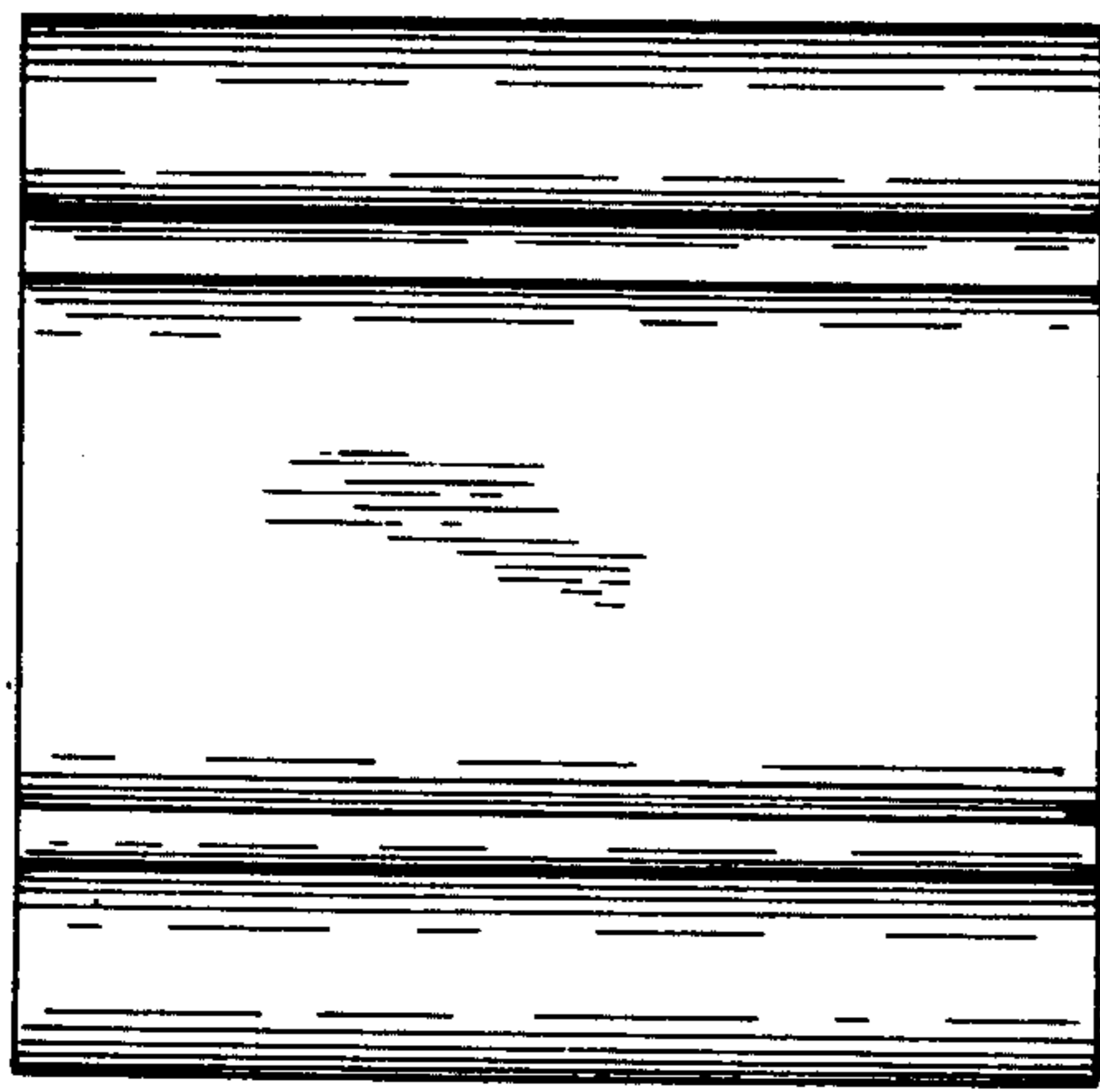


Fig. 1

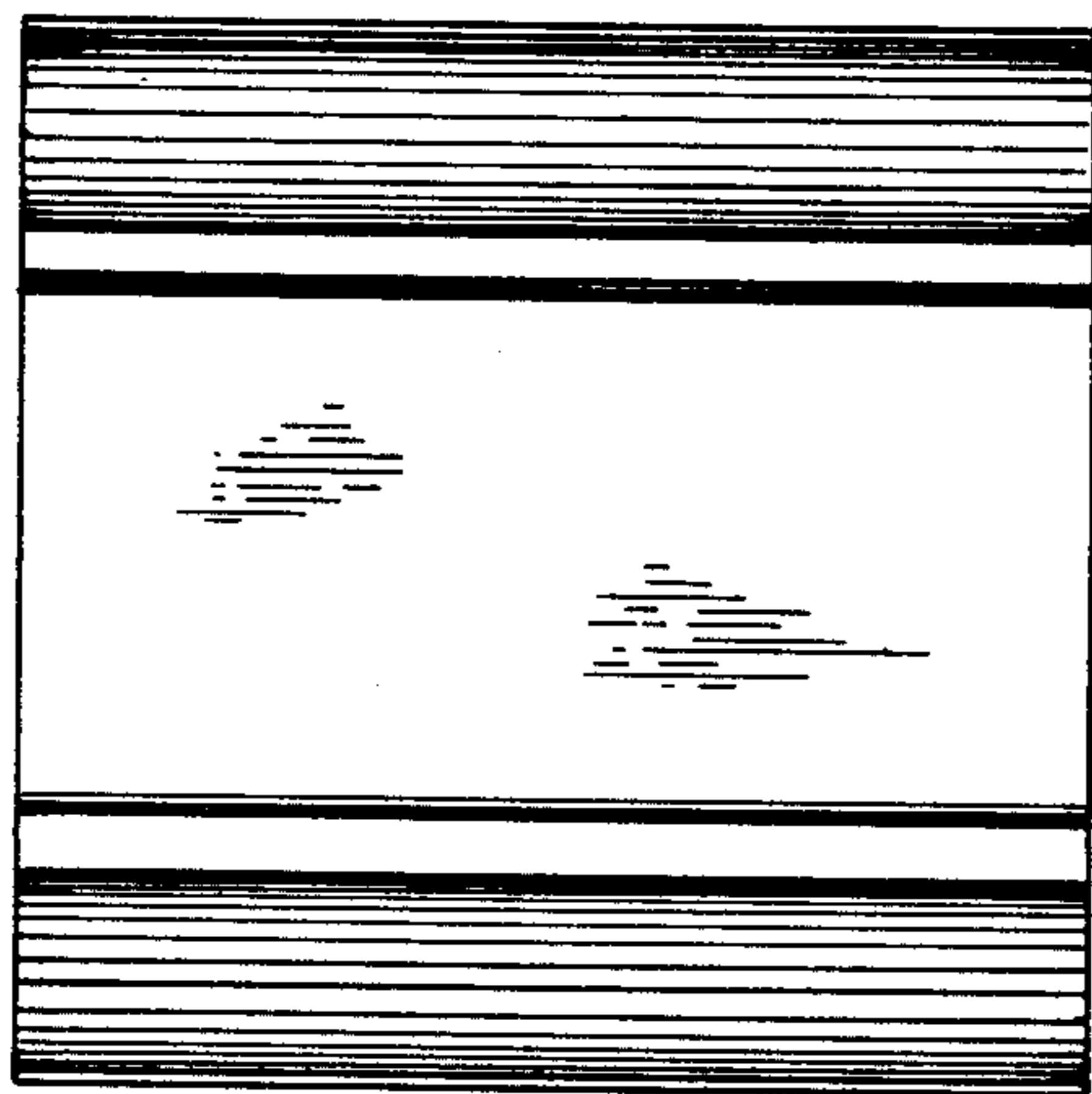


Fig. 2

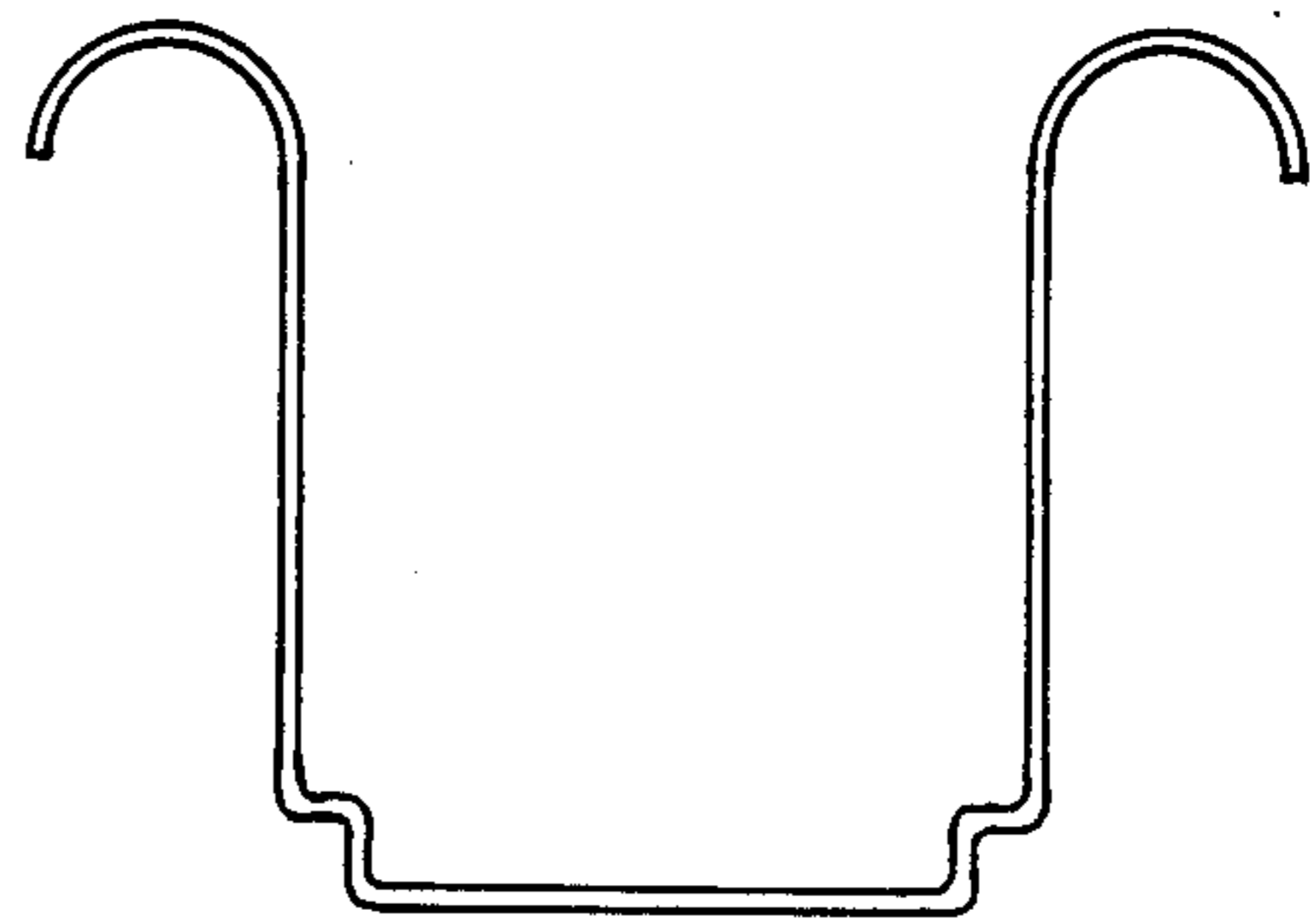


Fig. 3

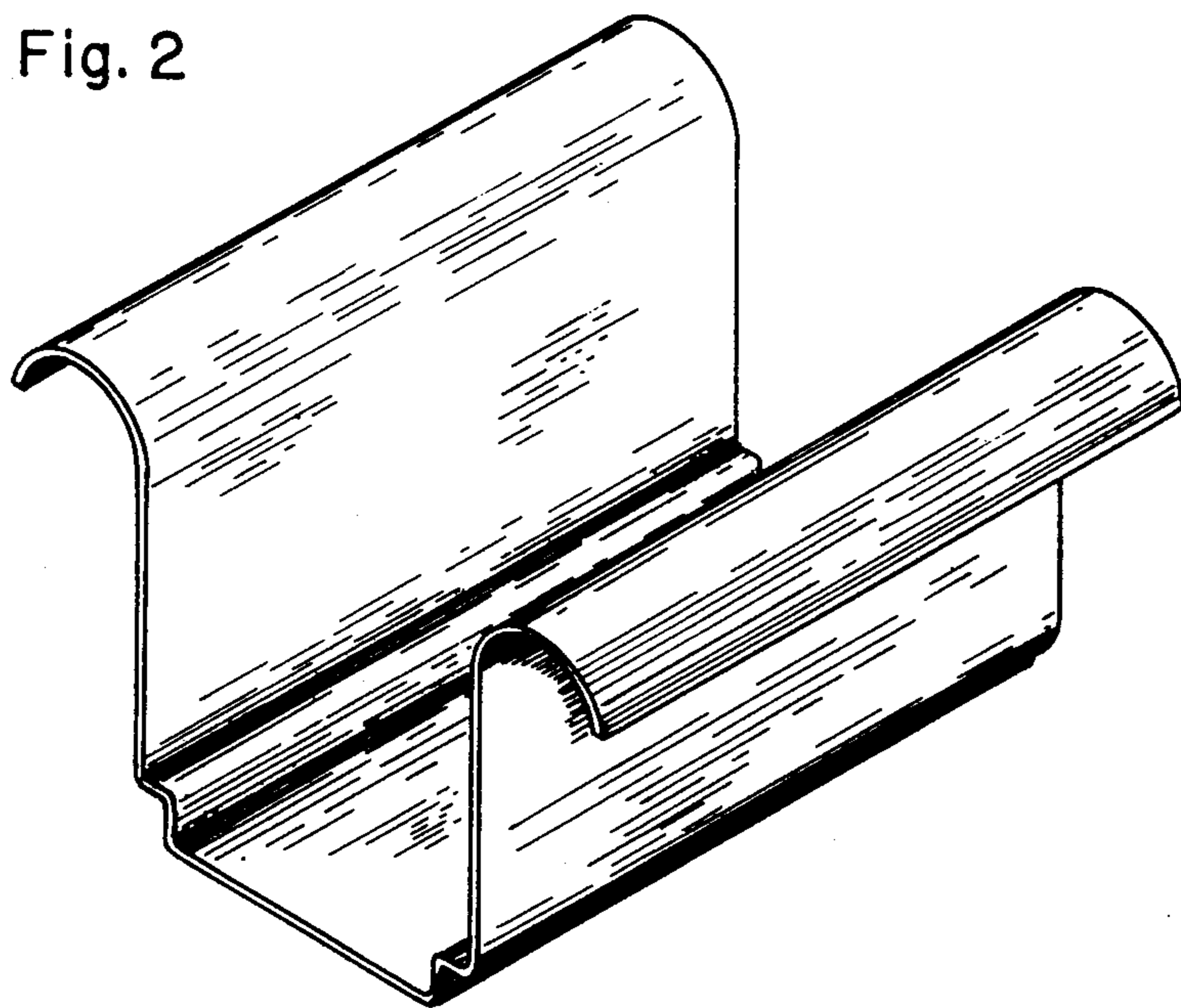


Fig. 4